

DREXEL®

MODEL FL40/60 EX

EXPLOSION-PROOF

4,000 LB (1,814KG) AND

6,000 LB (2,722KG) CAPACITY

STANDARD FEATURES

- Four-Wheel Configuration - Front Wheel Drive; Rear Wheel Steering
- High Visibility Mast, 2 or 3 Stage
- 36 Volt Electrical System
- Adjustable Driver's Seat
- Safety Seat Switch, Cuts Power
- Seat Belts
- 4-Wheel Brakes - Dual System
- Automatic Return-to-Neutral
- Independent Hand and Seat Actuated Parking Brake
- GE "SCR" Controls
- Quartz Hour Meter
- Hydrostatic Power Steering
- UL "EX" Labeling
- Designed for ANSI-UL 583, TYPE EX (Class 1, Division 1, Group D and Class 2, Division 1, Group G)
- Emergency Power Disconnect Switch
- Type N-150, 3 Contact Charging Receptacle, Type EX
- RFI Suppressed to Mil-SDT-461, Class 3C
- EX Rated Motors
- Static Ground Steer Tires
- Cushion Rubber Drive Tires
- Static Ground Straps
- Brass Clad Forks and Load Backrest
- Overhead Guard
- Fire Extinguisher
- Electric Horn
- Recessed Rear Tow Pin



OPTIONAL FEATURES

The following optional features are the most frequently ordered options that may be "factory installed" to the Models FL-40-EX and/or FL-60-EX Fork Lift Trucks.

- Strobe Warning Light
- Hydraulic Attachments
- Cable Operated Horn
- Electric Backup Alarm
- Battery Compartment Rollers
- 6,800 lb (3,084 KG) Capacity, FL-60 Only
- Side Shifter, 4" (10cm) Either Side of Center
- Folding Forks



LANDOLL CORPORATION

MATERIAL HANDLING PRODUCT DIVISION

WWW.LANDOLL.COM/MHP

MODEL FL-40/60-EX EXPLOSION-PROOF

4,000 LB (1,814KG) AND 6,000 LB (2,722KG) CAPACITY

TECHNICAL & DIMENSION DATA



TECHNICAL DATA

| MODEL | | FL40 | FL60 |
|-----------------------------|---------|---------------|---------------|
| Capacity | lbs/kg | 4,000 / 1,814 | 6,000 / 2,722 |
| Truck Weight | lbs/kg | 7,700 / 3,493 | 8,950 / 4,060 |
| Travel Speed | mph/kph | 4 / 6 | 4 / 6 |
| Lift Speed | fpm/mpm | 34 / 10 | 25 / 8 |
| | fpm/mpm | 53 / 15 | 53 / 15 |
| Lower Speed | fpm/mpm | 56 / 17 | 56 / 17 |
| | fpm/mpm | 52 / 16 | 52 / 16 |
| Mast Tilt | deg | 3 / 4 | 3 / 4 |
| Lost Load Center | E in/cm | 19 / 49 | 19 / 49 |
| Wheelbase | F in/cm | 48 / 122 | 48 / 122 |
| Rear Overhang | G in/cm | 20 / 51 | 24 / 60 |
| Overall Length to Fork Face | H in/cm | 87 / 221 | 91 / 231 |
| Underclearance | I in/cm | 5 / 13 | 5 / 13 |
| Seat Clearance | J in/cm | 39 / 99 | 39 / 99 |
| Overhead Guard Height | K in/cm | 84 / 213 | 84 / 213 |
| Overall Width | L in/cm | 43 / 109 | 43 / 109 |
| Fork Carriage Width | M in/cm | 36 / 91 | 36 / 91 |
| Overall Length Loaded | N in/cm | 87 / 221 | 91 / 231 |
| Battery Height | O in/cm | 48 / 121 | 48 / 121 |
| Rear Grade Clearance | P deg | 15° | 11° |
| Center Grade Clearance | Q deg | 12° | 12° |
| Overhead Guard Width | R in/cm | 40 / 102 | 40 / 102 |
| Load Backrest Height | S in/cm | 48 / 122 | 48 / 122 |
| Turning Radius | T in/cm | 85 / 216 | 89 / 226 |
| Fork Size (Standard) | in | 2x4x42 | 2x4x42 |
| ITA CLASS III | cm | 5x11x107 | 5x11x107 |
| Gradeability | % | 15% | 15% |
| Wheel Sizes | in | 18x8x12.1 | 18x8x12.1 |
| | cm | 46x20x31 | 46x20x31 |
| | in | 16.2x6x11.2 | 16.2x6x11.2 |
| | cm | 41x15x29 | 41x15x29 |

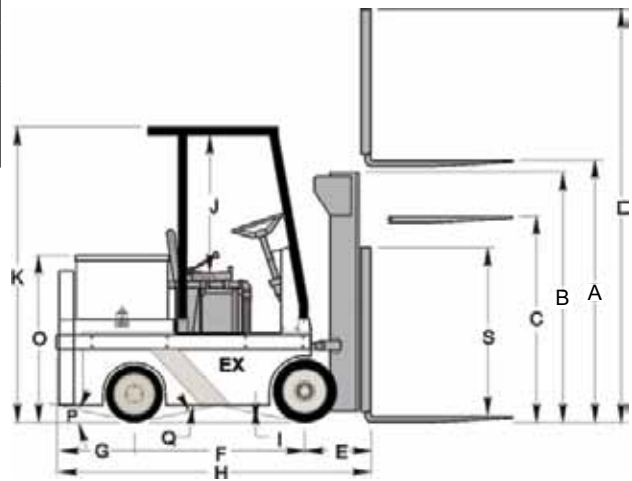
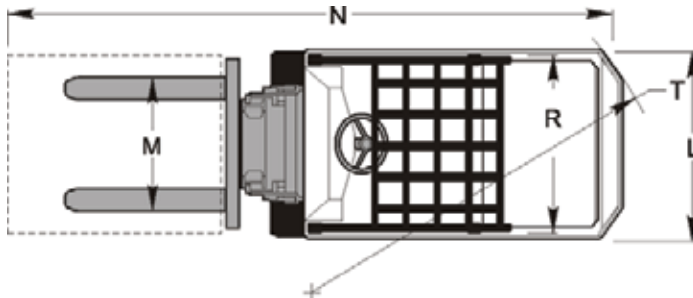
MAST DIMENSIONS

| FL40/60 MAST OPTIONS | | | | | | | |
|-------------------------|--------|----------------------|--------|----------------------|--------|-------------------------|--------|
| Max. Fork Height (A) | | Collapsed Height (B) | | Free Lift Height (C) | | Max. Overall Height (D) | |
| Inches | Meters | Inches | Meters | Inches | Meters | Inches | Meters |
| Dual Mast FL40 | | | | | | | |
| 106 | 269 | 71 | 180 | 47 | 119 | 154 | 391 |
| 130 | 330 | 83 | 211 | 59 | 150 | 178 | 452 |
| Dual Mast FL60 | | | | | | | |
| 114 | 269 | 77 | 196 | 51 | 130 | 162 | 412 |
| 130 | 330 | 87 | 221 | 61 | 155 | 178 | 452 |
| Triple Mast FL40 | | | | | | | |
| 152 | 386 | 71 | 180 | 47 | 120 | 200 | 508 |
| 170 | 432 | 77 | 196 | 53 | 135 | 218 | 554 |
| 188 | 578 | 83 | 210 | 59 | 150 | 236 | 599 |
| 198 | 503 | 87 | 221 | 63 | 160 | 246 | 625 |
| 216 | 549 | 95 | 241 | 71 | 180 | 264 | 671 |
| 236 | 600 | 103 | 262 | 79 | 201 | 284 | 721 |
| Triple Mast FL60 | | | | | | | |
| 149 | 379 | 71 | 180 | 45 | 114 | 197 | 500 |
| 167 | 424 | 77 | 196 | 51 | 130 | 215 | 546 |
| 185 | 470 | 83 | 210 | 57 | 145 | 233 | 592 |
| 196 | 498 | 87 | 221 | 61 | 155 | 244 | 620 |
| 214 | 545 | 95 | 241 | 69 | 175 | 262 | 666 |
| 234 | 594 | 103 | 262 | 77 | 196 | 282 | 716 |

Above dimensions are based on a 3" (7.6cm) Mast Underclearance.

RECOMMENDED BATTERY

| |
|--|
| Battery Designation: 18-85-19 EX with Anderson Type N-150, 3 contact charging receptacle Type EX |
| 36 Volt |
| 765 Amp Hours |
| Nominal size 37-1/8" x 26-1/2" x 25-1/4" (94 x 67 x 64cm) |
| Battery compartment size: 37-5/8" x 27-3/8" (96 x 70cm) |
| Battery weight min. 2,475 lbs (1,123 kg) - max 2,575 lbs. (1,168kg) |
| Dealer will select battery size based on the application. |
| Usage hours will vary with load weight, number of lift cycles, lift height, attachment use and travel distance. (Battery must comply with Landoll "EX" Battery Specification - Drawing number: B-58911.) |



The specifications contained in this spec sheet are subject to change at any time without notice. Actual dimensions and performance data given herein may vary due to manufacturing tolerances.

1900 NORTH STREET • MARYSVILLE, KS 66508 • (800).428.5655 • www.landoll.com/mhp

