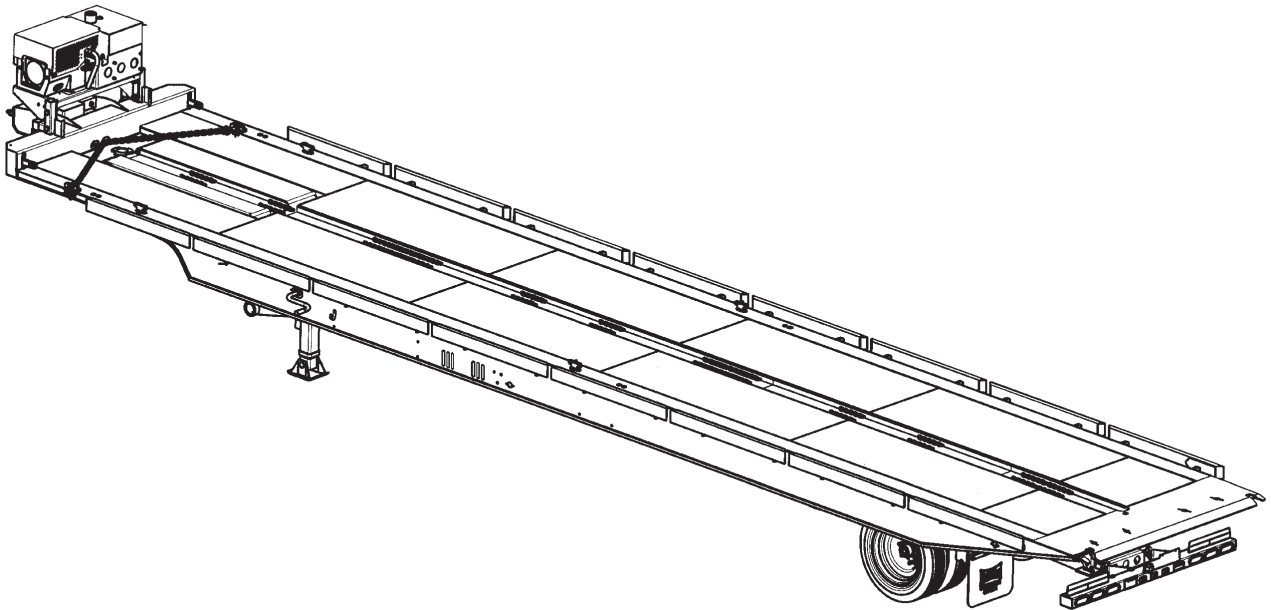




**MODEL 340
SEMITRAILER
PARTS MANUAL**



**1900 North Street
Marysville, KS 66508
(785)562-5381**

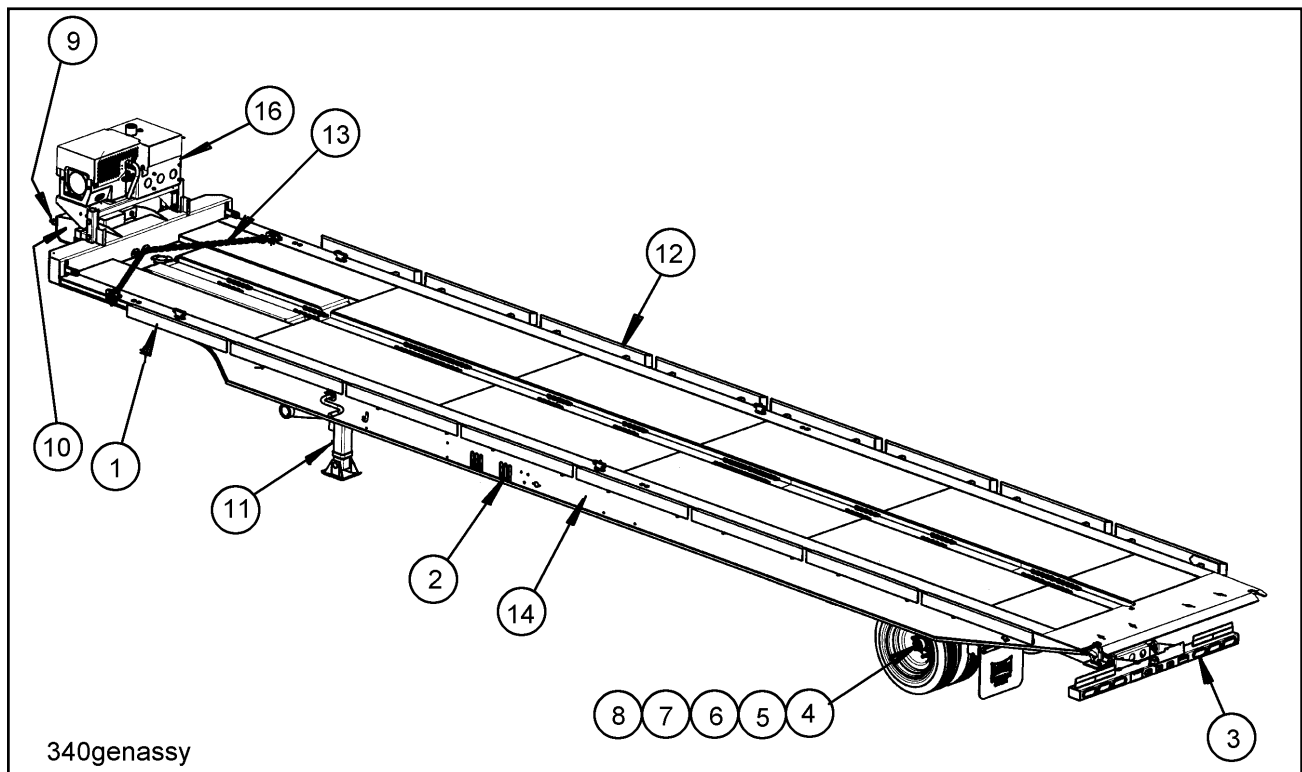
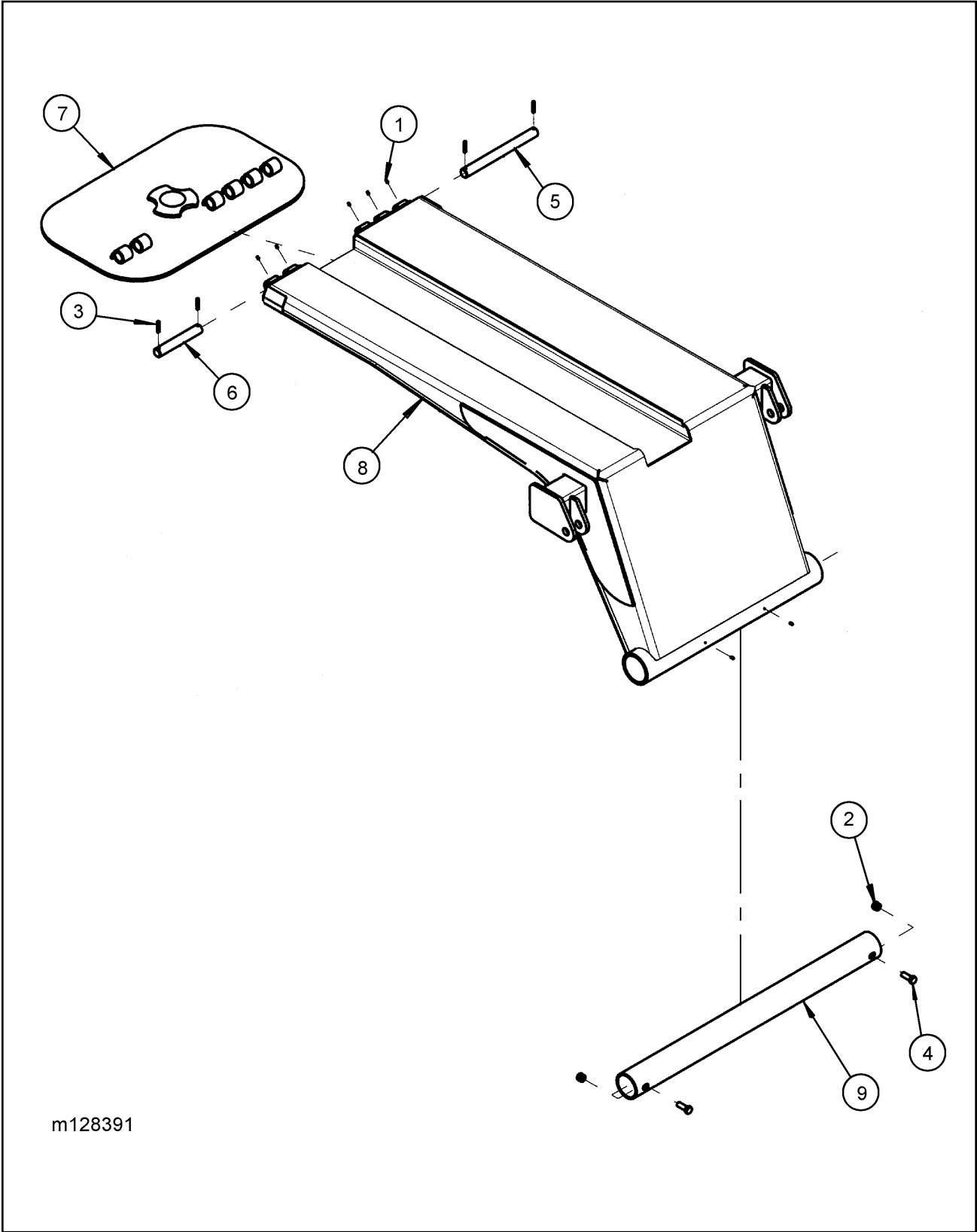


Figure 1-1 General Assembly

GENERAL ASSEMBLY

ITEM	PAGE NO.	DESCRIPTION	QTY.
1	1-2 - 1-3	HITCH INSTALLATION	1
2	1-4 - 1-11	HYDRAULIC ASSEMBLIES	1
3	1-12 - 1-13	ELECTRICAL ASSEMBLIES	1
4	1-14 - 1-17	UNDERCARRIAGE & SUSPENSION - SPRING RIDE	1
5	1-18 - 1-23	UNDERCARRIAGE & SUSPENSION - AIR RIDE	1
6	1-24 - 1-25	AXLE AND BRAKE ASSEMBLY	1
7	1-26 - 1-29	AIR BRAKE SYSTEM	1
8	1-30 - 1-31	HUB AND DRUM ASSEMBLY	1
9	1-32 - 1-33	AIR SYSTEM	1
10	1-34 - 1-36	GEAR BOX ASSEMBLIES	1
11	1-37 - 1-39	LANDING GEAR ASSEMBLIES	1
12	1-40	PULLOUT ASSEMBLY	1
13	1-41 - 1-46	CONTAINER LOADING ASSEMBLIES	1
14	1-47 - 1-49	DECAL INSTALLATION	AR
15	1-50 - 1-51	TOOLBOX INSTALLATION (OPTION) (NOT SHOWN)	1
16	1-52 - 1-57	AUXILIARY ENGINE DRIVE ASSEMBLIES (OPTION)	1
17	1-58 - 1-59	BULKHEAD INSTALLATION (OPTION) (NOT SHOWN)	1
18	1-60 - 1-61	RADIO REMOTE CONTROL ASSEMBLY (OPTION) (NOT SHOWN)	1
19	1-62 - 1-64	MISCELLANEOUS OPTIONS (NOT SHOWN)	1

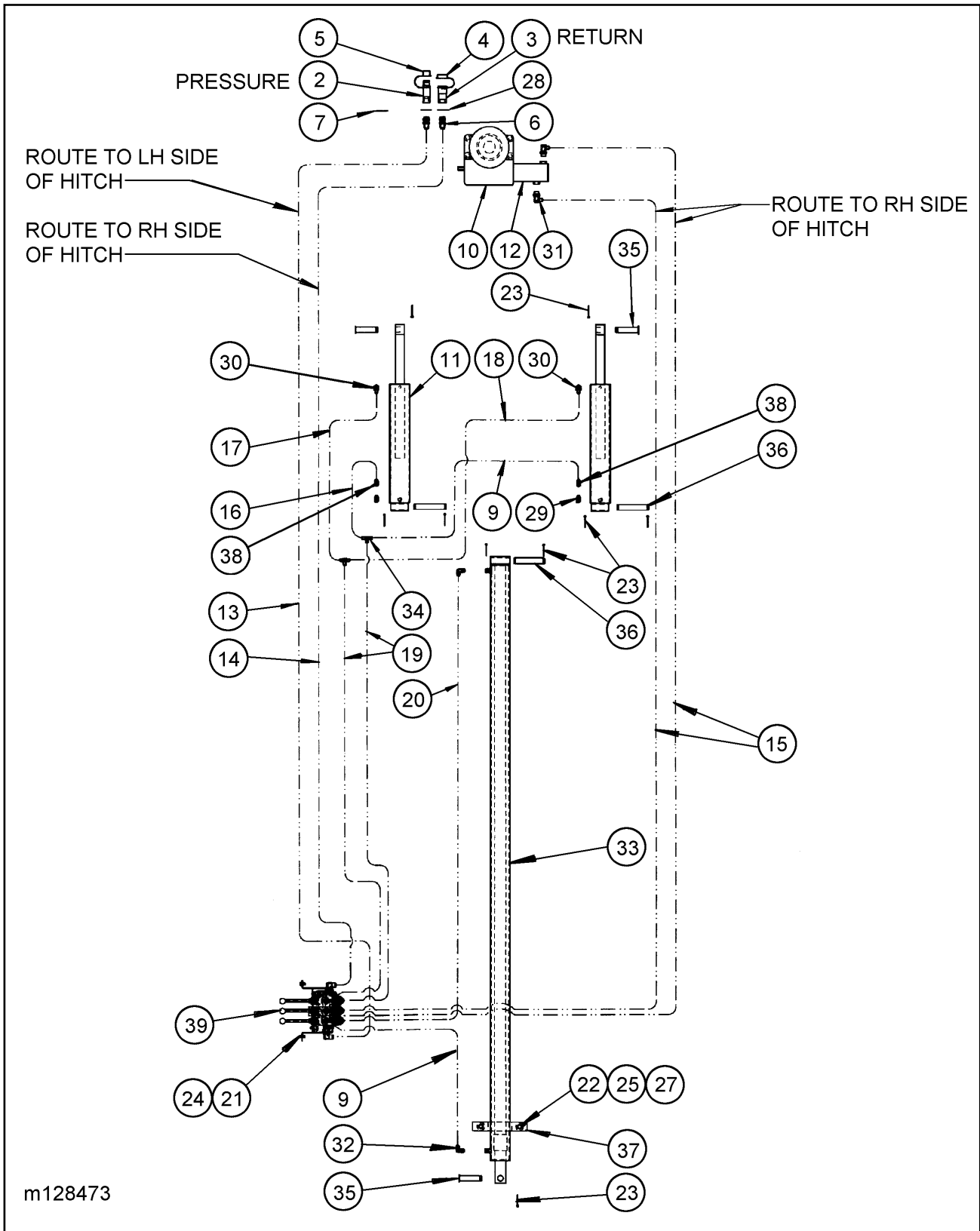


m128391

Figure 1-2 Hitch Installation

HITCH INSTALLATION

ITEM	PART NO.	DESCRIPTION	QTY.
	128391	HITCH INSTALLATION 18 PIN 340	
1	1-298-010001-1	FITTING GRS STR SHORT 1/4-28	7
2	1-512-010005-15	NUT, HEX LOCK 3/4-10 GRB	2
3	1-647-010004255	SPRING PIN SLOTTED 3/8 X 2	4
4	1-654-010061-05	SCREW, HEX HEAD CAP 3/4-10 X 2 GR5	2
5	128210	HINGE PIN FIFTH WHEEL, LONG	1
6	128211	HINGE PIN FIFTH WHEEL, SHORT	1
7	128212	HITCH PLATE, 18" KING PIN	1
8	128323	PIVOT ARM WELDMENT	1
9	128390	PIVOT TUBE	1



m128473

Figure 1-3 Hydraulic System

HYDRAULIC SYSTEM

ITEM	PART NO.	DESCRIPTION	QTY.
	128473	HYDRAULIC INSTALLATION CONTROLS	
1	43028	HOSE WRAP 3/8 (NOT SHOWN)	AR
2	105479	COUPLER, FLAT FACE MALE	1
3	105480	COUPLER, FLAT FACE FEMALE	1
4	105481	COUPLER, DUST CAP MALE	1
5	105482	COUPLER, DUST CAP FEMALE	1
6	105483	ADAPTER BULKHEAD 12JIC-12ORING	2
7	105822	DECAL, HYDRAULIC COUPLER	REF
8	118914	HOSE WRAP SPIRAL 1 ID (NOT SHOWN)	AR
9	121003	HOSE ASSEMBLY 1/2 X 80	2
10	126858	GEARBOX (SEE PAGE 1-36)	REF
11	126972	CYLINDER, WELDED 4 X 20 (SEE PAGE 1-6)	2
12	126973	MOTOR FOR GEARBOX (SEE PAGE 1-35)	REF
13	128470	HOSE ASSEMBLY 3/4 X 290	1
14	128471	HOSE ASSEMBLY 3/4 X 345	1
15	128472	HOSE ASSEMBLY 1/2 X 374	2
16	1-397-010301032	HOSE ASSEMBLY 1/2 X 32	1
17	1-397-010301042	HOSE ASSEMBLY 1/2 X 42	1
18	1-397-010301090	HOSE ASSEMBLY 1/2 X 90	1
19	1-397-010301136	HOSE ASSEMBLY 1/2 X 136	2
20	1-397-010301148	HOSE ASSEMBLY 1/2 X 148	1
21	1-510-010001	NUT, FLANGE LOCK 3/8-16	4
22	1-512-010005-13	NUT, HEX LOCK 5/8-11 GRB	2
23	1-557-010362-54	PIN, COTTER 3/16 X 2-1/4	9
24	1-654-010051-05	SCREW, HEX HEAD CAP 3/8-16 X 1 GR5	4
25	1-654-010059-14	SCREW, HEX HEAD CAP 5/8-11 X 4-1/2 GR5	2
26	1-796-010003-02	TY-WRAP (NOT SHOWN)	AR
27	1-861-010032-19	WASHER FLAT 5/8W	6
28	1-861-010059-21	WASHER, LOCKING INT TOOTH 1-1/8	2
29	2023-8-8S	ADAPTER, 45	2
30	2024-8-8S	ADAPTER, 90	2
31	2062-12-8S	ADAPTER, 90	2
32	2062-8-8S	ADAPTER, 90	2
33	3-242-010185	CYLINDER, HYDRAULIC 4X126 (SEE PAGE 1-7)	1
34	3-299-010016	ADAPTER TEE	2
35	3-557-010032	PIN, CYLINDER U/C	3
36	3-557-010182	PIN, CYLINDER END 1-1/4 X 7-1/8	3
37	3-755-010003	SUPPORT CYL MIDDLE	1
38	3-846-010156	VALVE RESTRICTOR 3/64-ONE WAY (DIRECT REPLACEMENT)	2
39	3-846-010152-01	VALVE ASSEMBLY 3 SPOOL (SEE PAGE 1-9)	1

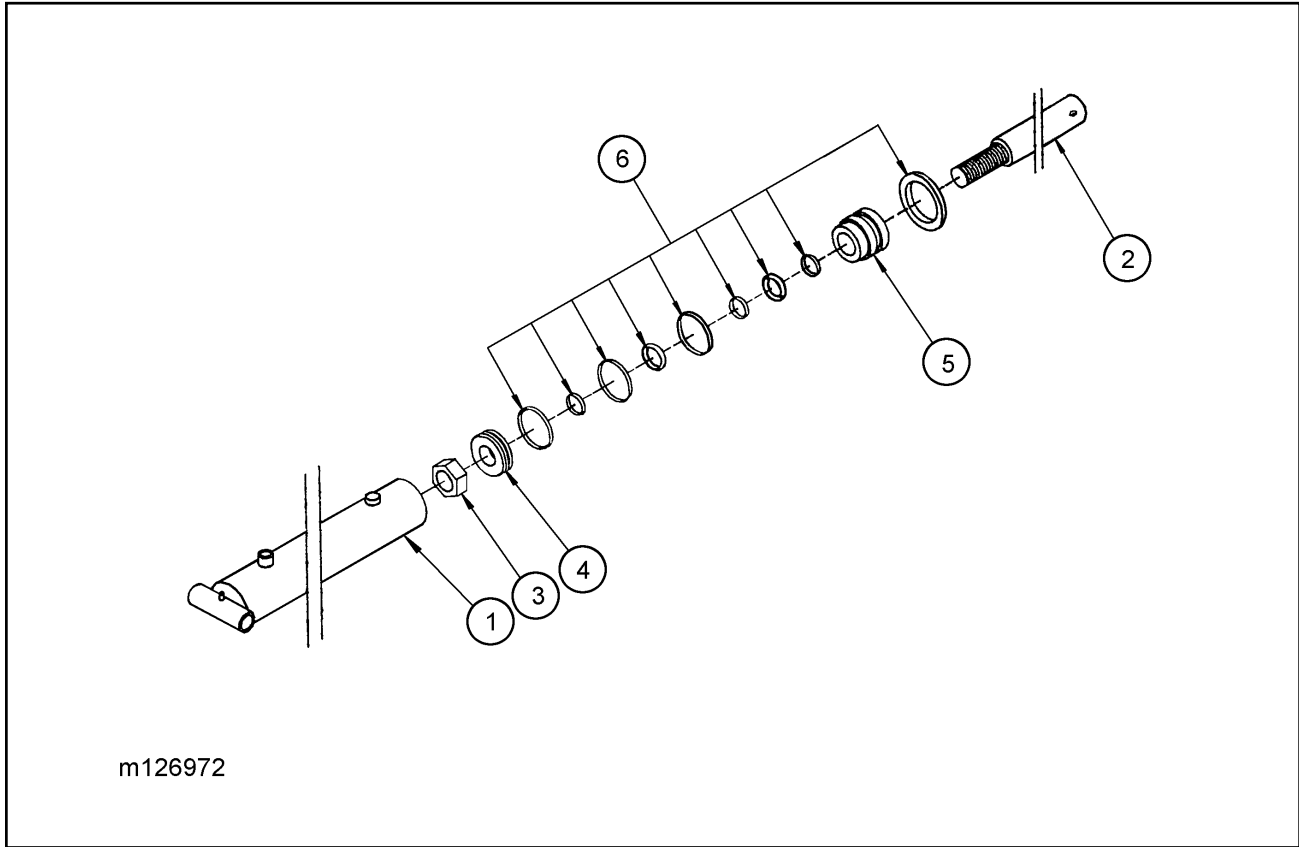


Figure 1-4 4 x 20 Hydraulic Cylinder Assembly

TRAILER TILT CYLINDER

ITEM	PART NO.	DESCRIPTION	QTY.
	126972	CYLINDER, HYDRAULIC 4X20 WELDED	1
1	*	BUTT AND TUBE ASSEMBLY	1
2	129901	PISTON ROD	1
3	220000212	LOCKNUT (1-1/4 - 12)	1
4	071900019	PISTON	1
5	081900019	GLAND	1
6	PMCK-5600	PACKING KIT (CONTAINS ALL NECESSARY SEALS AND O-RINGS)	AIR

* PART NOT SOLD SEPARATELY. REQUIRES PURCHASE OF ENTIRE ASSEMBLY.

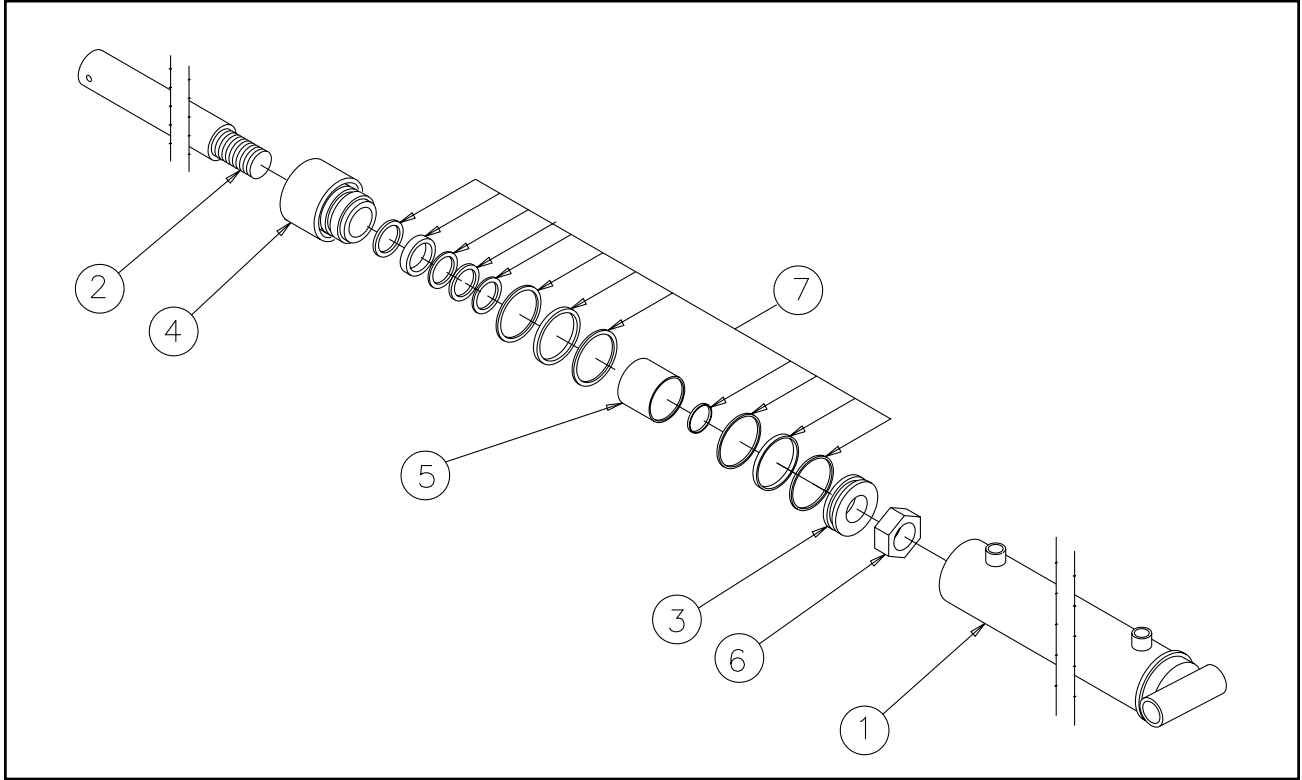
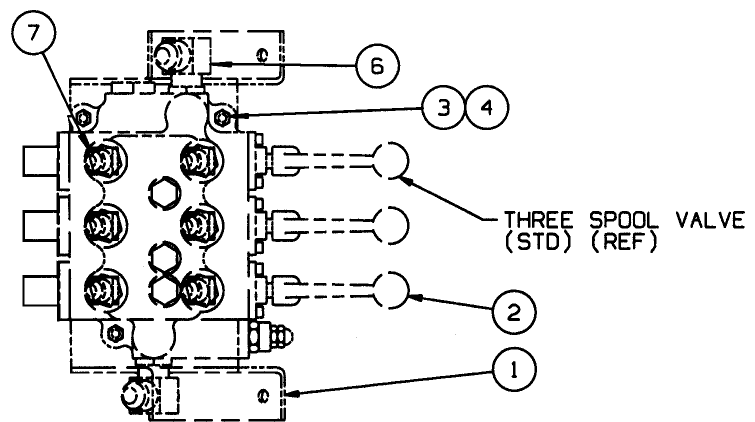
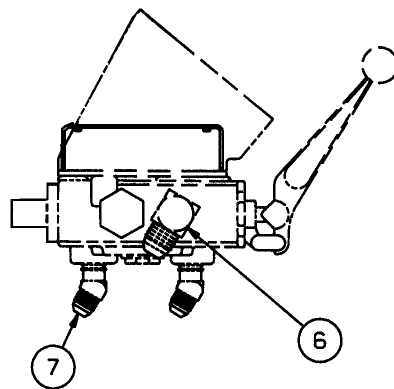
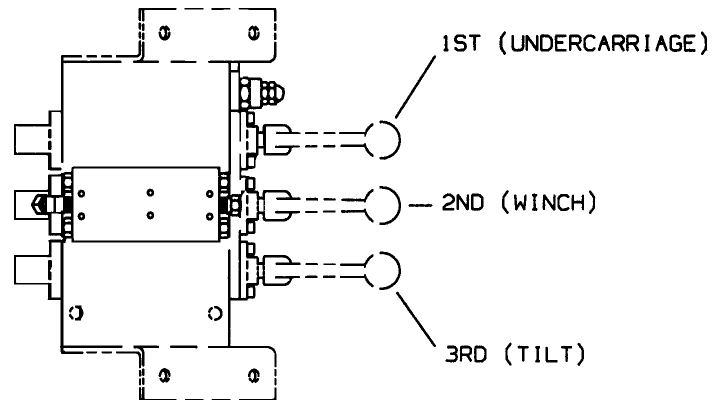


Figure 1-5 Undercarriage Slide Cylinder Assembly

UNDERCARRIAGE SLIDE CYLINDER

ITEM	PART NO.	DESCRIPTION	QTY.
	3-242-010185	CYLINDER, HYDRAULIC 4X126	1
1	*	BUTT AND TUBE ASSEMBLY	1
2	011300179	PISTON ROD	1
3	071900195	PISTON	1
4	081900277	GLAND	1
	230007400	RING SQUARE RETAINING	1
5	211300024	SPACER	1
6	220000212	LOCKNUT PISTON RING	1
7	PMCK-AD-461	PACKING KIT (CONTAINS ALL NECESSARY SEALS AND O-RINGS)	1

* PART NOT SOLD SEPARATELY, REQUIRES PURCHASE OF ENTIRE ASSEMBLY.



3mg846-010152-01

Figure 1-6 Valve Assembly, Three Spool

VALVE ASSEMBLY THREE SPOOL

ITEM	PART NO.	DESCRIPTION	QTY
	3-846-010152-01	VALVE ASSEMBLY 3-SPOOL STANDARD	*
1	3-482-010575	MOUNT WELDMENT VALVE	1
2	3-846-010008	VALVE 3-SPL 2500 PSI (SEE PAGE 1-11)	1
3	1-654-010051-09	SCREW HEX HEAD CAP 3/8-16 GR5	3
4	1-510-010001	NUT FLANGE LOCK 3/8-16	3
6	2062-12-12S	ADAPTER 90	2
7	2061-8-8S	ADAPTER 45	6

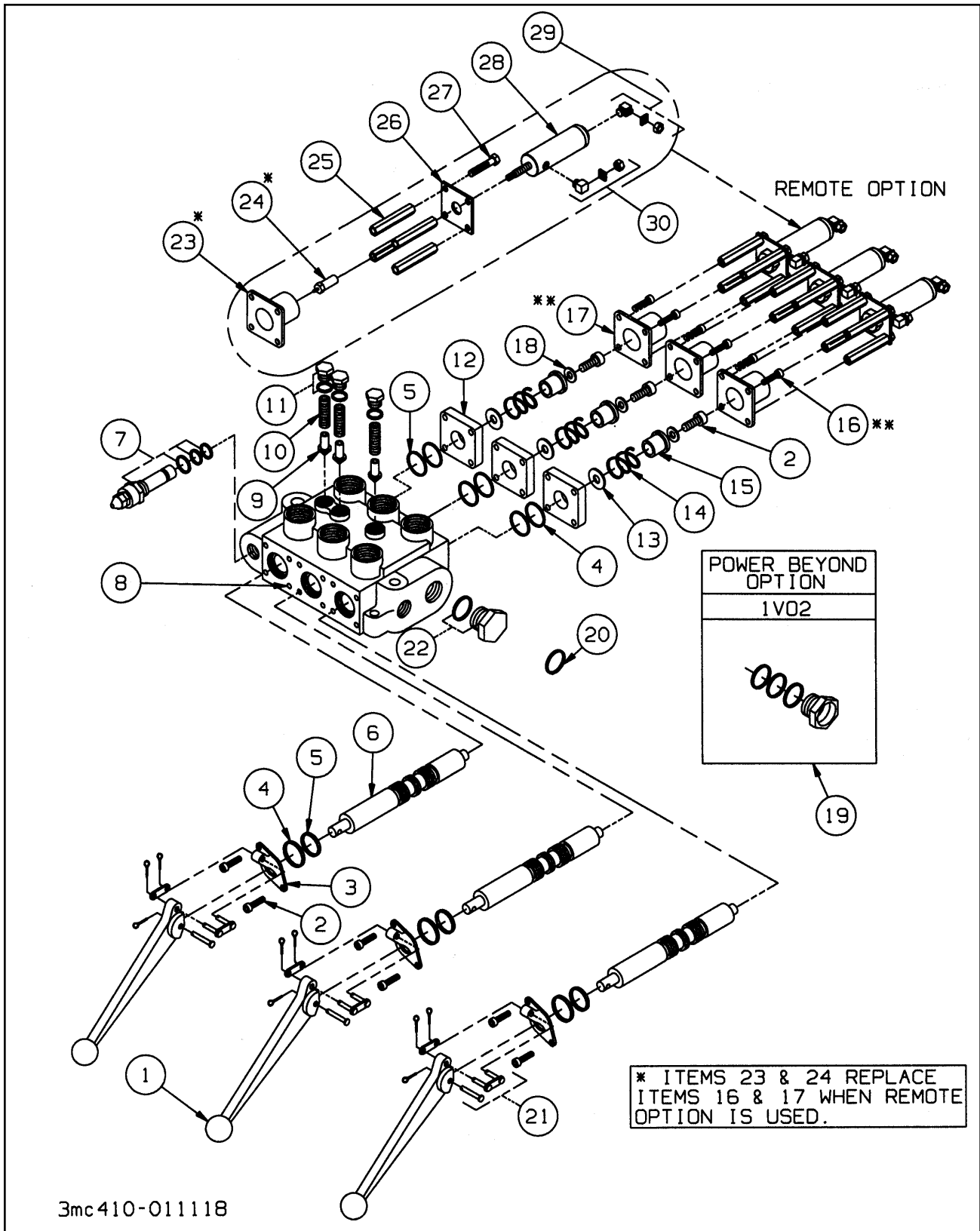


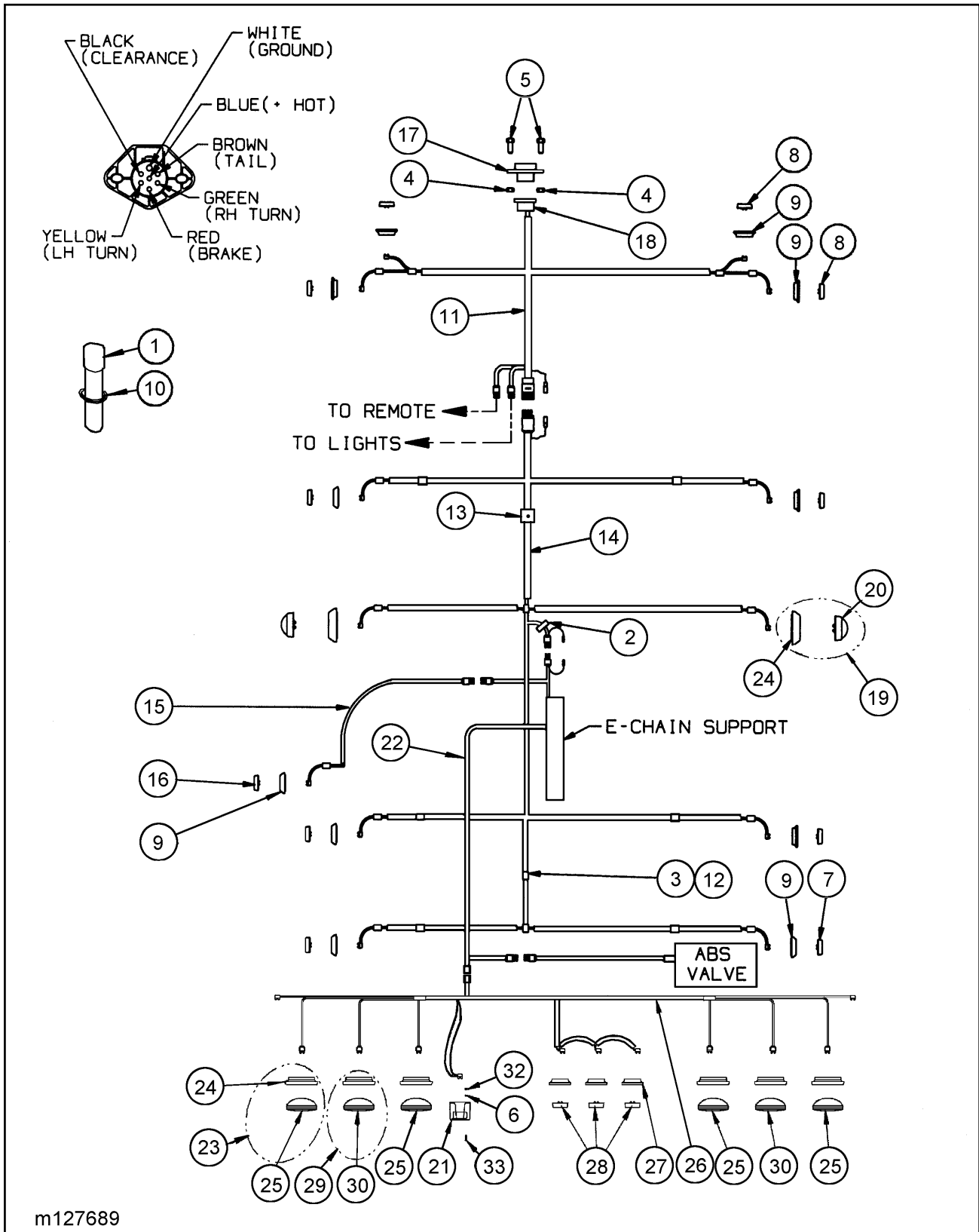
Figure 1-7 Three Spool Valve

THREE SPOOL VALVE

ITEM	PART NO.	DESCRIPTION	QTY.
	3-846-010008	VALVE ASSEMBLY	
1	1V1703	VALVE HANDLE	3
2	2A0079-404	CAP SCREW (TIGHTEN TO 7-11 FT. LBS)	9
3	4Z4306	BRACKET HANDLE	3
4	1A0711	WASHER O-RING SPOOL	6
5	2A0293-7214	SEAL SPOOL	6
6	1V0090	*SPOOL 4-WAY	3
7	1R0017	RELIEF ASSEMBLY (1500-3000 PSI) (PRESET @2500 PSI)	1
8	1V0360	*HOUSING VALVE	1
9	1V0081	POPPET LOAD CHECK	3
10	1A0757	SPRING LOAD CHECK	3
11	1V1725	PLUG LOAD CHECK	3
12	1A0709	SPACER END	3
13	1A0291	WASHER STOP	3
14	1A0744	SPRING CENTERING	3
15	1A0292	COLLAR STOP	3
16**	2A0079-406	CAPSCREW (TIGHTEN TO 7-11 FT. LBS)	12
17**	1A0294	CAP END	3
18	1A0290	WASHER CENTERING SPRING	3
19	1V0208	ADAPTER ASSEMBLY REMOTE POWER BEYOND (CONTAINS ALL NECESSARY O-RING)	1
20	2A293-7214	GROMMET RUBBER (BOTTOM OUTLET)	1
21	1V1701	PIN KIT	3
22	2A0354-121	PLUG CONVERSION	1
23**	3-161-010034	CAP MODIFIED VALVE SPOOL	1
24**	1-007-010029	ADAPTER SWIVEL	4
25	3-711-010055	SPACER	4
26	3-482-010288	MOUNT AIR CYLINDER VALVE	1
27	1-654-010047-02	SCREW HEX CAP 1/4-20 GR5	4
28	3-238-010001	CYLINDER AIR	1
29	1-297-010008-01	FITTING AIR 90	1
30	68CA-2-2	CONNECTOR	1

* SOLD AS MATCHED SET ONLY.

** ITEMS 23 AND 24 REPLACE ITEMS 16 AND 17 WHEN REMOTE OPTION IS USED.



m127689

Figure 1-8 Electrical System Schematic

ELECTRICAL SYSTEM

ITEM	PART NO.	DESCRIPTION	QTY.
	127689	ELECTRICAL INSTALLATION STD	
	127690	ELECTRICAL INSTALLATION LED	
1	1-116-010019	BOX, MANUAL STORAGE	1
2	1-343-010007	GROMMET	1
3	1-510-010001	NUT FLANGE LOCK 3/8-16	6
4	1-512-010005-03	NUT HEX LOCK 5/16-18 GRB	2
5	1-654-010049-06	SCREW HEX HEAD CAP 5/16-18 X 1-1/4 GR5	2
6	1-861-010032-09	WASHER, FLAT 5/16W	4
7	10205R	REFLECTOR LAMP RED	2
	116139	LIGHT RED LED 2.5 CL/MKR	2
8	10205Y	REFLECTOR LAMP YELLOW	8
	116140	LIGHT AMBER LED 2.5 CL/MKR	8
9	10403	GROMMET MOUNT	11
10	105-0093	HOSE CLAMP 4-1/2	1
11	110416	HARNESS ASSEMBLY, FRONT, MAIN	1
12	2-181-010001	HOSE CLAMP	2
13	3-181-010006	HOSE CLAMP	4
14	3-368-010247	HARNESS ASSEMBLY BED	1
15	3-368-010294	HARNESS ABS LAMP	1
16	3-446-010046	LAMP ABS 2.5 DIA AMBER	1
17	59S-7	RECEPTACLE 7 PIN	1
18	59W-2-3	RUBBER BOOT	1
19	60015Y	LIGHT TURN AND CLR. W/ GROMMET (INCL. 20 & 24)	2
20	60215Y	LAMP, TRLR CENTER TURN INDICATOR	2
	94926	PLUG W/ PIGTAIL	2
	111925	LIGHT LED TURN MARKER YELLOW	2
21	15009	LICENSE LAMP	1
	15725	BRACKET	1
	15700	GROMMET	1
	15206	LAMP	1
22	102836	HARNESS ASSEMBLY, E-CHAIN, ABS	1
23	106371	LIGHT, TRN-TL-STOP W/ GROMMET (INCL. 24 & 25)	4
	116131	LIGHT RED STOP-TRN-TL LED	4
24	60700	GROMMET, LIGHT	2
25	60202R	LAMP STOP TAIL 3 X 7 RED	4
26	106652	HARNESS, BUMPER	1
27	107598	GROMMET, RECT. C./MKRLAMP	3
28	107599	LIGHT, RED CLEARANCE	3
	113374	LIGHT, RED LED CLEARANCE	3
29	108647	LIGHT, TRN YELLOW W/ GROMMET (INCL. 24 & 30)	2
	121377	LIGHT, YELLOW STOP/TRN/TL LED	2
30	60202Y	LAMP REAR AMBER TURN	2
	116134	LIGHT YELLOW OVAL TURN	2
	121377	LIGHT, YELLOW LED STT	2
31	114583	HARNESS, MOD LED (NOT SHOWN)	1
32	1-861-010034-07	WASHER SPLIT LOCK #10	2
33	1-656-010003051	SCREW ROUND HEAD MACH #10-24X3/4	2

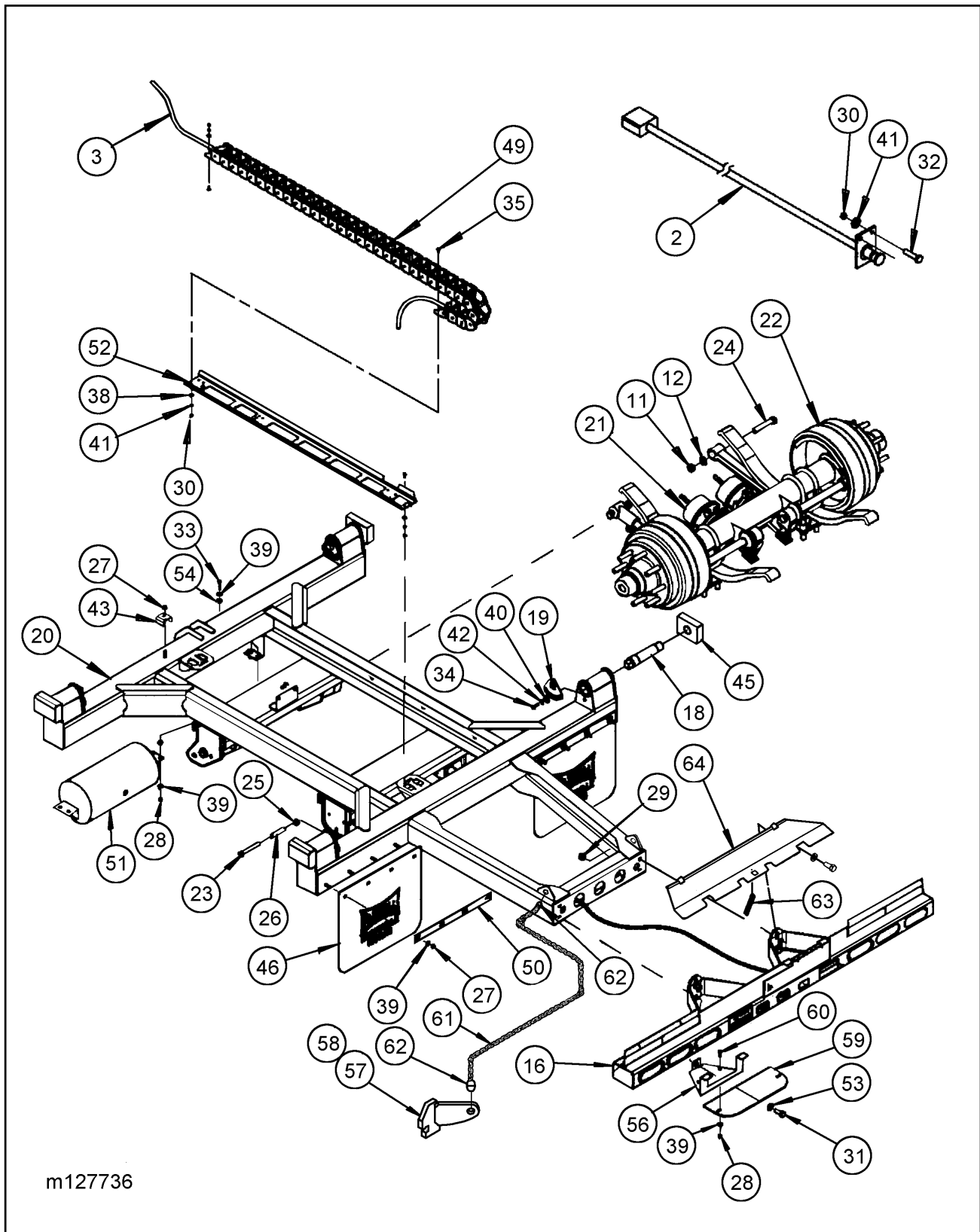
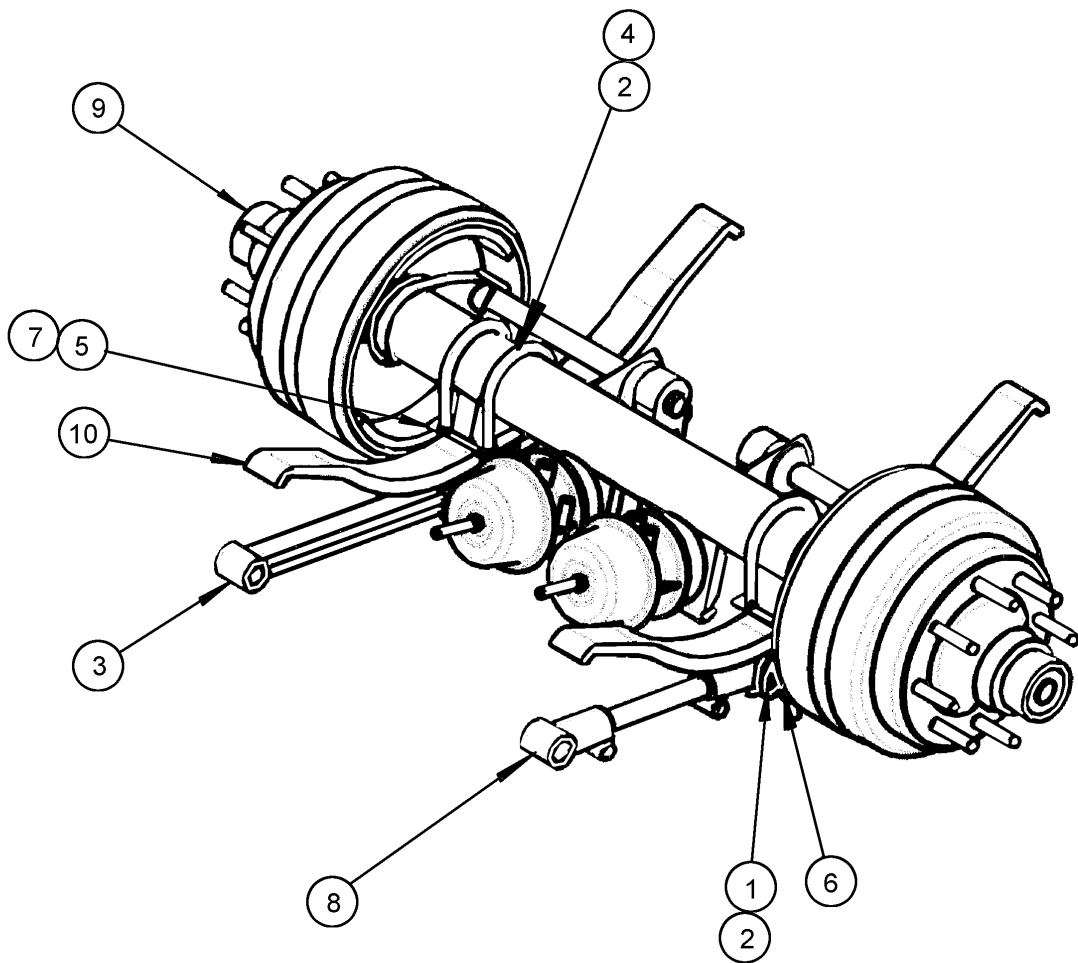


Figure 1-9 Undercarriage Assembly - Spring Ride
Single Axle

UNDERCARRIAGE ASSEMBLY - SPRING RIDE

ITEM	PART NO.	DESCRIPTION	QTY.
	127736	SUSPENSION ASSEMBLY S/R	
2	101852	DIAGNOSTIC CABLE W/ SWITCH	REF
3	102836	HARNESS ASSEMBLY, E-CHAIN ABS	REF
11	110990	LOCKNUT 7/8-14	2
12	110991	WASHER, FLAT HARDENED 7/8	2
16	121366	BUMPER WELDMENT 96"	1
18	126976	PIN, SUPPORT U/C NYLATRON	4
19	126982	STOP, PIN ROTATION U/C	4
20	127200	SUSPENSION WELDMENT 330-1S/R 96"	1
21	127461	BRAKE W/ ABS SINGLE (SEE PAGE 1-27)	1
22	127735	AXLE ASSEMBLY 330-96 (SEE PAGE 1-17)	1
23	0001-02	HEX HEAD CAP SCREW 5/8-18 X 5-1/8	2
24	0001-08	TORQUE ARM BOLT 7/8-14 X 5-1/4	2
25	0002-07	LOCKNUT 5/8-18	2
26	0741-01	SPRING ROLLER	2
27	1-510-010001	NUT FLANGE LOCK 3/8-16	16
28	1-512-010005-05	NUT HEX LOCK 3/8-16 GRB	6
29	1-512-010005-15	NUT HEX LOCK 3/4-10 GRB	4
30	1-512-010007-05	NUT HEX 1/4-20 GRB	13
31	1-654-010032-04	SCREW HEX HEAD CAP 3/4-10X1-3/4 GR5	4
32	1-654-010047-06	SCREW HEX HEAD CAP 1/4-20X1 GR5	2
33	1-654-010051-08	SCREW HEX HEAD CAP 3/8-16X1-3/4 GR5	4
34	1-654-010055-02	SCREW HEX HEAD CAP 1/2-13X1-1/4 GR5	4
35	1-654-010158-1	SCREW RD HEAD SQ NECK 1/4-20X3/4 GR5	11
37	1-796-010004-02	TIE STRAP (NOT SHOWN)	AR
38	1-861-010032-07	WASHER FLAT 1/4W	11
39	1-861-010032-11	WASHER FLAT 3/8W	18
40	1-861-010032-15	WASHER FLAT 1/2W	4
41	1-861-010034-09	WASHER SPLIT LOCK 1/4	13
42	1-861-010034-13	WASHER SPLIT LOCK 1/2	4
43	2-181-010001	CLAMP	8
45	3-311-013675	NYLATRON SLIDE PIVOT	4
46	3-485-010001	MUD FLAP	2
49	3-755-010189-03	SUPPORT E-CHAIN	1
	3-755-010189-1	LINK	1
	380-1	END MOUNTING BRACKET W/ HOLE	2
	380-2	END MOUNTING BRACKET W/ PIN	2
50	3-762-010017	CLAMP MUD FLAP	2
51	3-780-010002	TANK AIR	1
52	3-821-010005	TRAY CAT TRACK	1
53	622-3511-008	WASHER 3/4	4
54	805-2	STEP BUSHING	8
56	128732	BRACKET, CHAIN STORAGE	2
57	128973	CONNECTOR, CONTAINER REAR PULL, LH	1
58	128974	CONNECTOR, CONTAINER REAR PULL, RH	1
59	129213	CHAIN COMPARTMENT CENTER BOTTOM	1
60	1-654-010051-05	SCREW, HEX HEAD CAP 3/8-16 X 1 GR5	2
61	3-174-010026	CHAIN, TRANSPORT 3/8 GR 70	AR
62	3-174-010042	CHAIN LINK CONNECTING 3/8	4
63	129985	SPRING EXTENSION 7/8 X 6	1
64	130109	LID WELDMENT, BUMPER STORAGE	1

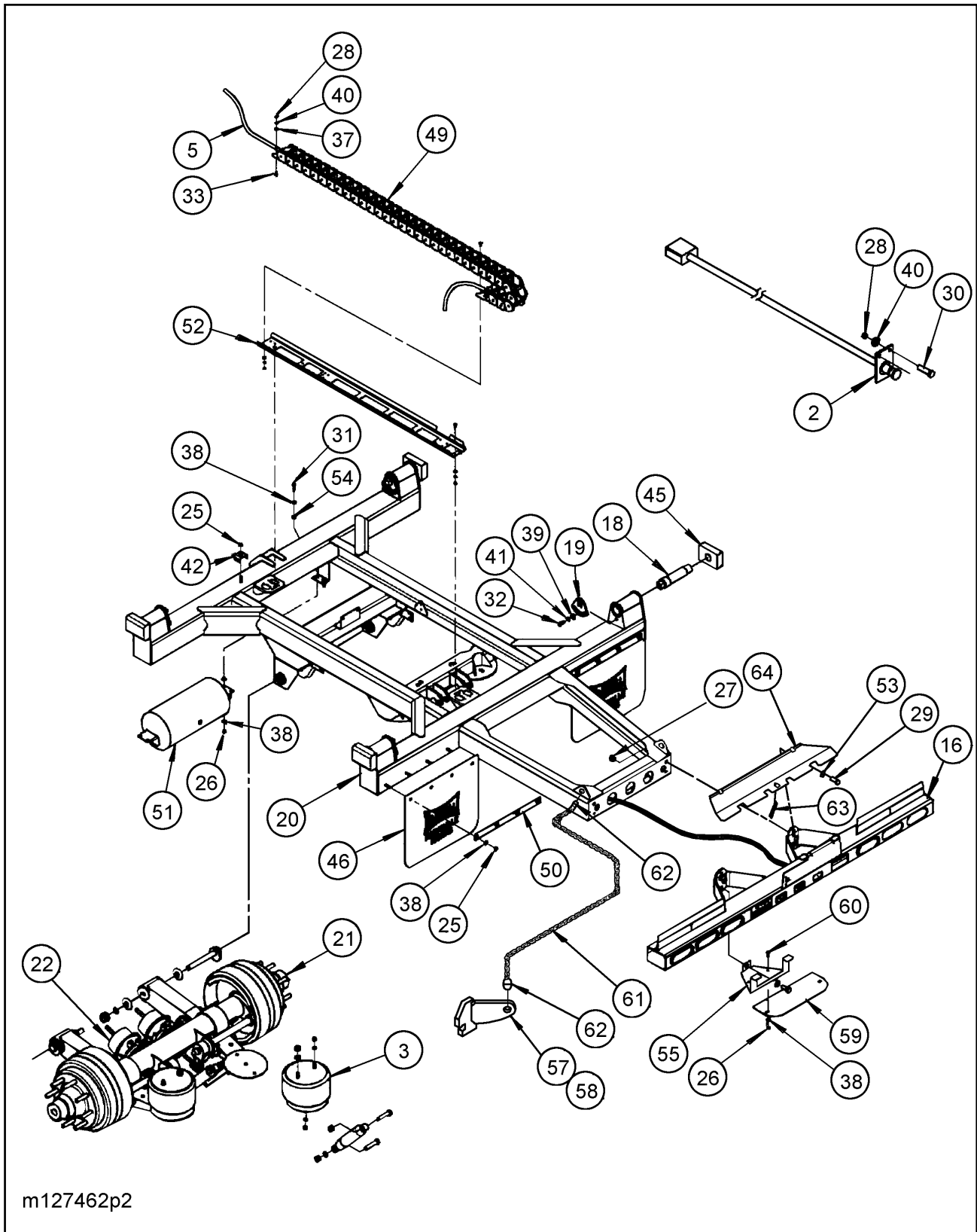


m127735

Figure 1-10 Single Leaf Spring Suspension

AXLE ASSEMBLY - SPRING RIDE

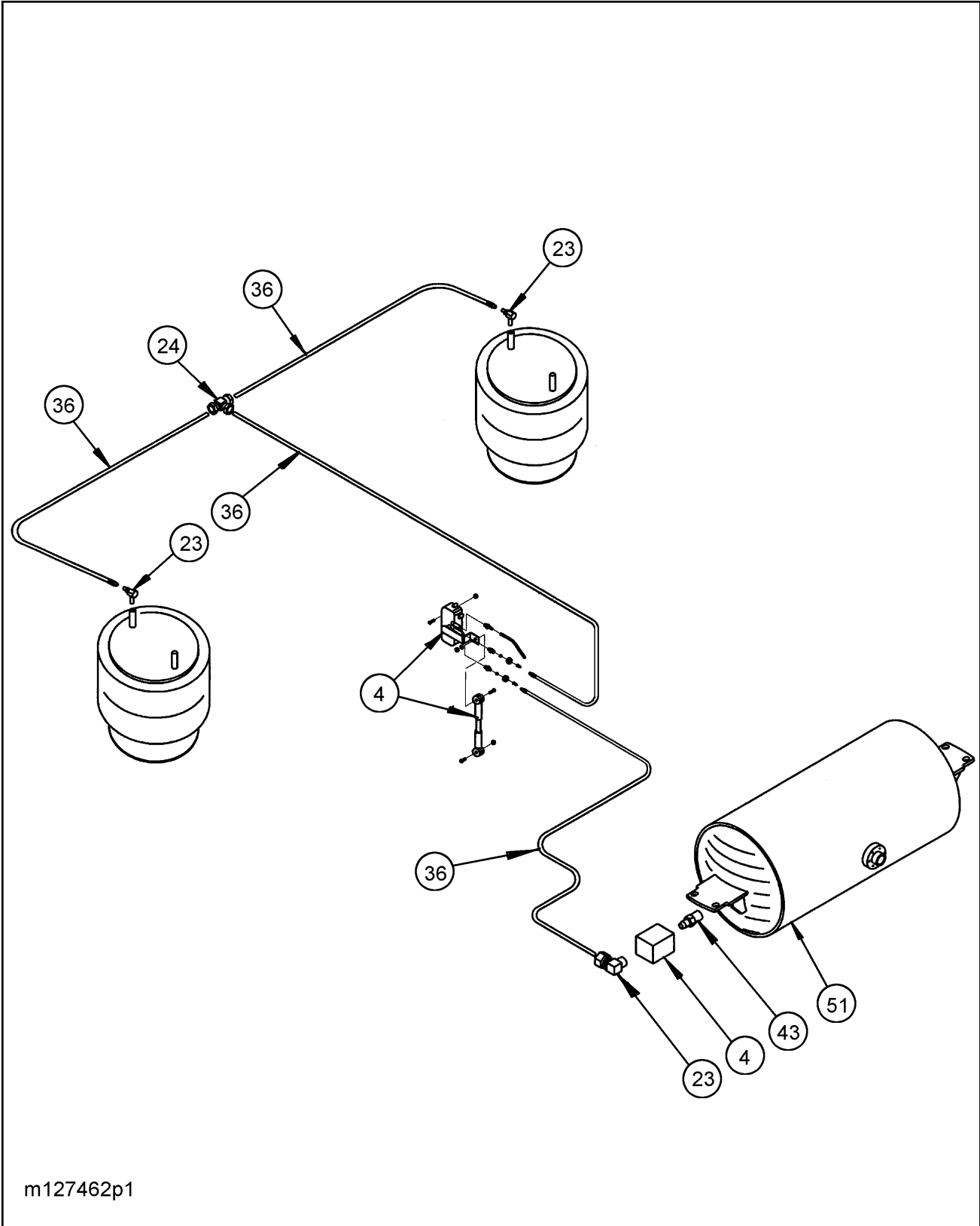
ITEM	PART NO.	DESCRIPTION	QTY
	127735	AXLE ASSEMBLY, SPRING 330-96	
1	0001-08	BOLT TORQUE ARM 7/8-14 X 5-1/4	2
2	0002-12	FLANGED LOCKNUT 7/8-14	10
3	0075-20	TORQUE ARM RIGID	1
4	0102-13	U-BOLT 13"	4
5	0375-00	DELRIN LINER	2
6	0508-00	BOTTOM PLATE UNDERSLUNG	2
7	0647-01	AXLE SEAT	2
8	1035-20	TORQUE ARM ADJUSTABLE	1
9	127451	AXLE 63 16.5 X 7 SPG BRK 25K (SEE PAGE 1-25)	1
10	3-720-010030	SPRING MONO LEAF HIGH ARCH	2
	3-432-010006	KIT AXLE SPRING ATTACHING PARTS (INCLUDES ITEMS 1-8)	



m127462p2

Figure 1-11 Undercarriage Assembly - Air Ride

(1 of 2)



m127462p1

Figure 1-12 Air Ride Suspension System
(2 of 2)

UNDERCARRIAGE ASSEMBLY - AIR RIDE

ITEM	PART NO.	DESCRIPTION	QTY.
	127462	SUSPENSION ASSEMBLY A/R SINGLE	
2	101852	DIAGNOSTIC CABLE W/ SWITCH	REF
3	102363	SUSPENSION ADJ RLU-228-3.5 (SEE PAGE 1-23)	1
4	102732	AIR CONTROL SYSTEM (SEE PAGE 1-21)	1
5	102838	HARNESS ASSEMBLY, E-CHAIN ABS	REF
16	121366	BUMPER WELDMENT 96"	1
18	126976	PIN, SUPPORT U/C NYLATRON	4
19	126982	STOP, PIN ROTATION U/C	4
20	127287	SUSPENSION WELDMENT 330-1A/R 96"	1
21	127452	AXLE WELDMENT 2516 SPG 63 (SEE PAGE 1-25)	1
22	127461	BRAKE W/ ABS SINGLE (SEE PAGE 1-27)	1
23	1-297-010008-07	FITTING AIR 90	3
24	1-297-010010-01	FITTING AIR UNION TEE	1
25	1-510-010001	NUT FLANGE LOCK 3/8-16	17
26	1-512-010005-05	NUT HEX LOCK 3/8-16 GRB	6
27	1-512-010005-15	NUT HEX LOCK 3/4-10 GRB	4
28	1-512-010007-05	NUT HEX 1/4-20 GRB	13
29	1-654-010032-04	SCREW HEX HEAD CAP 3/4-10X1-3/4 GR5	4
30	1-654-010047-06	SCREW, HEX HEAD CAP 1/4-20 X 1 GR5	2
31	1-654-010051-08	SCREW HEX HEAD CAP 3/8-16X1-3/4 GR5	4
32	1-654-010055-02	SCREW, HEX HEAD CAP 1/2-13 X 1-1/4 GR5	4
33	1-654-010158-1	SCREW RD HEAD SQ NECK 1/4-20X3/4 GR5	11
35	1-796-010004-02	TIE, STRAP (NOT SHOWN)	6
36	1-833-010001	TUBING NYLON 1/4 OD	AR
37	1-861-010032-07	WASHER FLAT 1/4	11
38	1-861-010032-11	WASHER FLAT 3/8	18
39	1-861-010032-15	WASHER FLAT 1/2W	4
40	1-861-010034-09	WASHER SPLIT LOCK 1/4	13
41	1-861-010034-13	WASHER SPLIT LOCK 1/2	4
42	2-181-010001	CLAMP	9
43	2083-8-4S	NIPPLE HEX	1
45	3-311-013675	NYLATRON SLIDE PIVOT	4
46	3-485-010001	MUD FLAP	2
49	3-755-010189-03	SUPPORT E-CHAIN	1
	3-755-010189-1	LINK	1
	380-1	END MOUNTING BRACKET W/ HOLE	2
	380-2	END MOUNTING BRACKET W/ PIN	2
50	3-762-010017	CLAMP MUD FLAP	2
51	3-780-010002	TANK AIR	1
52	3-821-010005	TRAY CAT TRACK	1
53	622-3511-008	WASHER 3/4	4
54	805-2	STEP BUSHING	8
55	128732	BRACKET, CHAIN STORAGE	2
57	128973	CONNECTOR, CONTAINER REAR PULL, LH	1
58	128974	CONNECTOR, CONTAINER REAR PULL, RH	1
59	129213	CHAIN COMPARTMENT CENTER BOTTOM	1
60	1-654-010051-05	SCREW, HEX HEAD CAP 3/8-16 X 1 GR5	2
61	3-174-010026	CHAIN, TRANSPORT 3/8 GR 70	AR
62	3-174-010042	CHAIN LINK CONNECTING 3/8	4
63	129985	SPRING EXTENSION 7/8 X 6	1
64	130109	LID WELDMENT, BUMPER STORAGE	1

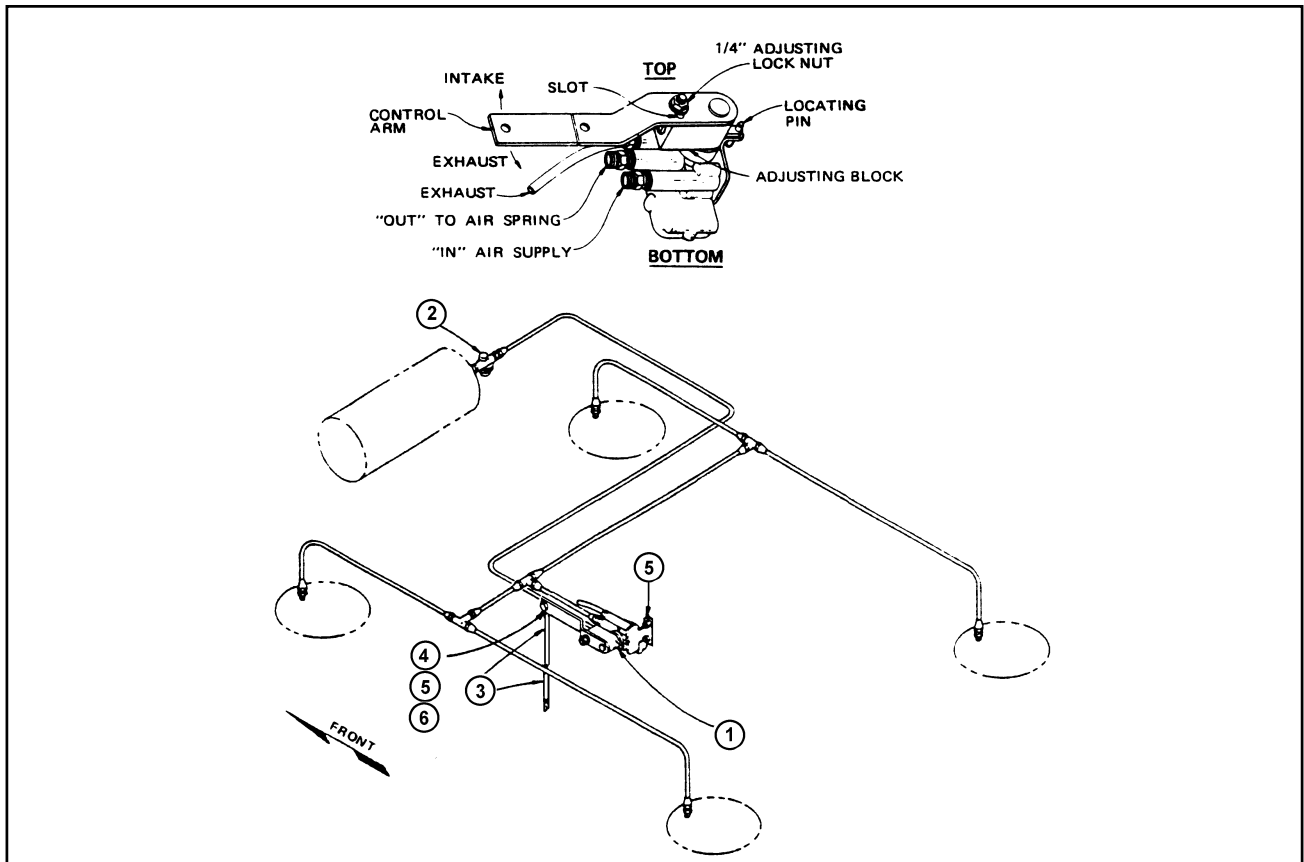


Figure 1-13 Air Control Kit

AIR CONTROL KIT

ITEM	PART NO.	DESCRIPTION	QTY.
	102732	AIR CONTROL KIT NEWAY	
1	900 54 007	HEIGHT CONTROL VALVE	1
2	900 54 107	AIR PRESSURE VALVE & FILTER	1
3	111021	SRK - 167 KIT (ADJ. LINK ASSY)	1
4	1-654-010047-04	CAP SCREW 1/4-20 X 3/4	2
5	1-512-010005-01	LOCK NUT 1/4-20	2
6	941 00 119	DECAL (OPERATING)	1

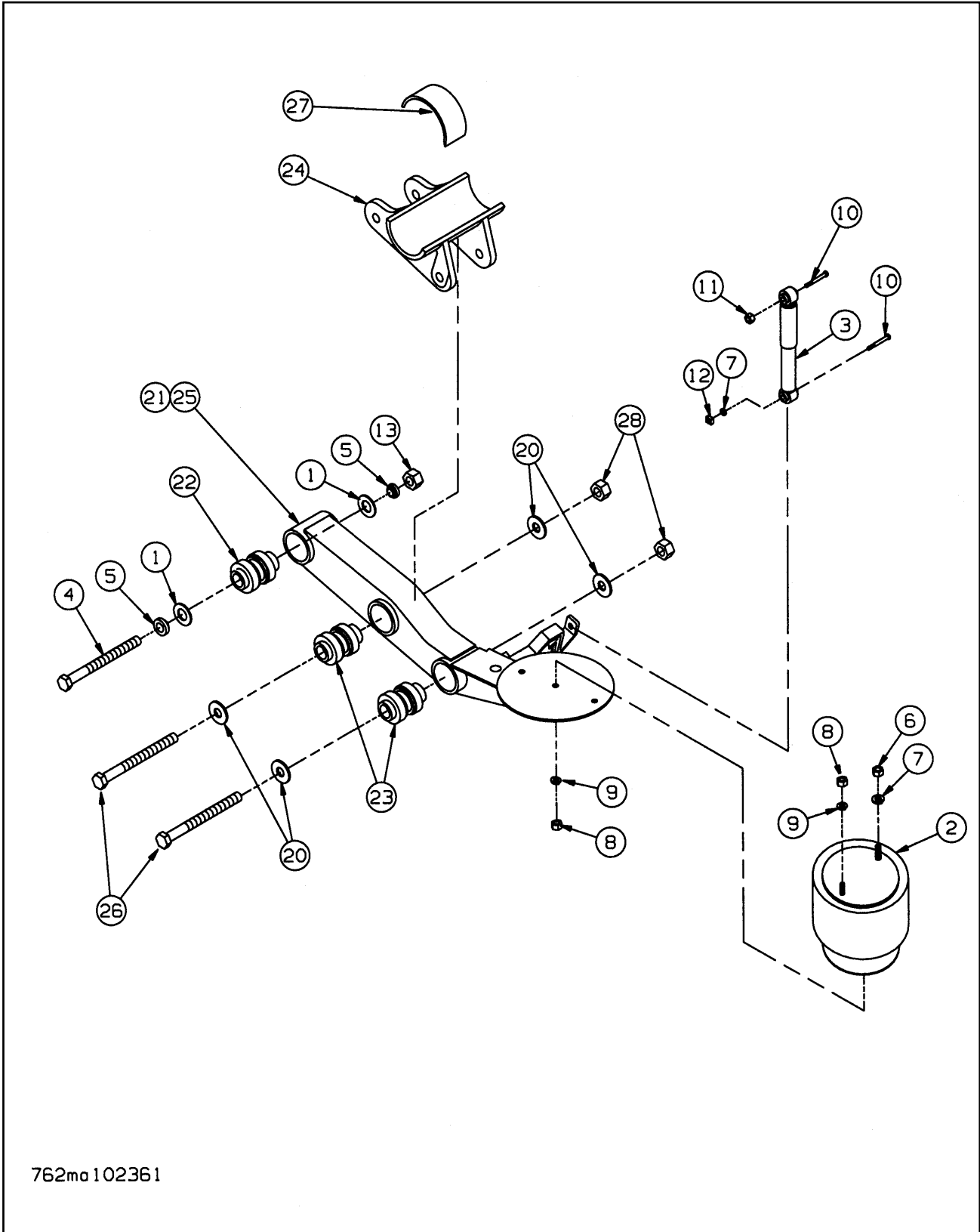
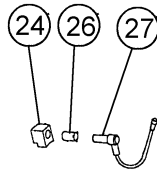
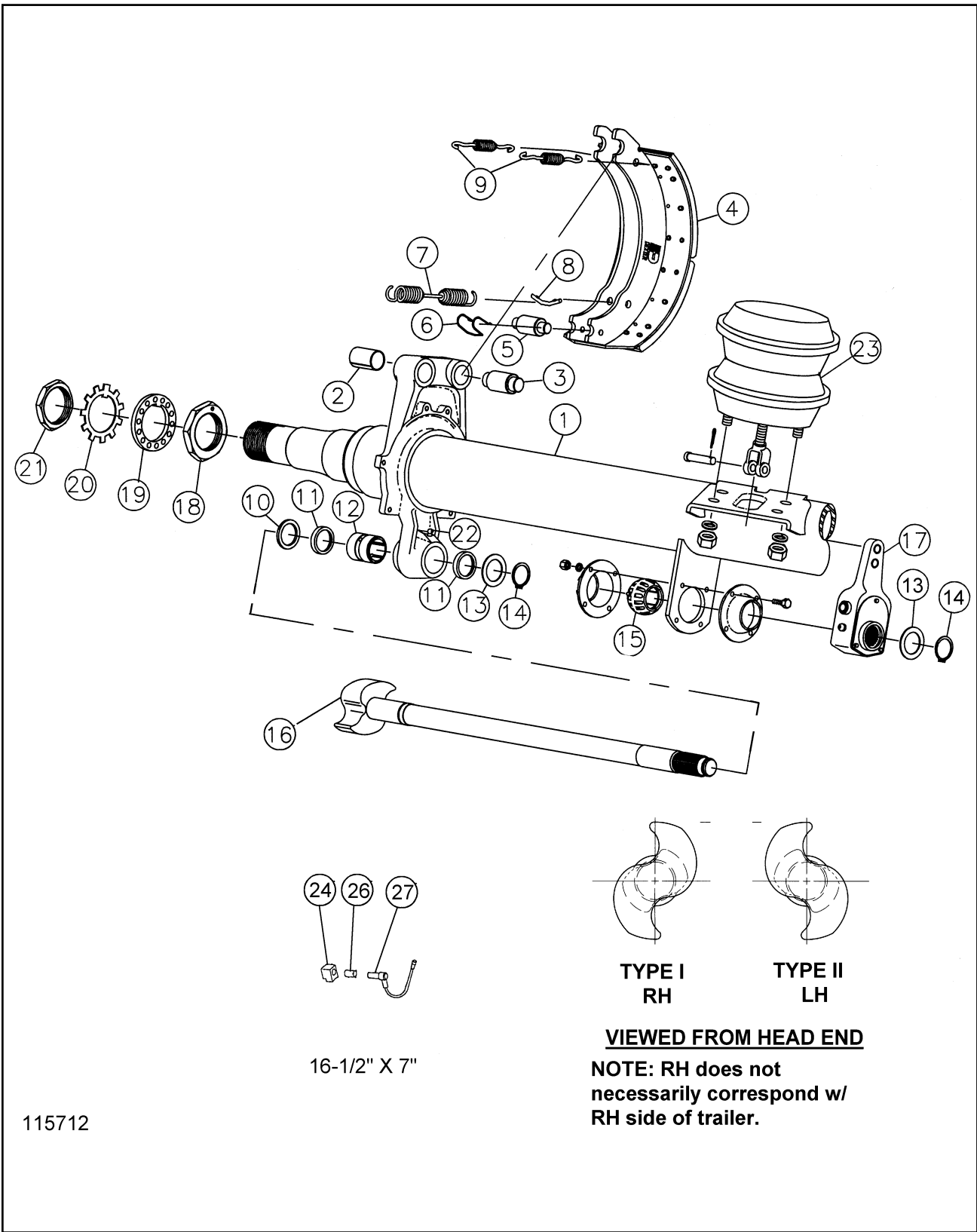


Figure 1-14 Suspension Hanger Assembly

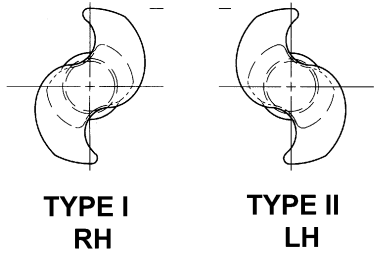
SUSPENSION HANGER ASSEMBLY

ITEM	PART NO.	DESCRIPTION	QTY.
	102363	SUSPENSION, ADJ. RLU-228-3.5 (ITEMS 1-19)	
	102361	SUSPENSION BEAM, RLU-228 (ITEMS 20-28)	
1	111010	FLAT WASHER	2
2	905-57-129	AIR SPRING ASSEMBLY	2
3	900 45 040	SHOCK	2
4	111006	ALIGN BUSH ASSEMBLY (CONSISTS OF:)	2
	93201057	ROD BOLT	1
	90008184	ALIGN BLOCK	1
5	900 08 186	ALIGN BLOCK	2
6	934 00 149	3/4-16 HEX NUT GRB	2
7	936 00 077	LOCK WASHER, 3/4"	4
8	1-512-010007-09	NUT, HEX 1/2-13	4
9	1-816-010034-13	WASHER, SPLIT LOCK 1/2"	4
10	930 03 597	HEX HEAD CAP SCREW 3/4-10 X 3-1/2	4
11	934 00 492	LOCK NUT, 3/4" - 10	2
12	934-00-367	3/4-10 SQUARE NUT	2
13	934-00-506	LOCK NUT 1-1/8-7	2
14	111018	ANCHOR, RIDE HEIGHT CONTROL VALVE (NOT SHOWN)	1
15	94100787	LITERATURE INSTRUCTIONS (NOT SHOWN)	1
16	94100685	LITERATURE SPEC (NOT SHOWN)	1
17	94100648	LITERATURE FORM 864 (NOT SHOWN)	1
18	94100590	LITERATURE LABEL (NOT SHOWN)	1
19	94100790	LITERATURE LABEL (NOT SHOWN)	1
	111019	FASTENER KIT (INCL. 1, 4-11, 13, 15)	1
20	111010	FLAT WASHER	8
21	111013	EQUALIZING BEAM ASSEMBLY LH	1
22	90008139	RUBBER BUSHING (FRONT PIVOT)	2
23	111011	RUBBER BUSHING (AXLE CONNECTION)	4
24	111012	AXLE ADAPTER ASSEMBLY	2
25	111014	EQUALIZING BEAM ASSEMBLY RH	1
26	111023	HEX HEAD CAP SCREW 1-1/8-7 X 8-1/2	4
27	900-25-288	SAFETY STRAP	2
28	934-00-506	LOCK NUT 1-1/8-7	4

NOTE: QUANTITIES LISTED ARE PER AXLE.



16-1/2" X 7"



VIEWED FROM HEAD END
NOTE: RH does not necessarily correspond w/ RH side of trailer.

115712

Figure 1-15 Axle and Brake Items

AXLE AND BRAKE ITEMS (DEXTER)

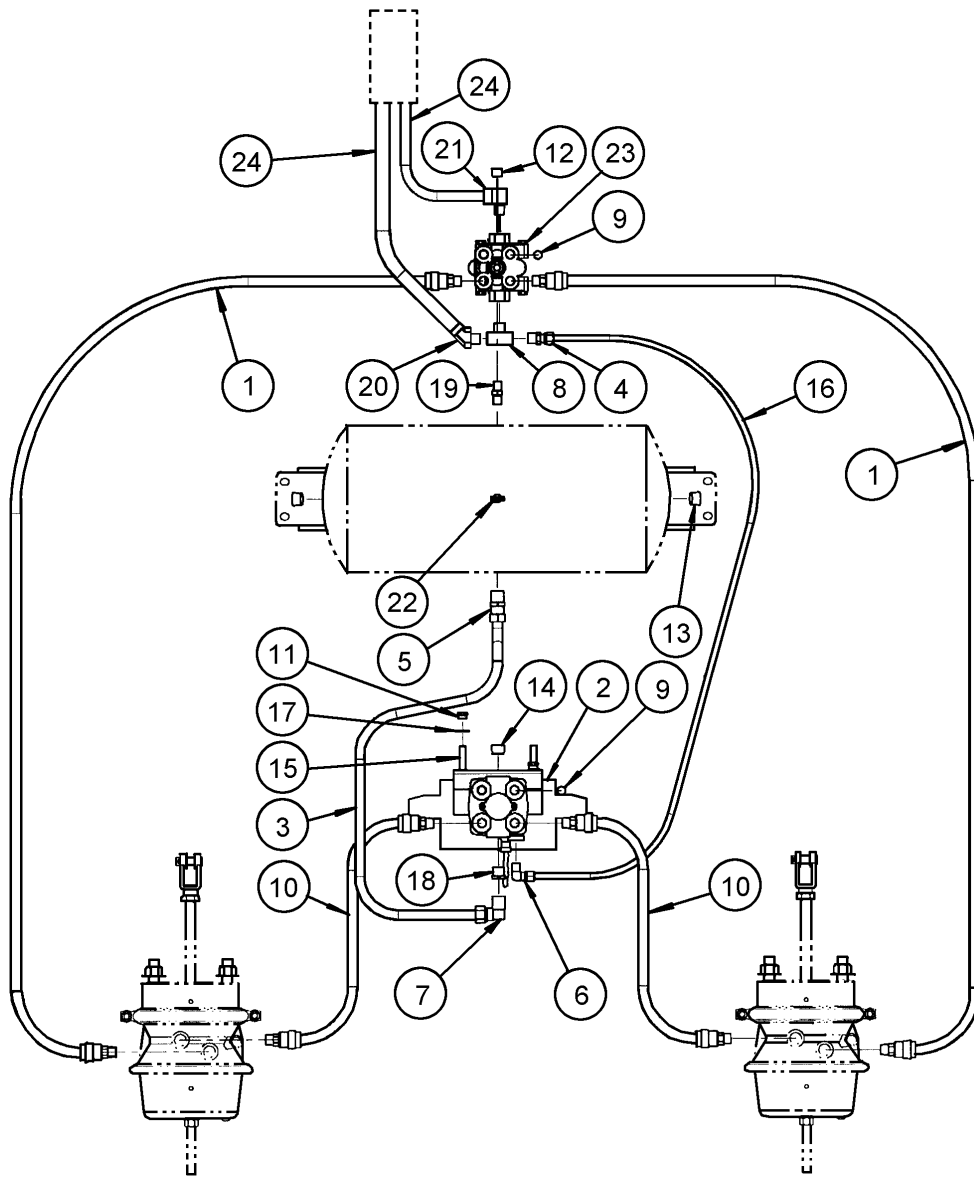
ITEM	PART NO.	DESCRIPTION	QTY.
	127451	AXLE 63, 16.5 X 7 SPG BRK 25K	
1*	D-2H16	BEAM W/ BRACKETS	1
	**K71-136-00	BRAKE SHOE HDWR KIT (ITEMS 2, 3, 5, 6, 7, 8, & 9)	
2**	014-068-00	BUSHING ANCHOR PIN	4
3**	056-017-00	PIN ANCHOR	4
4	040-180-00	BRAKE SHOE AND LINING	4
	041-058-01	LINING - BRAKE BLOCK CAM	4
	041-059-01	LINING - BRAKE BLOCK ANCHOR	4
	K71-138-00	BRAKE BLOCK KIT (ITEMS 4A,4B, & P/N 022-018-00 RIVETS)	2
5**	014-065-00	ROLLER KNURLED	4
6**	071-122-00	RETAINER ROLLER	4
7**	046-096-00	SPRING SHOE RETURN	2
8**	056-018-00	RETAINER RETRACTOR SPRING	4
9**	046-097-00	SPRING SHOE KEEPER	4
	***K71-135-00	CAMSHAFT REPAIR KIT (ITEMS 10-15, & 22)	
10***	005-096-00	WASHER CAMSHAFT	2
11***	010-052-00	SEAL GREASE	4
12***	014-056-00	BUSHING CAMSHAFT SPIDER	2
13***	005-134-00	WASHER CAMSHAFT (FOR 28 SPLINE CAMSHAFT)	2
14***	069-078-00	RETAINER CAMSHAFT (FOR 28 SPLINE CAMSHAFT)	2
15***	014-058-00	BUSHING CAMSHAFT SUPPORT	2
16	034-192-06	CAMSHAFT LH 19-1/2 (63 TRACK)	1
	034-193-06	CAMSHAFT RH 19-1/2 (63 TRACK)	1
17	055-040-06	SLACK ADJUST, AUTOMATIC	2
18	006-114-00	NUT INNER SPINDLE	2
19	005-098-00	WASHER SPINDLE LOCK	2
20	005-099-00	WASHER TABBED SPINDLE LOCK	2
21	006-115-00	NUT OUTER SPINDLE	2
22***	061-006-00	FITTING GREASE 65°	2
23	034-058-01	AIR CHAMBER, SPRING BRAKE	4
24	024-100-00	SENSOR BLOCK	2
26	097-002-00	RETAINER CLIP	2
27	097-003-00	ABS SENSOR, 90	2

* WHEN ORDERING THE BEAM WITH SPINDLE, SPIDER AND BRACKETS ATTACHED, YOU WILL NEED THE BEAM NUMBER, TRACK LENGTH, BRAKE SIZE, AND CAMSHAFT LENGTH.

** THESE PARTS ARE AVAILABLE AS PART OF BRAKE SHOE HARDWARE KIT LISTED.

*** THESE PARTS ARE AVAILABLE AS PART OF CAMSHAFT REPAIR KIT P/N LISTED.

NOTE: FOR HUB AND DRUM INFORMATION, SEE PAGE 1-31.



m127461

Figure 1-16 Air Brake System, Single Axle

AIR BRAKE SYSTEM W/ ABS

ITEM	PART NO.	DESCRIPTION	QTY.
	127460	BRAKE W/ ABS SINGLE	
1	101003	HOSE, AIR 3/8 X 48	2
2	114585	BRAKE KIT ROCKWELL ABS (SEE PAGE 1-29)	1
3	117304	TUBING NYLON 5/8	AR
4	1-297-010007-12	FITTING AIR	1
5	1-297-010007-18	FITTING AIR	1
6	1-297-010008-18	FITTING AIR 90	1
7	1-297-010008-26	FITTING AIR 90	1
8	1-297-010017-03	FITTING, BRASS TEE	1
9	1-297-010033-03	FITTING PLUG, BRASS	4
10	1-384-010038024	HOSE AIR 24"	2
11	1-512-010005-05	NUT, HEX LOCK 3/8-16 GRB	2
12	1-560-010002-03	PLUG PIPE 3/8	1
13	1-560-010002-04	PLUG PIPE 1/2	2
14	1-560-010002-05	PLUG PIPE 3/4-14	1
15	1-654-010051-08	SCREW, HEX HEAD CAP 3/8-16 GR5	2
16	1-833-010002	TUBING NYLON 3/8	AR
17	1-861-010032-10	WASHER, FLAT 3/8	4
18	118-2659-9	BUSHING 1/2 X 3/4	1
19	2083-8-8S	NIPPLE, HEX	1
20	2088-6-6S	ADAPTER 45	1
21	2089-6-6S	ADAPTER 90	1
22	56D4	COCK DRAIN AIR TANK	1
23	758-181	VALVE TASK 4 PORT	1
24	107956	HOSE, AIR 3/8 X 136	2
25	1-796-01003-01	TIE STRAP PLASTIC (NOT SHOWN)	10

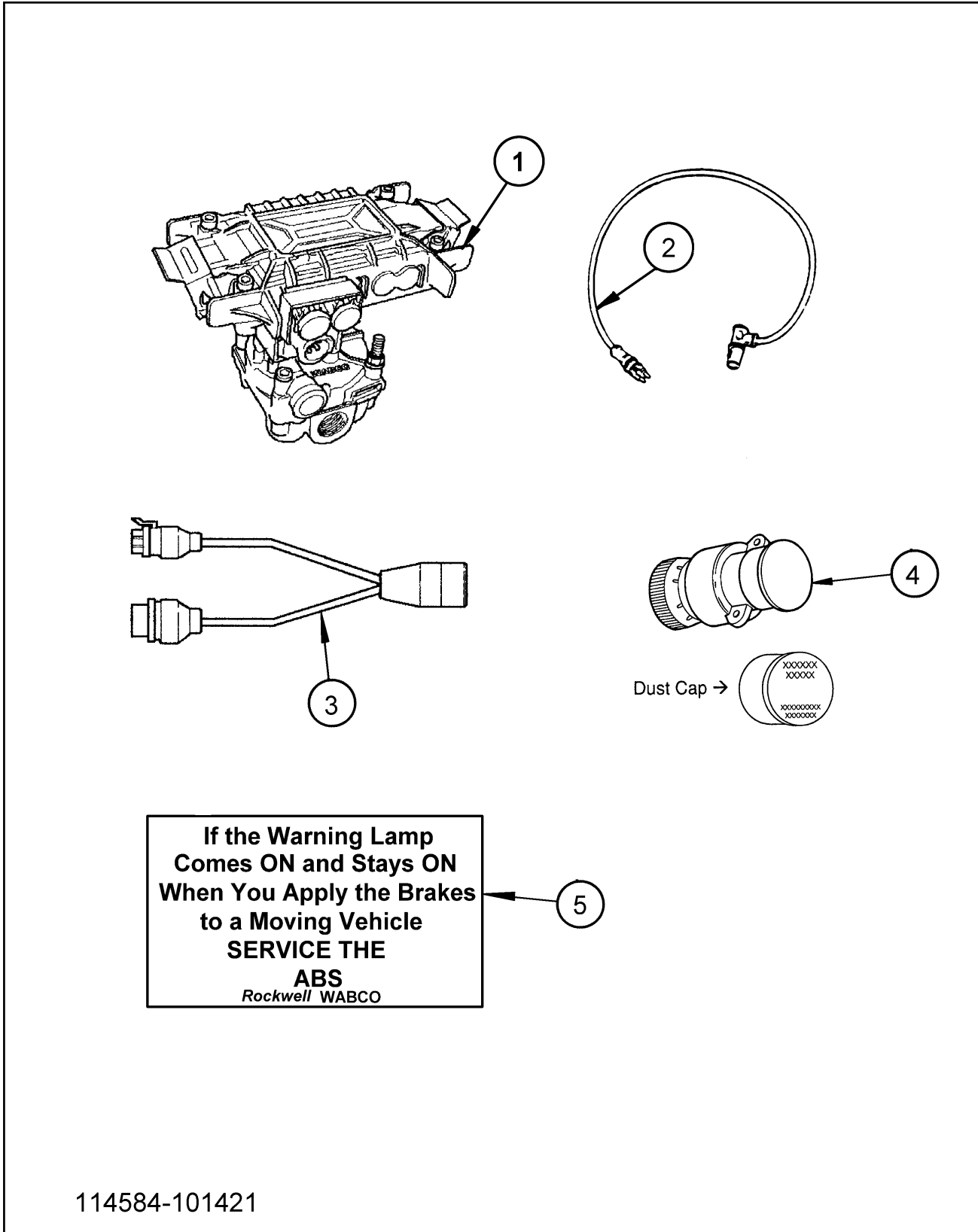


Figure 1-17 Brake Kit, Meritor WABCO (Rockwell) ABS

BRAKE KIT, ABS

ITEM	PART NO.	DESCRIPTION	QTY.
	114585	BRAKE KIT, ROCKWELL ABS, 2S/1M	
1	114589	ECU/VALVE ASSEMBLY 2S/1M	1
2	101848	SENSOR EXTENSION CABLE	2
3	114590	POWER/DIAGNOSTIC CABLE	4
4	101851	DIAGNOSTIC SWITCH	1
5	101855	WARNING LAMP LABEL	1
6	114587	MAINTENANCE MANUAL MM-180 (NOT SHOWN)	1

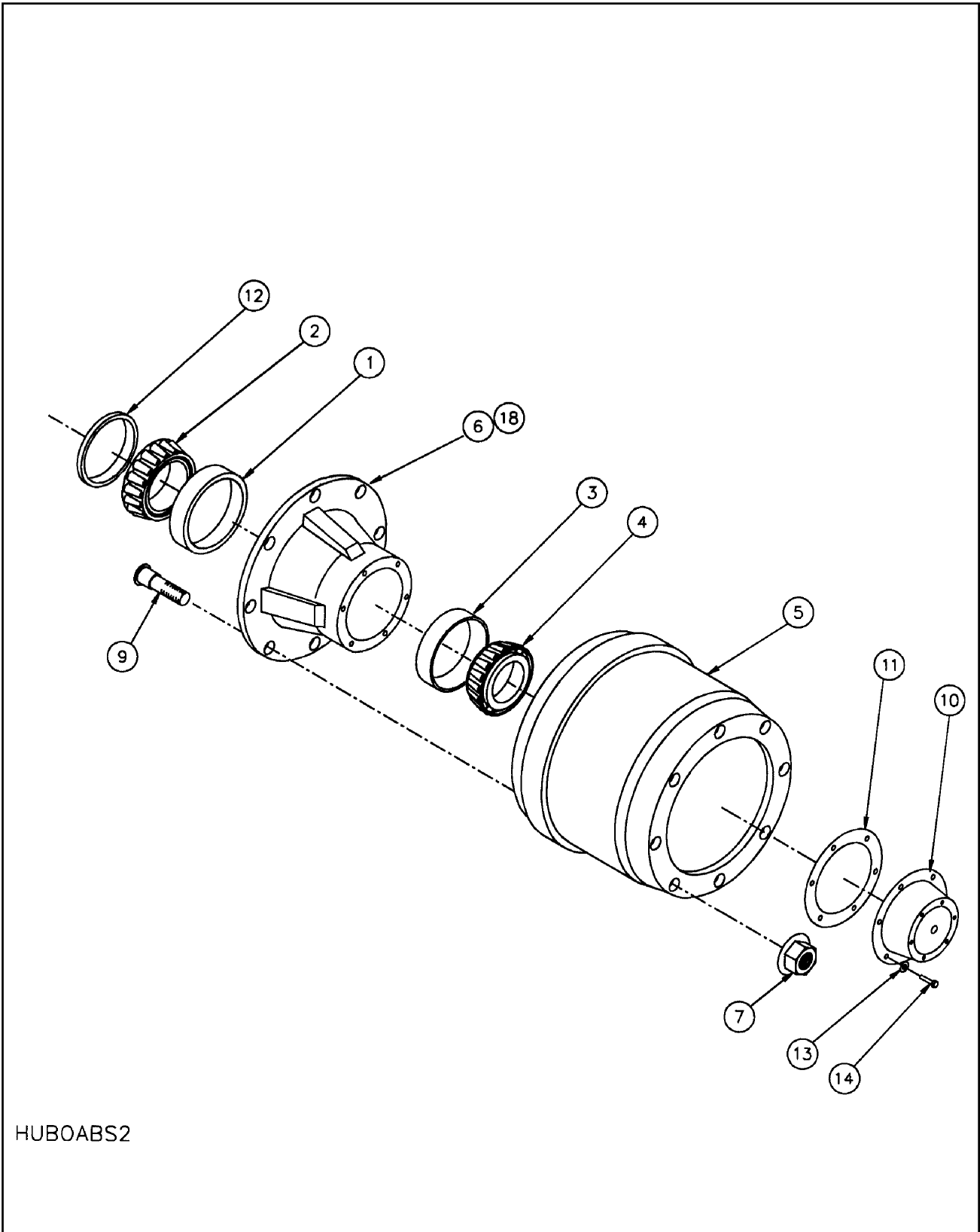


Figure 1-18 Outboard Pilot Mount Hub and Drum

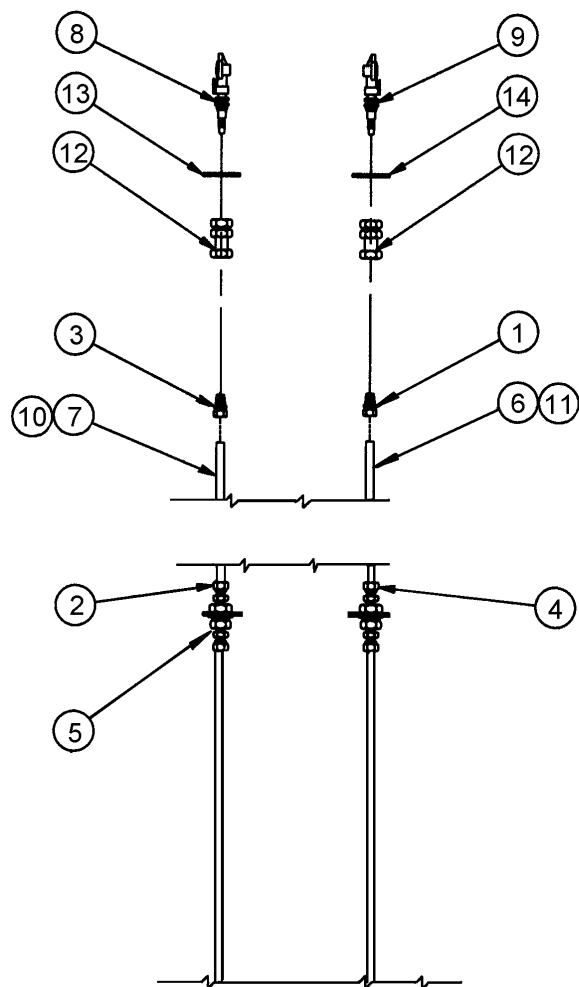
OUTBOARD PILOT MOUNT HUB AND DRUM

ITEM	PART NO.	DESCRIPTION	QTY.
	103783	HUB/DRUM 10 BOLT 16-1/2 PILOT ABS LONG STUD	
1	HM218210	INNER BEARING CUP	1
2	HM218248	INNER BEARING CONE	1
3	HM212011	OUTER BEARING CUP	1
4	HM212049	OUTER BEARING CONE	1
5	110976(66884)	OUTBOARD MOUNTED BRAKE DRUM	1
6	110975(2023----T)	HUB IRON	1
7	179933	FLANGE NUT	10
9	101160	STUD	10
10	021-038-01 (4009)	CAP HUB	1
11	071-124-00 (3067)	GASKET OIL CAP	1
12	3-659-010012	SEAL	1
13	1-861-010034-10	WASHER SPLIT LOCK 5/16	6
14	1-654-010049-03	SCREW HEX HEAD CAP 5/16-18X3/4 GR5	6
15	3-870-010110	WHEEL DISC PILOT MOUNT 22.5 X 8.25 (NOT SHOWN)	1
	111416	WHEEL ALUM, PILOT MOUNT 22.5 X 8.25 (NOT SHOWN)	1
16	TR573	VALVE STEM - STEEL WHEEL (NOT SHOWN)	1
	TR545D	VALVE STEM (NOT SHOWN)	1
18	*	ABS TONE RING	1

* THIS PART SHOULD BE REPLACED IN CONJUNCTION WITH THE HUB. IT IS NOT SOLD SEPARATELY.

EMERGENCY/SUPPLY

SERVICE/CONTROL



TO UNDERCARRIAGE

m128463

Figure 1-19 Air System

AIR SYSTEM

ITEM	PART NO.	DESCRIPTION	QTY.
	128463	AIR SYSTEM	
1	1-297-010007-11	FITTING, AIR	1
2	1-297-010007-12	FITTING, AIR	1
3	1-297-010007-14	FITTING, AIR	1
4	1-297-010007-15	FITTING, AIR	1
5	1-297-010022-03	FITTING, AIR	2
6	1-833-010002	NYLON TUBING, 3/8 OD	AR
7	1-833-010003	TUBING NYLON 1/2	AR
8	108801	GLADHAND RED AIR	1
9	108802	GLADHAND BLUE AIR	1
10	239-9008-3	CONDUIT PLASTIC 1/2	AR
11	3-201-010002	CONDUIT, PLASTIC FLEX 3/8	AR
12	55B61	FRAME UNION	2
13	55B61-6	TAG, EMERGENCY LINE	1
14	55B61-7	TAG, SERVICE LINE	1

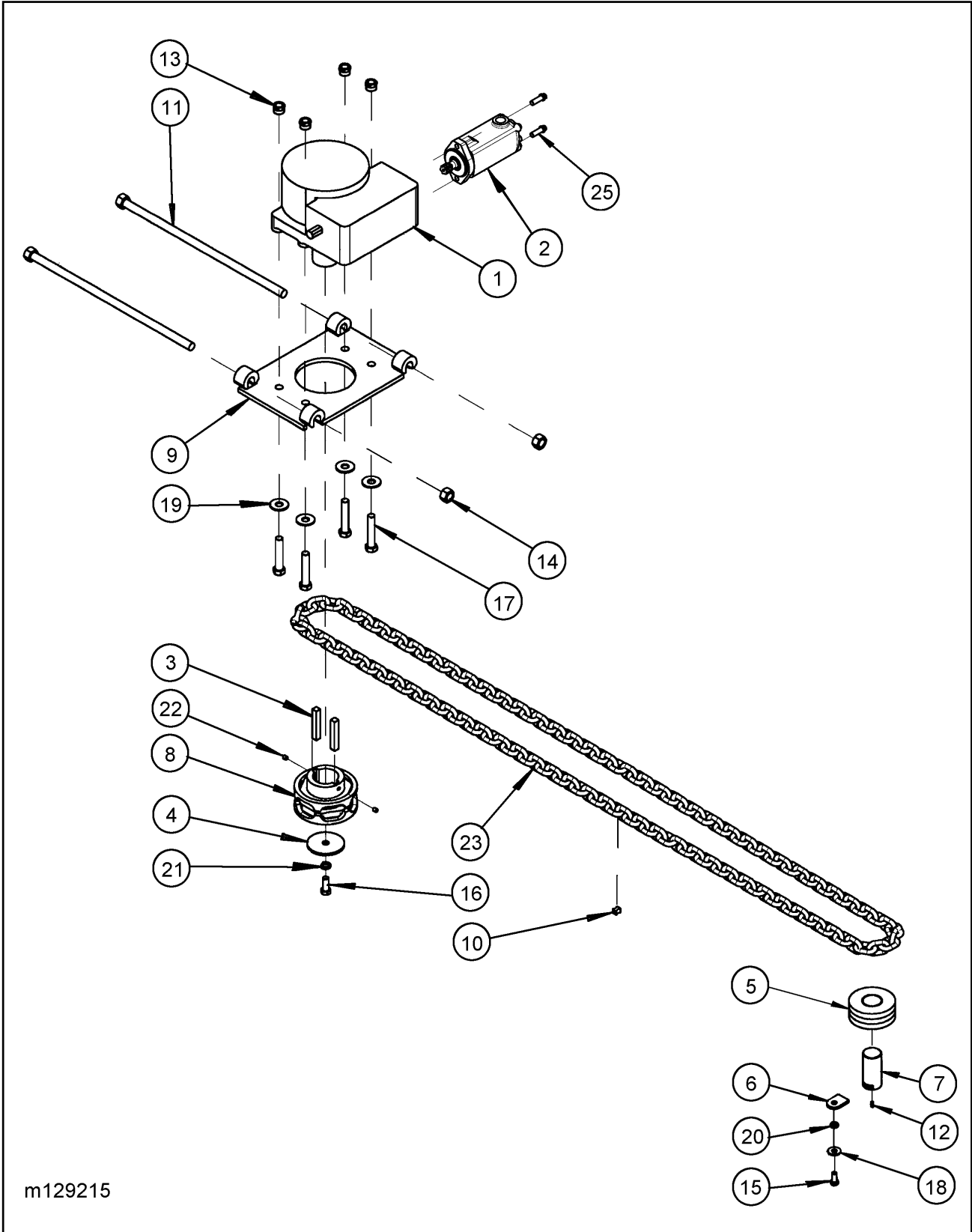


Figure 1-20 Gearbox Assembly

GEARBOX ASSEMBLY

ITEM	PART NO.	DESCRIPTION	QTY.
	129215	GEARBOX ASSEMBLY	
1	126858	GEARBOX (SEE PAGE 1-36)	1
2	126973	MOTOR FOR GEARBOX	1
	61258	SEAL KIT FOR MOTOR	1
3	127598	SQUARE ROD 5/8 X 3-3/4	2
4	128713	WASHER, KEEPER CHAIN GEAR	1
5	128801	IDLER, LOG CHAIN 1/2	1
6	128802	STOP, IDLER PIN	1
7	128803	PIN, IDLER LOG CHAIN	1
8	128813	BUSHING, CHAIN SPROCKET 1/2	1
9	129203	ANCHOR WELDMENT, GEARBOX ADJ	1
10	129214	SPLICE, CHAIN 1/2	1
11	129217	ROD WELDMENT 7/8-9 X 25	2
12	1-298-010001-1	FITTING, GREASE 1/4-28	1
13	1-512-010005-15	NUT, HEX LOCK 3/4-10 GRB	2
14	1-512-010007-13	NUT, HEX 7/8-9 GRB	1
15	1-654-010055-01	SCREW, HEX HEAD CAP 1/2-13 X 1 GR5	1
16	1-654-010059-03	SCREW, HEX HEAD CAP 5/8-11 X 1-1/2 GR5	4
17	1-654-010061-13	SCREW, HEX HEAD CAP 3/4-10 X 4 GR5	4
18	1-861-010032-15	WASHER, FLAT 1/2W	4
19	1-861-010032-21	WASHER, FLAT 3/4W	4
20	1-861-010034-13	WASHER, SPLIT LOCK 1/2	1
21	1-861-010034-15	WASHER, SPLIT LOCK 5/8	1
22	110-3494	SET SCREW, SOCKET HEAD 3/8-16 X 1/2	2
23	3-174-010039	CHAIN, 1/2 GR7	1,104"
25	130127	SCREW, 12 PT FLANGE 1/2-13 X 1-1/2	2

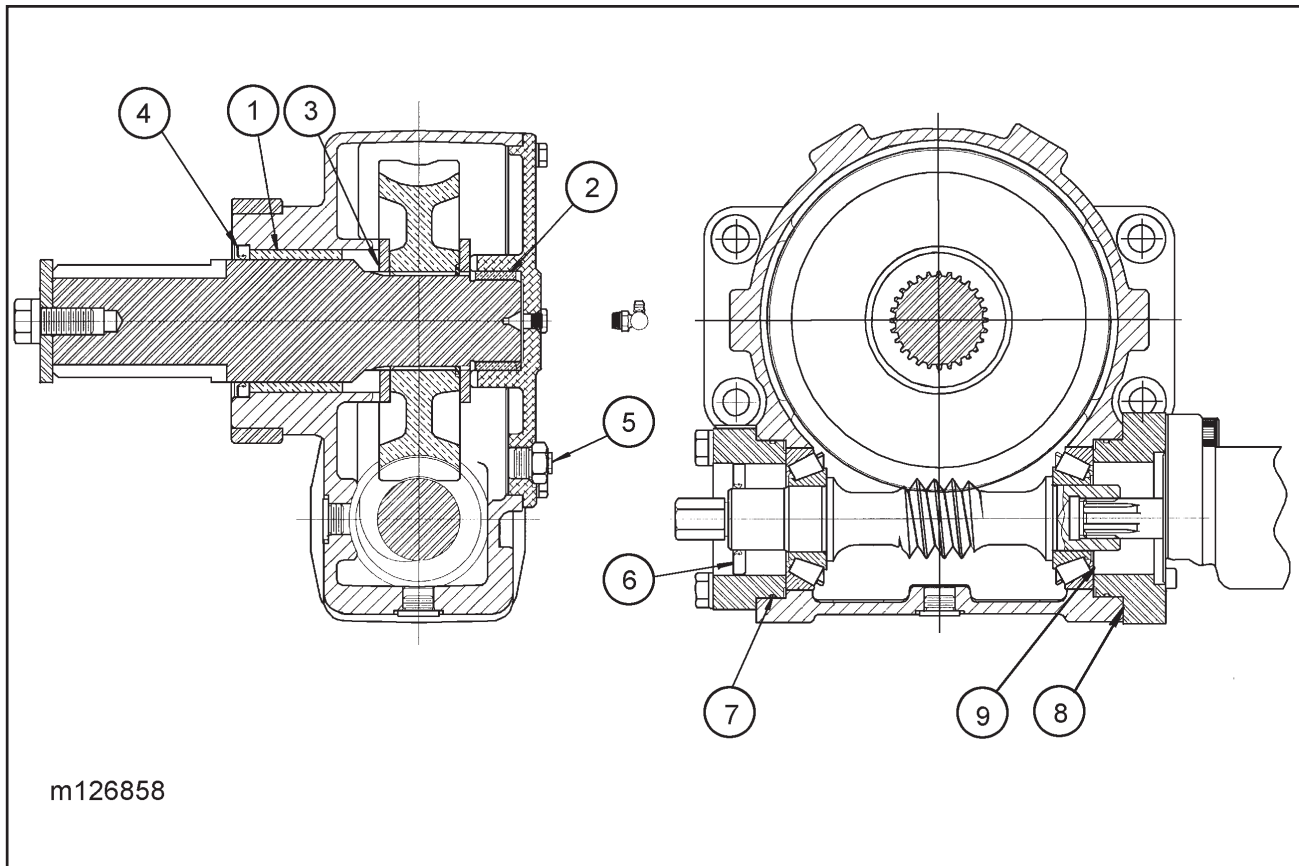
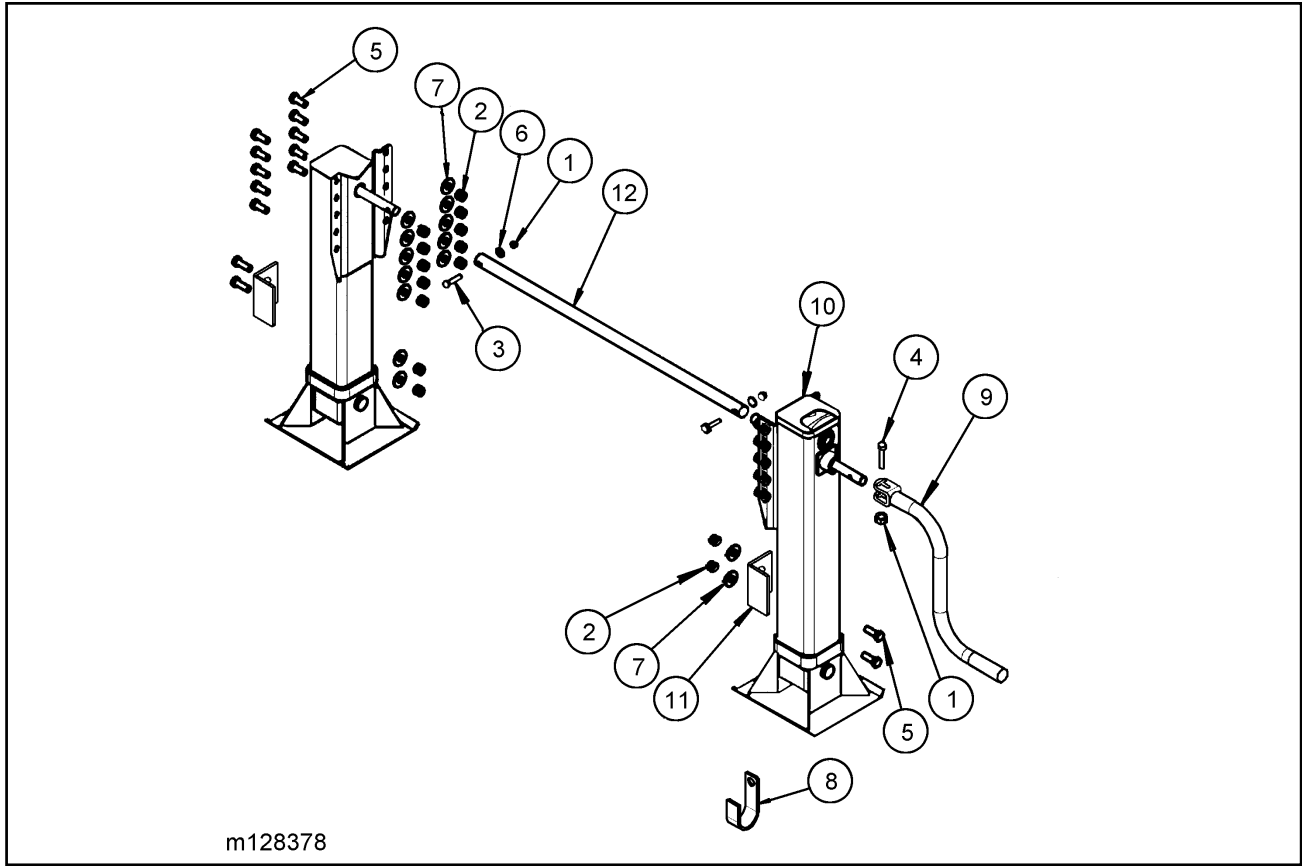


Figure 1-21 Gearbox Items

GEARBOX ITEMS

ITEM	PART NO.	DESCRIPTION	QTY.
1	126858	GEARBOX	1
1	130346	WORM HOUSING BUSHING	1
2	130347	WORM HOUSING COVER BUSHING	1
3	130348	THRUST WASHER	2
4	130349	SEAL	1
5	130350	RELIEF/VENT	1
6	130351	SEAL	1
7	130352	O-RING	2
8	130353	SHIM	2
9	137935	GASKET	1



m128378

Figure 1-22 Landing Gear Installation

LANDING GEAR INSTALLATION

ITEM	PART NO.	DESCRIPTION	QTY.
	128378	PARK STAND ASSEMBLY 2 SPEED JOST	
1	1-512-010005-05	NUT, HEX LOCK 3/8-16	3
2	1-512-010005-13	NUT, HEX LOCK 5/8-11	24
3	1-654-010051-09	SCREW, HEX HEAD CAP 3/8-16 X 2 GR5	2
4	1-654-010051-11	SCREW, HEX HEAD CAP 3/8-16 X 2-1/2 GR5	1
5	1-654-010059-03	SCREW, HEX HEAD CAP 5/8-11 X 1-1/2 GR5	24
6	1-861-010032-11	WASHER, FLAT 3/8W	2
7	1-861-010032-19	WASHER, FLAT 5/8W	24
8	117559	CLIP, LANDING GEAR HANDLE	1
9	119949	HANDLE, CRANK 2 SPEED LANDING GEAR	1
10	126985	LANDING GEAR (SEE PAGE 1-39)	1
11	127447	ANCHOR, BOTTOM ANGLE LANDING GEAR	2
12	128346	CROSS-SHAFT, LANDING GEAR	1

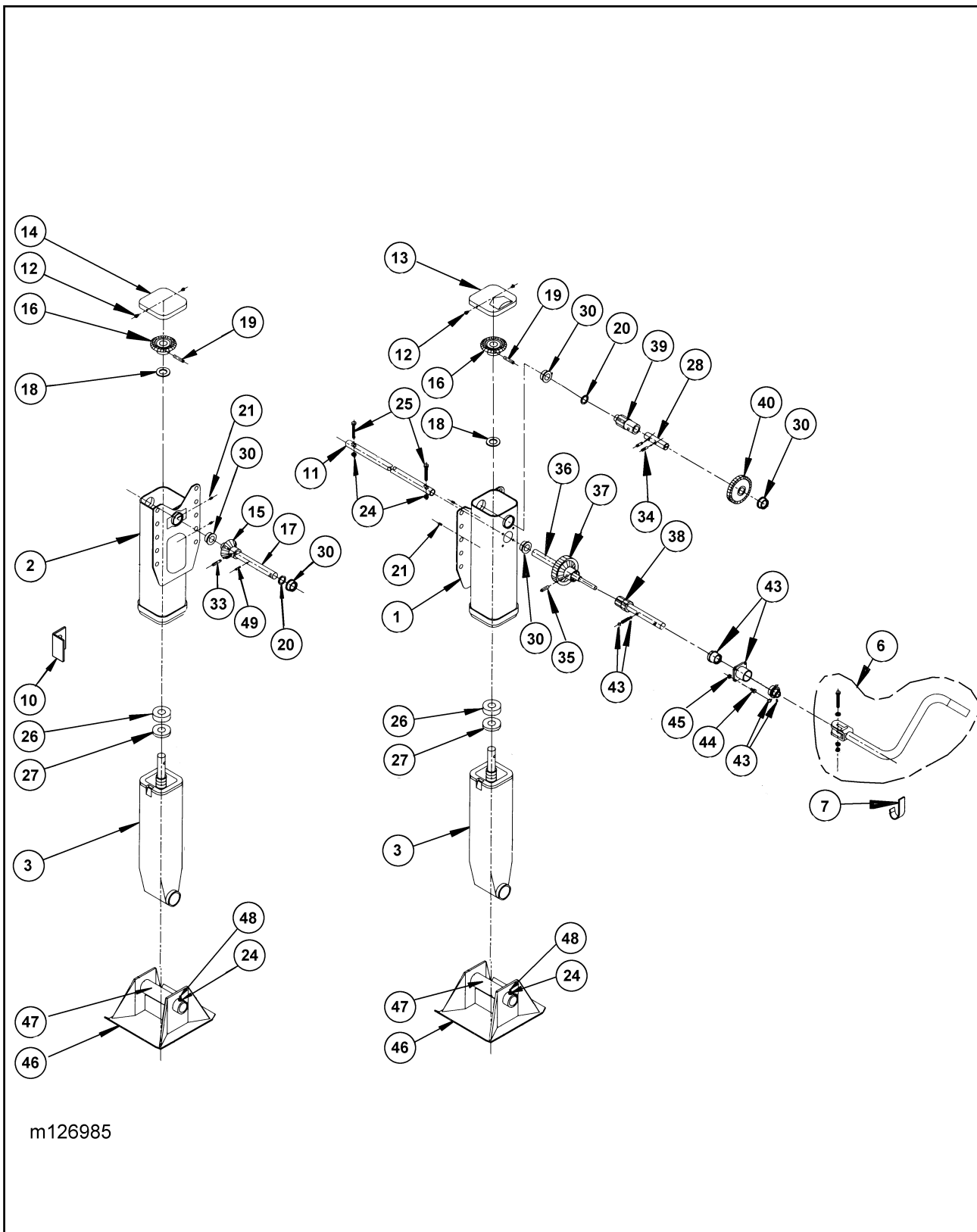
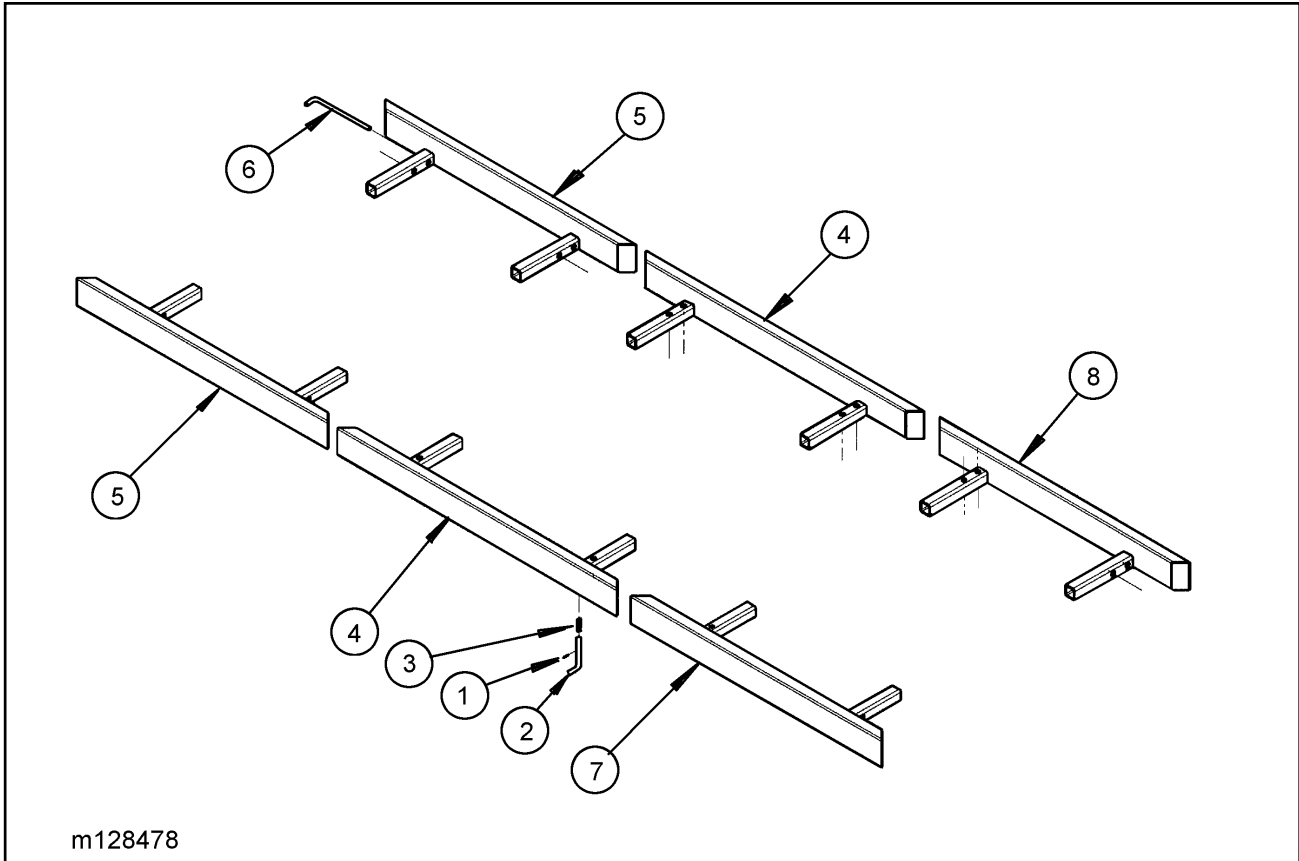


Figure 1-23 Crank Landing Gear

CRANK LANDING GEAR

ITEM	PART NO.	DESCRIPTION	QTY.
	126985	LANDING GEAR INSTALLATION	
1	D10201.2	OUTER HOUSING - 2 SPEED	1
2	D10116.2	OUTER HOUSING - 1 SPEED	1
3	C10140.2	INNER LEG ASSEMBLY - STANDARD	2
6	119949	HANDLE, CRANK	1
7	117559	CLIP, LANDING GEAR HANDLE	1
10	127447	ANCHOR, BOTTOM ANGLE LANDING GEAR	2
11	B10066	INTERMEDIATE CROSS SHAFT	1
12	A10059.1	COVER SCREW	4
13	C10217	COVER - 2 SPEED	1
14	C10259	COVER - 1 SPEED	1
15	C10177	PINION GEAR	1
16	C10155	BEVEL GEAR	2
17	B10130	PINION SHAFT - 1 SPEED	1
18	A10102	THRUST WASHER	2
19	A10052.3	GROOVED PIN	2
20	A10218	SPACER WASHER	2
21	A10040	GREASE FITTING	4
23	C10209	STRUT BRACE (NOT SHOWN)	4
24	A10038.7	SELF LOCKING NUT	2
25	A10037.1	CROSS SHAFT BOLT - 3/8 X 2 GR5	2
26	A10033	THRUST BEARING	2
27	A10101	COLLAR	2
28	A10212	OUTPUT SHAFT	1
30	A10255	BUSHING	5
33	A10054.3	ROLL PIN 3/8 X 1-1/2	1
34	A10260.1	SPIRAL PIN	2
35	A10054.7	ROLL PIN - 3/8 X 1-3/4	1
36	B10236	OUTPUT CLUSTER SHAFT	1
37	C10234	OUTPUT CLUSTER GEAR	1
38	C10233	INPUT GEAR SHAFT	1
39	C10078	OUTPUT SPUR GEAR	1
40	C10085	INPUT SPUR GEAR	1
43	B10229.S	SHIFT HOUSING SERVICE KIT	1
44	A10230	SHIFT HOUSING BOLT	4
45	A10038.6	SELF LOCKING NUT	4
46	C10256	SHOE - 10 X 10 X 4-1/2	2
	129198	SHOE, LOW PROFILE (OPTION)	2
47	B10036	SHOE AXLE	2
48	A10037.3	HEX HEAD BOLT	2
49	A10054.6	ROLL PIN - 1/4 X 1-1/4	1



m128478

Figure 1-24 Pullout Assembly

PULLOUT ASSEMBLY

ITEM	PART NO.	DESCRIPTION	QTY.
	129212	PULLOUT ASSEMBLY	
1	1-647-010004117	SPRING PIN, SLOTTED 1/8 X 1	32
2	104252	PIN, P/O EXT LOCK	26
3	104253	SPRING, COMPRESSION P/O EXT LOCK	32
4	128354	PULLOUT WELDMENT	14
5	128360	PULLOUT WELDMENT, FRONT	2
6	128719	PIN, P/O EXT LOCK LONG	6
7	129205	PULLOUT WELDMENT, REAR LH	1
8	129206	PULLOUT WELDMENT, REAR RH	1

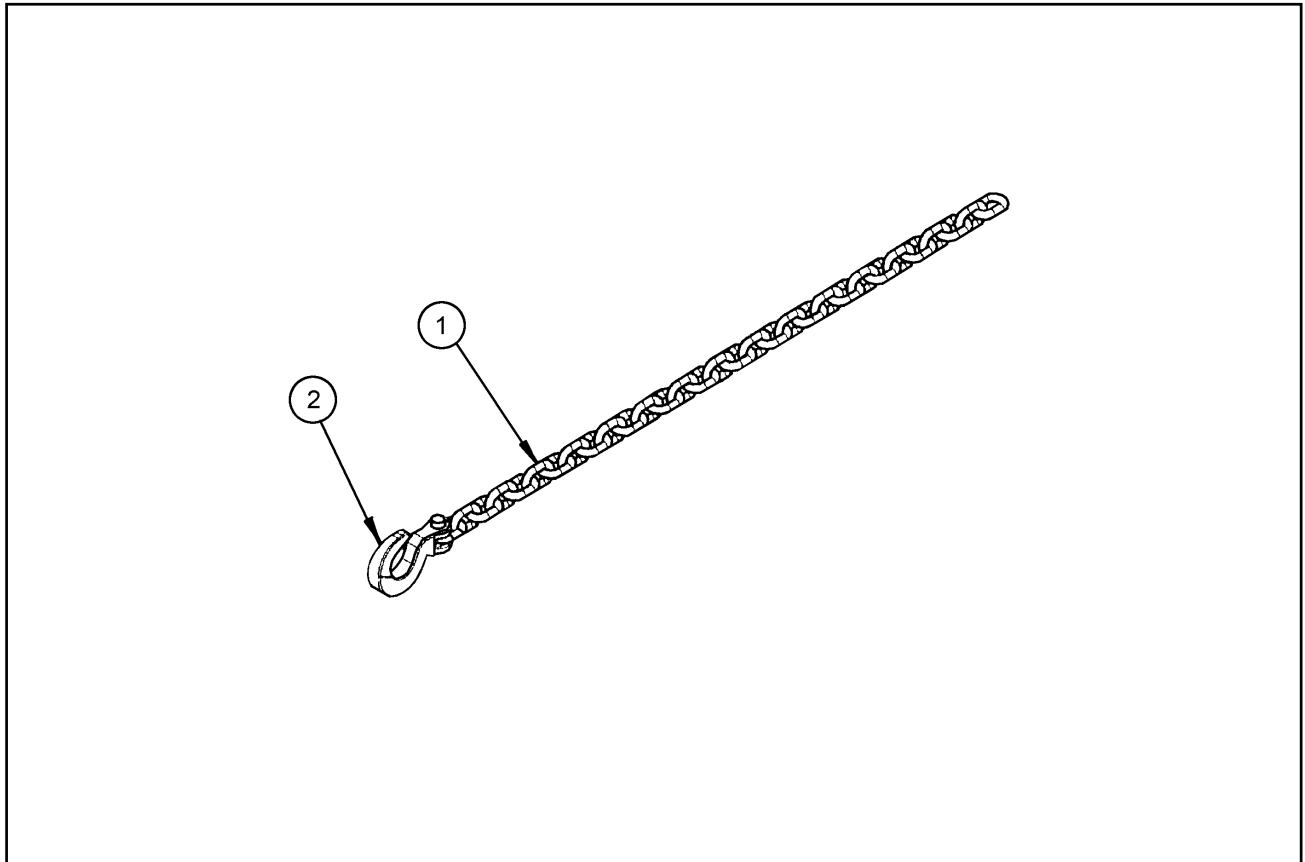


Figure 1-25 Chain and Hook Assembly

CHAIN AND HOOK ASSEMBLY

ITEM	PART NO.	DESCRIPTION	QTY.
	129938	CHAIN AND HOOK ASSEMBLY	
1	3-174-010039	CHAIN, 1/2" GR7	42"
2	7HCGHT500	HOOK, CLEVIS GRAB 1/2	1

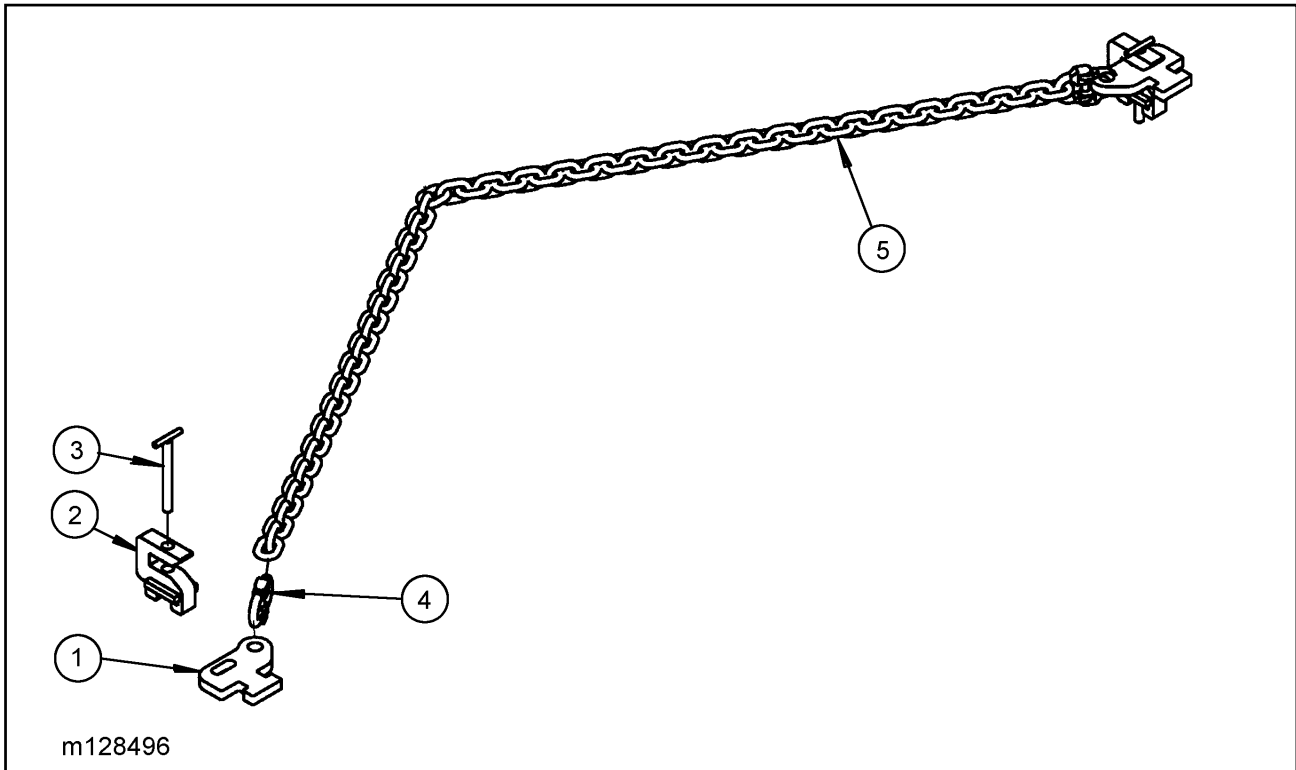


Figure 1-26 Container Load Chain Assembly

CONTAINER LOAD CHAIN ASSEMBLY

ITEM	PART NO.	DESCRIPTION	QTY.
	128496	CONTAINER LOAD CHAIN ASSEMBLY	
1	128480	PLATE, CONTAINER CONNECT	2
2	128482	CONTAINER STOP WELDMENT	2
3	128484	PIN WELDMENT, CONTAINER STOP	2
4	3-174-010038	CHAIN LINK CONNECTING 1/2	2
5	3-174-010039	CHAIN, 1/2" GR7	AR

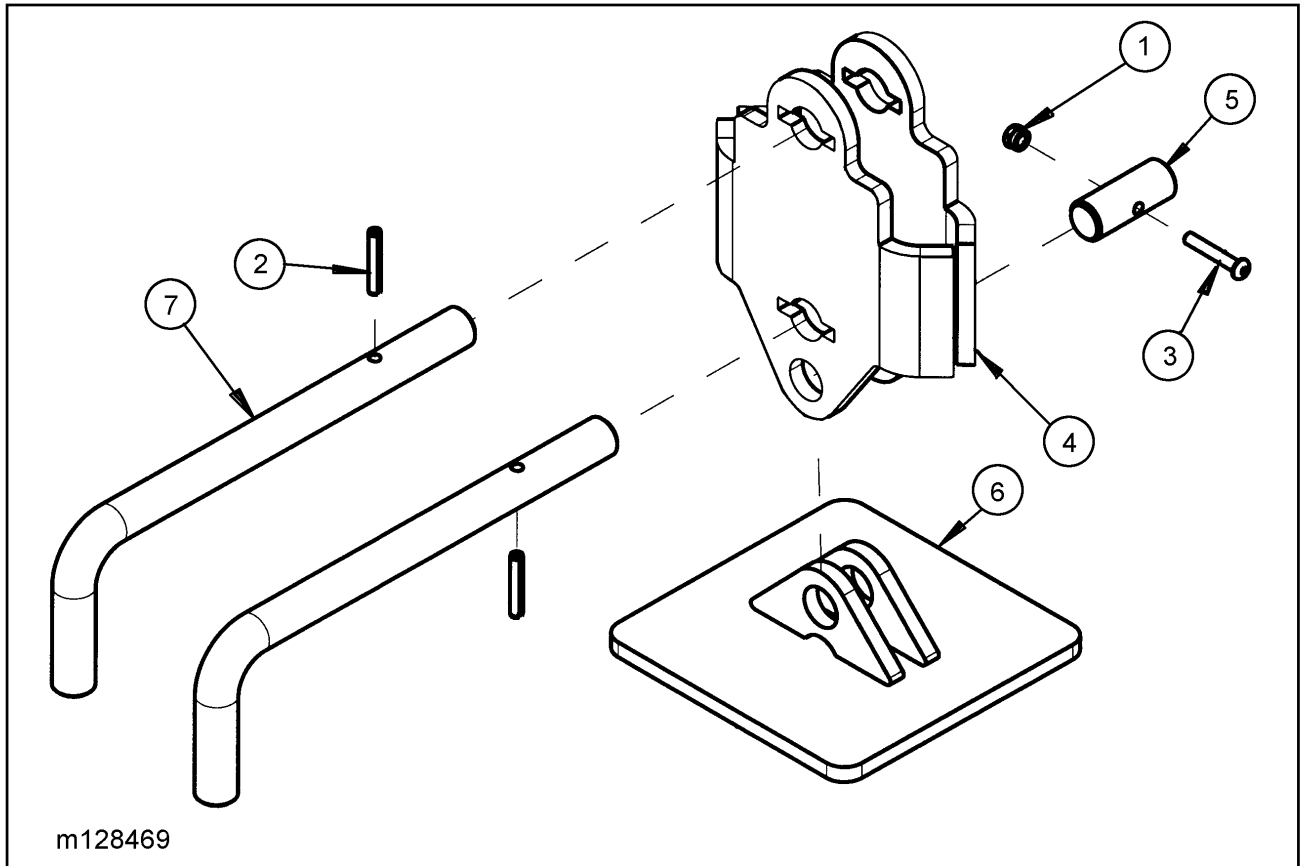


Figure 1-27 Shoe Lock Tiedown Assembly

SHOE LOCK TIEDOWN ASSEMBLY

ITEM	PART NO.	DESCRIPTION	QTY.
	128469	SHOE LOCK TIEDOWN ASSEMBLY	
1	1-512-010005-01	NUT, HEX LOCK 1/4-20	2
2	1-647-010004217	SPRING PIN, SLOTTED 1/4 X 1-1/2	4
3	108220	SCREW, BUTTON HEAD CAP 1/4-20 X 1-1/2	2
4	126111	FOOT WELDMENT, CONTAINER OFFLOAD	2
5	126114	PIN, BOTTOM OFFLOAD FOOT	2
6	126117	BASE WELDMENT, OFFLOAD FOOT	2
7	127843	PIN, TOP OFFLOAD FOOT	4

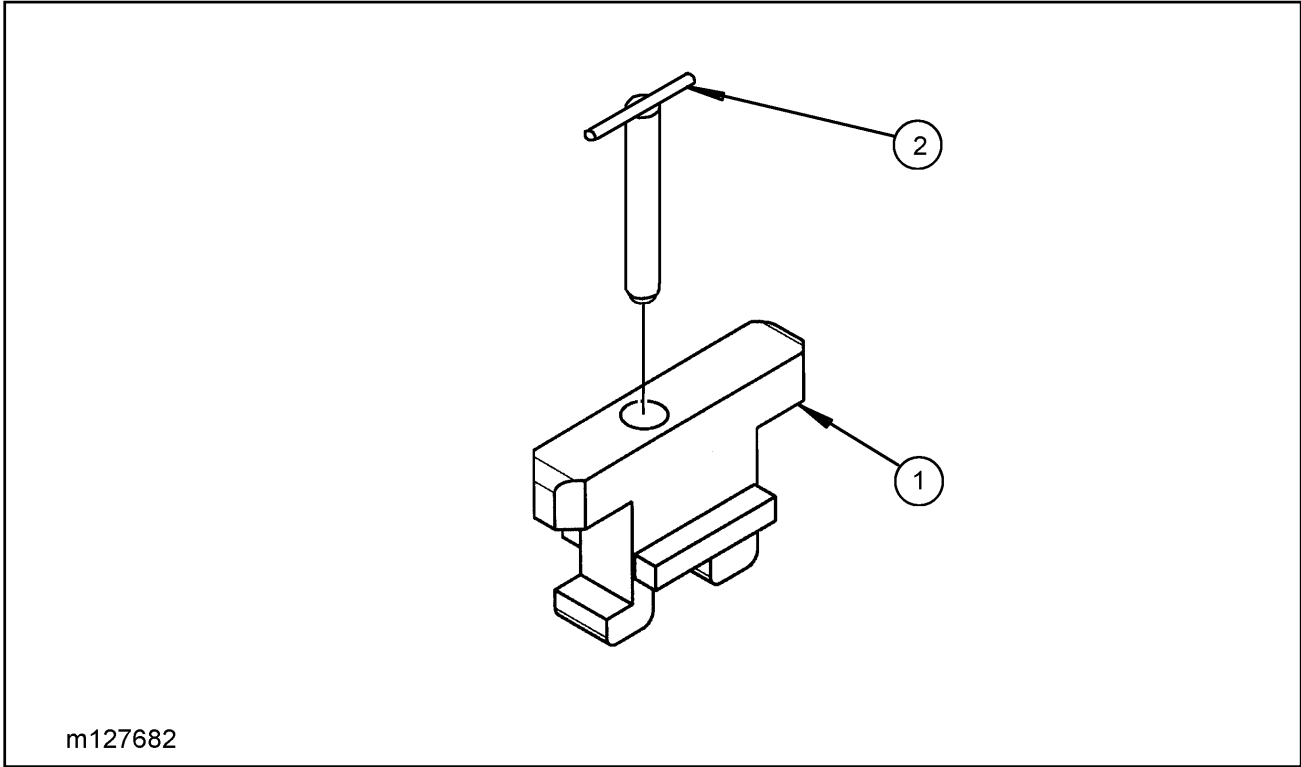


Figure 1-28 Container Stop Assembly

CONTAINER STOP ASSEMBLY

ITEM	PART NO.	DESCRIPTION	QTY.
	127682	SHOE LOCK TIEDOWN ASSEMBLY	
1	127320	STOP WELDMENT, CONTAINER	2
2	127450	PIN WELDMENT, CONTAINER STOP	2

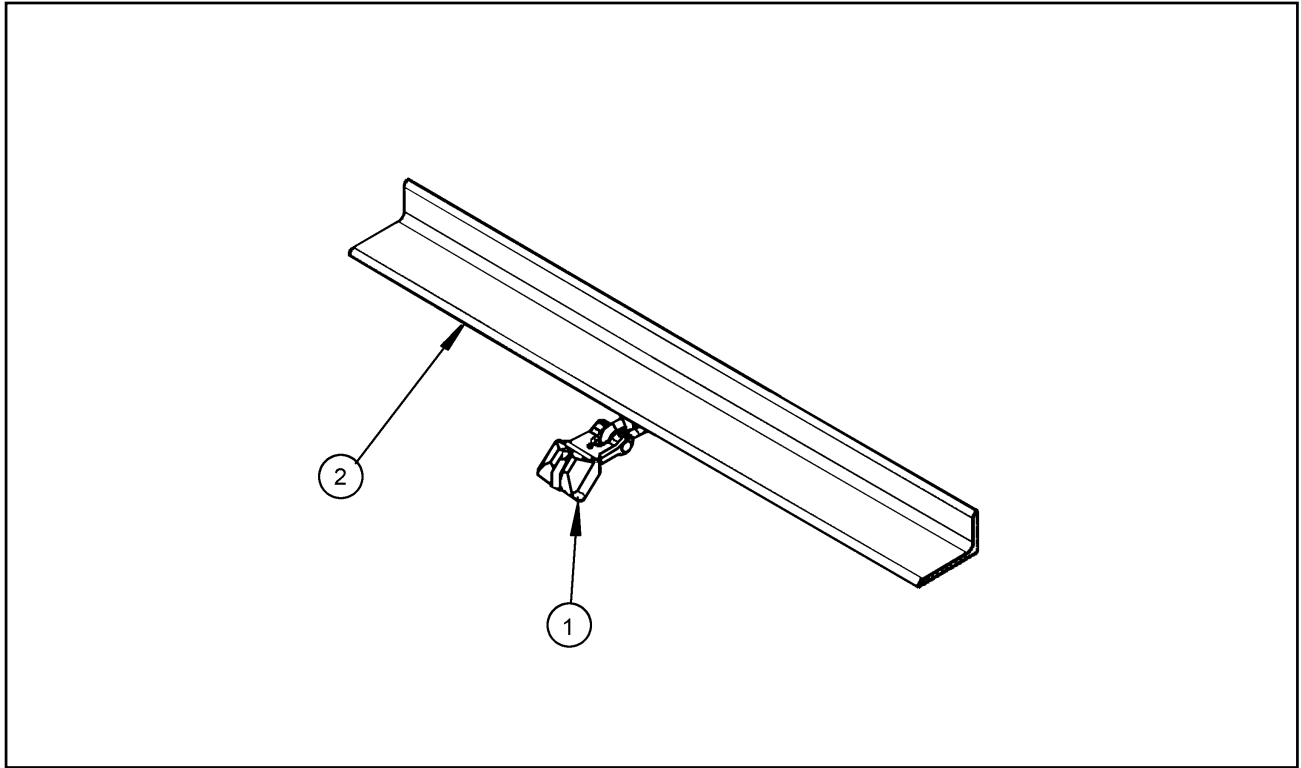


Figure 1-29 Container Pusher Assembly

CONTAINER PUSHER ASSEMBLY

ITEM	PART NO.	DESCRIPTION	QTY.
	129210	PUSHER, CONTAINER ASSEMBLY	
1	128500	CHAIN, SHORTENER LINK 1/2	1
2	128783	PUSHER, CONTAINER UNLOAD	1

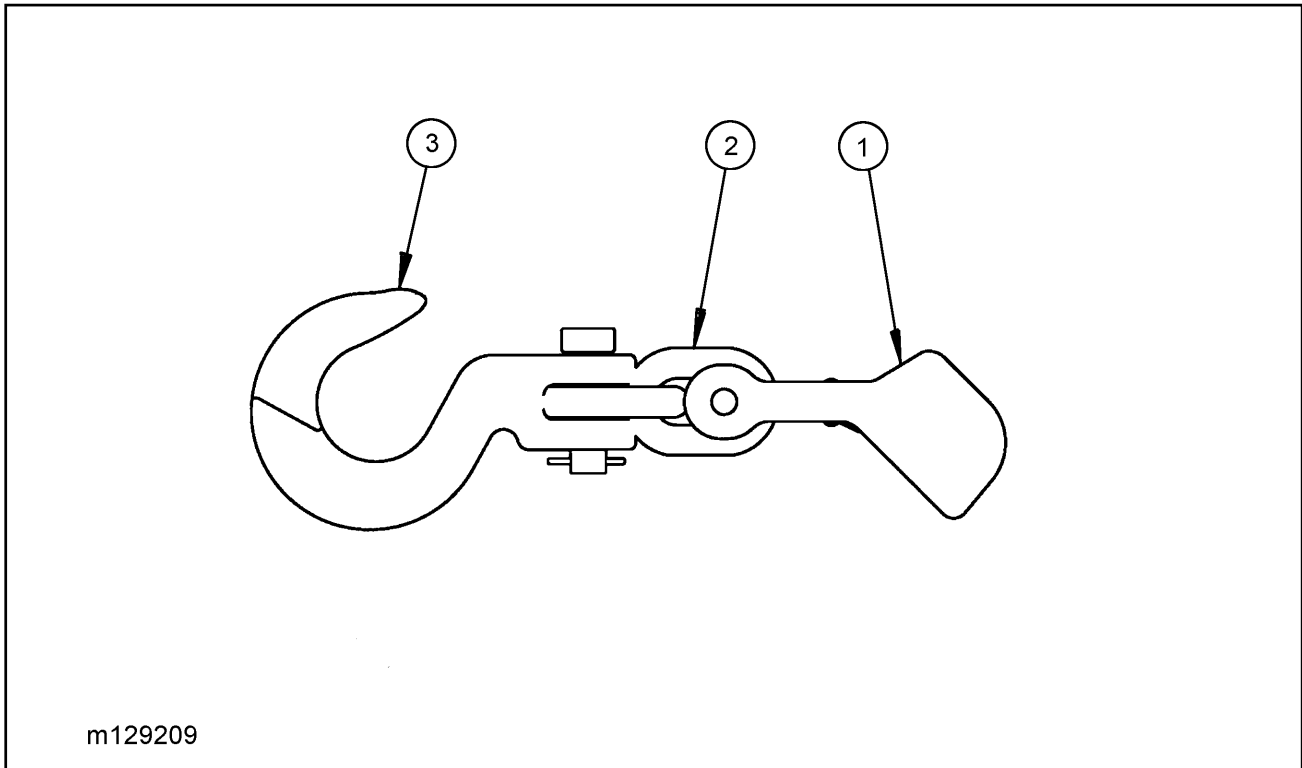


Figure 1-30 Chain Connect/ Container Assembly

CHAIN CONNECT/ CONTAINER ASSEMBLY

ITEM	PART NO.	DESCRIPTION	QTY.
	129209	CHAIN CONNECT/ CONTAINER ASSEMBLY	
1	128500	CHAIN SHORTENER LINK 1/2	1
2	3-174-010039	CHAIN 1/2" GR7	4"
3	7HCGHT500	HOOK CLEVIS GRAB 1/2	1



1



2

LANDOLL®

3

340

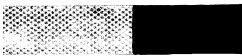
4

CAUTION

MAXIMUM CONCENTRATED LOAD IN A 10 FT. AREA 10,000 LBS.

3-573-010134

7



10

LANDOLL CORPORATION
1900 NORTH
MARYSVILLE, KS 66508-0111
MANUFACTURED IN: _____ (MO/YR)

DOT

103055

11

IMPORTANT

CONNECT FEMALE HYDRAULIC COUPLER FROM TRACTOR WET KIT OR ENGINE PACKAGE TO MALE HYDRAULIC COUPLER AT FRONT OF TRAILER FIRST TO RELIEVE PRESSURE IN TRAILER LINES.

105822

14

WARNING

TRAILER OPERATION

1. PARK TRACTOR AND TRAILER IN A STRAIGHT LINE ON RELATIVELY LEVEL GROUND.
2. SET TRACTOR BRAKES AND RELEASE TRAILER BRAKES.
3. ENGAGE PTO. **WARNING** ALWAYS USE TILM LINK ANGLE TO LOAD AND UNLOAD POWERED PRODUCTS.
4. PULL AXLES FORWARD OUT OF POCKETS. **WARNING** ALWAYS USE TILM LINK ANGLE TO LOAD AND UNLOAD POWERED PRODUCTS.
5. TO ACHIEVE LOW LOAD ANGLE, ALTERNATE BETWEEN RAISING THE TRAILER AND PULLING THE AXLES FORWARD UNTIL THE APPROPRIATE PLATE TOUCHES THE GROUND AND THE AXLES ARE COMPLETELY FORWARD. **CAUTION** DO NOT ALLOW TILM AXLES TO LEAVE THE GROUND.
6. MAXIMUM ANGLE IS ONLY INTENDED IF REQUIRED FOR UNLOADING NON-POWERED PRODUCTS AND TO TRANSFER LOAD TO TRACTOR. TRANSFER LOAD TO TRACTOR BY RAISING BECK AND MOVING AXLES TOWARD REAR UNTIL LOAD IS FORWARD OF REAR AXLES, THUS TRANSFERRING LOAD TO TRACTOR.
7. TO RETURN TO LEVEL POSITION, REVERSE STEPS USED TO TILT THE TRAILER.

3-573-010127

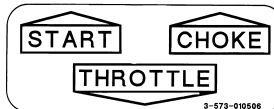
6

WARNING

IN THE EVENT OF COLLISION OR DAMAGE TO BUMPER OR ENERGY PACK, REPLACEMENT IS MANDATORY BEFORE FURTHER OPERATION OF THE TRAILER.

103056

12



15

PULL UP TO RAISE | PULL UP TO REEL IN | PULL UP TO RETRACT
5th WHEEL | WINCH | AXLE
 PUSH DOWN TO LOWER | PUSH DOWN TO REEL OUT | PUSH DOWN TO EXTEND

5

TORQUE SPECIFICATIONS FOR PILOT MOUNTED DISC WHEELS

⚠ DANGER

READ TO STUD HUBS
 Applies to 302 & 303 disc wheel pilots. Manager's use.
 All bolts are tight-tolerance.
 Tighten to 100 ft-lbs (13.6 kg-m) for 302 & 303.
 Tighten to 120 ft-lbs (16.3 kg-m) for 304.
 Tighten to 140 ft-lbs (18.9 kg-m) for 305.
 Tighten to 160 ft-lbs (21.5 kg-m) for 306.
 Tighten to 180 ft-lbs (24.1 kg-m) for 307.
 Tighten to 200 ft-lbs (27.1 kg-m) for 308.
 Tighten to 220 ft-lbs (30.1 kg-m) for 309.
 Tighten to 240 ft-lbs (32.7 kg-m) for 310.
 Tighten to 260 ft-lbs (35.3 kg-m) for 311.
 Tighten to 280 ft-lbs (37.9 kg-m) for 312.
 Tighten to 300 ft-lbs (40.5 kg-m) for 313.
 Tighten to 320 ft-lbs (43.1 kg-m) for 314.
 Tighten to 340 ft-lbs (45.7 kg-m) for 315.
 Tighten to 360 ft-lbs (48.3 kg-m) for 316.
 Tighten to 380 ft-lbs (50.9 kg-m) for 317.
 Tighten to 400 ft-lbs (53.5 kg-m) for 318.
 Tighten to 420 ft-lbs (56.1 kg-m) for 319.
 Tighten to 440 ft-lbs (58.7 kg-m) for 320.
 Tighten to 460 ft-lbs (61.3 kg-m) for 321.
 Tighten to 480 ft-lbs (63.9 kg-m) for 322.
 Tighten to 500 ft-lbs (66.5 kg-m) for 323.
 Tighten to 520 ft-lbs (69.1 kg-m) for 324.
 Tighten to 540 ft-lbs (71.7 kg-m) for 325.
 Tighten to 560 ft-lbs (74.3 kg-m) for 326.
 Tighten to 580 ft-lbs (76.9 kg-m) for 327.
 Tighten to 600 ft-lbs (79.5 kg-m) for 328.
 Tighten to 620 ft-lbs (82.1 kg-m) for 329.
 Tighten to 640 ft-lbs (84.7 kg-m) for 330.
 Tighten to 660 ft-lbs (87.3 kg-m) for 331.
 Tighten to 680 ft-lbs (89.9 kg-m) for 332.
 Tighten to 700 ft-lbs (92.5 kg-m) for 333.
 Tighten to 720 ft-lbs (95.1 kg-m) for 334.
 Tighten to 740 ft-lbs (97.7 kg-m) for 335.
 Tighten to 760 ft-lbs (100.3 kg-m) for 336.
 Tighten to 780 ft-lbs (102.9 kg-m) for 337.
 Tighten to 800 ft-lbs (105.5 kg-m) for 338.
 Tighten to 820 ft-lbs (108.1 kg-m) for 339.
 Tighten to 840 ft-lbs (110.7 kg-m) for 340.
 Tighten to 860 ft-lbs (113.3 kg-m) for 341.
 Tighten to 880 ft-lbs (115.9 kg-m) for 342.
 Tighten to 900 ft-lbs (118.5 kg-m) for 343.
 Tighten to 920 ft-lbs (121.1 kg-m) for 344.
 Tighten to 940 ft-lbs (123.7 kg-m) for 345.
 Tighten to 960 ft-lbs (126.3 kg-m) for 346.
 Tighten to 980 ft-lbs (128.9 kg-m) for 347.
 Tighten to 1000 ft-lbs (131.5 kg-m) for 348.
 Tighten to 1020 ft-lbs (134.1 kg-m) for 349.
 Tighten to 1040 ft-lbs (136.7 kg-m) for 350.
 Tighten to 1060 ft-lbs (139.3 kg-m) for 351.
 Tighten to 1080 ft-lbs (141.9 kg-m) for 352.
 Tighten to 1100 ft-lbs (144.5 kg-m) for 353.
 Tighten to 1120 ft-lbs (147.1 kg-m) for 354.
 Tighten to 1140 ft-lbs (149.7 kg-m) for 355.
 Tighten to 1160 ft-lbs (152.3 kg-m) for 356.
 Tighten to 1180 ft-lbs (154.9 kg-m) for 357.
 Tighten to 1200 ft-lbs (157.5 kg-m) for 358.
 Tighten to 1220 ft-lbs (160.1 kg-m) for 359.
 Tighten to 1240 ft-lbs (162.7 kg-m) for 360.
 Tighten to 1260 ft-lbs (165.3 kg-m) for 361.
 Tighten to 1280 ft-lbs (167.9 kg-m) for 362.
 Tighten to 1300 ft-lbs (170.5 kg-m) for 363.
 Tighten to 1320 ft-lbs (173.1 kg-m) for 364.
 Tighten to 1340 ft-lbs (175.7 kg-m) for 365.
 Tighten to 1360 ft-lbs (178.3 kg-m) for 366.
 Tighten to 1380 ft-lbs (180.9 kg-m) for 367.
 Tighten to 1400 ft-lbs (183.5 kg-m) for 368.
 Tighten to 1420 ft-lbs (186.1 kg-m) for 369.
 Tighten to 1440 ft-lbs (188.7 kg-m) for 370.
 Tighten to 1460 ft-lbs (191.3 kg-m) for 371.
 Tighten to 1480 ft-lbs (193.9 kg-m) for 372.
 Tighten to 1500 ft-lbs (196.5 kg-m) for 373.
 Tighten to 1520 ft-lbs (199.1 kg-m) for 374.
 Tighten to 1540 ft-lbs (201.7 kg-m) for 375.
 Tighten to 1560 ft-lbs (204.3 kg-m) for 376.
 Tighten to 1580 ft-lbs (206.9 kg-m) for 377.
 Tighten to 1600 ft-lbs (209.5 kg-m) for 378.
 Tighten to 1620 ft-lbs (212.1 kg-m) for 379.
 Tighten to 1640 ft-lbs (214.7 kg-m) for 380.
 Tighten to 1660 ft-lbs (217.3 kg-m) for 381.
 Tighten to 1680 ft-lbs (219.9 kg-m) for 382.
 Tighten to 1700 ft-lbs (222.5 kg-m) for 383.
 Tighten to 1720 ft-lbs (225.1 kg-m) for 384.
 Tighten to 1740 ft-lbs (227.7 kg-m) for 385.
 Tighten to 1760 ft-lbs (230.3 kg-m) for 386.
 Tighten to 1780 ft-lbs (232.9 kg-m) for 387.
 Tighten to 1800 ft-lbs (235.5 kg-m) for 388.
 Tighten to 1820 ft-lbs (238.1 kg-m) for 389.
 Tighten to 1840 ft-lbs (240.7 kg-m) for 390.
 Tighten to 1860 ft-lbs (243.3 kg-m) for 391.
 Tighten to 1880 ft-lbs (245.9 kg-m) for 392.
 Tighten to 1900 ft-lbs (248.5 kg-m) for 393.
 Tighten to 1920 ft-lbs (251.1 kg-m) for 394.
 Tighten to 1940 ft-lbs (253.7 kg-m) for 395.
 Tighten to 1960 ft-lbs (256.3 kg-m) for 396.
 Tighten to 1980 ft-lbs (258.9 kg-m) for 397.
 Tighten to 2000 ft-lbs (261.5 kg-m) for 398.
 Tighten to 2020 ft-lbs (264.1 kg-m) for 399.
 Tighten to 2040 ft-lbs (266.7 kg-m) for 400.
 Tighten to 2060 ft-lbs (269.3 kg-m) for 401.
 Tighten to 2080 ft-lbs (271.9 kg-m) for 402.
 Tighten to 2100 ft-lbs (274.5 kg-m) for 403.
 Tighten to 2120 ft-lbs (277.1 kg-m) for 404.
 Tighten to 2140 ft-lbs (279.7 kg-m) for 405.
 Tighten to 2160 ft-lbs (282.3 kg-m) for 406.
 Tighten to 2180 ft-lbs (284.9 kg-m) for 407.
 Tighten to 2200 ft-lbs (287.5 kg-m) for 408.
 Tighten to 2220 ft-lbs (290.1 kg-m) for 409.
 Tighten to 2240 ft-lbs (292.7 kg-m) for 410.
 Tighten to 2260 ft-lbs (295.3 kg-m) for 411.
 Tighten to 2280 ft-lbs (297.9 kg-m) for 412.
 Tighten to 2300 ft-lbs (300.5 kg-m) for 413.
 Tighten to 2320 ft-lbs (303.1 kg-m) for 414.
 Tighten to 2340 ft-lbs (305.7 kg-m) for 415.
 Tighten to 2360 ft-lbs (308.3 kg-m) for 416.
 Tighten to 2380 ft-lbs (310.9 kg-m) for 417.
 Tighten to 2400 ft-lbs (313.5 kg-m) for 418.
 Tighten to 2420 ft-lbs (316.1 kg-m) for 419.
 Tighten to 2440 ft-lbs (318.7 kg-m) for 420.
 Tighten to 2460 ft-lbs (321.3 kg-m) for 421.
 Tighten to 2480 ft-lbs (323.9 kg-m) for 422.
 Tighten to 2500 ft-lbs (326.5 kg-m) for 423.
 Tighten to 2520 ft-lbs (329.1 kg-m) for 424.
 Tighten to 2540 ft-lbs (331.7 kg-m) for 425.
 Tighten to 2560 ft-lbs (334.3 kg-m) for 426.
 Tighten to 2580 ft-lbs (336.9 kg-m) for 427.
 Tighten to 2600 ft-lbs (339.5 kg-m) for 428.
 Tighten to 2620 ft-lbs (342.1 kg-m) for 429.
 Tighten to 2640 ft-lbs (344.7 kg-m) for 430.
 Tighten to 2660 ft-lbs (347.3 kg-m) for 431.
 Tighten to 2680 ft-lbs (349.9 kg-m) for 432.
 Tighten to 2700 ft-lbs (352.5 kg-m) for 433.
 Tighten to 2720 ft-lbs (355.1 kg-m) for 434.
 Tighten to 2740 ft-lbs (357.7 kg-m) for 435.
 Tighten to 2760 ft-lbs (360.3 kg-m) for 436.
 Tighten to 2780 ft-lbs (362.9 kg-m) for 437.
 Tighten to 2800 ft-lbs (365.5 kg-m) for 438.
 Tighten to 2820 ft-lbs (368.1 kg-m) for 439.
 Tighten to 2840 ft-lbs (370.7 kg-m) for 440.
 Tighten to 2860 ft-lbs (373.3 kg-m) for 441.
 Tighten to 2880 ft-lbs (375.9 kg-m) for 442.
 Tighten to 2900 ft-lbs (378.5 kg-m) for 443.
 Tighten to 2920 ft-lbs (381.1 kg-m) for 444.
 Tighten to 2940 ft-lbs (383.7 kg-m) for 445.
 Tighten to 2960 ft-lbs (386.3 kg-m) for 446.
 Tighten to 2980 ft-lbs (388.9 kg-m) for 447.
 Tighten to 3000 ft-lbs (391.5 kg-m) for 448.
 Tighten to 3020 ft-lbs (394.1 kg-m) for 449.
 Tighten to 3040 ft-lbs (396.7 kg-m) for 450.
 Tighten to 3060 ft-lbs (399.3 kg-m) for 451.
 Tighten to 3080 ft-lbs (401.9 kg-m) for 452.
 Tighten to 3100 ft-lbs (404.5 kg-m) for 453.
 Tighten to 3120 ft-lbs (407.1 kg-m) for 454.
 Tighten to 3140 ft-lbs (409.7 kg-m) for 455.
 Tighten to 3160 ft-lbs (412.3 kg-m) for 456.
 Tighten to 3180 ft-lbs (414.9 kg-m) for 457.
 Tighten to 3200 ft-lbs (417.5 kg-m) for 458.
 Tighten to 3220 ft-lbs (420.1 kg-m) for 459.
 Tighten to 3240 ft-lbs (422.7 kg-m) for 460.
 Tighten to 3260 ft-lbs (425.3 kg-m) for 461.
 Tighten to 3280 ft-lbs (427.9 kg-m) for 462.
 Tighten to 3300 ft-lbs (430.5 kg-m) for 463.
 Tighten to 3320 ft-lbs (433.1 kg-m) for 464.
 Tighten to 3340 ft-lbs (435.7 kg-m) for 465.
 Tighten to 3360 ft-lbs (438.3 kg-m) for 466.
 Tighten to 3380 ft-lbs (440.9 kg-m) for 467.
 Tighten to 3400 ft-lbs (443.5 kg-m) for 468.
 Tighten to 3420 ft-lbs (446.1 kg-m) for 469.
 Tighten to 3440 ft-lbs (448.7 kg-m) for 470.
 Tighten to 3460 ft-lbs (451.3 kg-m) for 471.
 Tighten to 3480 ft-lbs (453.9 kg-m) for 472.
 Tighten to 3500 ft-lbs (456.5 kg-m) for 473.
 Tighten to 3520 ft-lbs (459.1 kg-m) for 474.
 Tighten to 3540 ft-lbs (461.7 kg-m) for 475.
 Tighten to 3560 ft-lbs (464.3 kg-m) for 476.
 Tighten to 3580 ft-lbs (466.9 kg-m) for 477.
 Tighten to 3600 ft-lbs (469.5 kg-m) for 478.
 Tighten to 3620 ft-lbs (472.1 kg-m) for 479.
 Tighten to 3640 ft-lbs (474.7 kg-m) for 480.
 Tighten to 3660 ft-lbs (477.3 kg-m) for 481.
 Tighten to 3680 ft-lbs (479.9 kg-m) for 482.
 Tighten to 3700 ft-lbs (482.5 kg-m) for 483.
 Tighten to 3720 ft-lbs (485.1 kg-m) for 484.
 Tighten to 3740 ft-lbs (487.7 kg-m) for 485.
 Tighten to 3760 ft-lbs (490.3 kg-m) for 486.
 Tighten to 3780 ft-lbs (492.9 kg-m) for 487.
 Tighten to 3800 ft-lbs (495.5 kg-m) for 488.
 Tighten to 3820 ft-lbs (498.1 kg-m) for 489.
 Tighten to 3840 ft-lbs (500.7 kg-m) for 490.
 Tighten to 3860 ft-lbs (503.3 kg-m) for 491.
 Tighten to 3880 ft-lbs (505.9 kg-m) for 492.
 Tighten to 3900 ft-lbs (508.5 kg-m) for 493.
 Tighten to 3920 ft-lbs (511.1 kg-m) for 494.
 Tighten to 3940 ft-lbs (513.7 kg-m) for 495.
 Tighten to 3960 ft-lbs (516.3 kg-m) for 496.
 Tighten to 3980 ft-lbs (518.9 kg-m) for 497.
 Tighten to 4000 ft-lbs (521.5 kg-m) for 498.
 Tighten to 4020 ft-lbs (524.1 kg-m) for 499.
 Tighten to 4040 ft-lbs (526.7 kg-m) for 500.
 Tighten to 4060 ft-lbs (529.3 kg-m) for 501.
 Tighten to 4080 ft-lbs (531.9 kg-m) for 502.
 Tighten to 4100 ft-lbs (534.5 kg-m) for 503.
 Tighten to 4120 ft-lbs (537.1 kg-m) for 504.
 Tighten to 4140 ft-lbs (539.7 kg-m) for 505.
 Tighten to 4160 ft-lbs (542.3 kg-m) for 506.
 Tighten to 4180 ft-lbs (544.9 kg-m) for 507.
 Tighten to 4200 ft-lbs (547.5 kg-m) for 508.
 Tighten to 4220 ft-lbs (550.1 kg-m) for 509.
 Tighten to 4240 ft-lbs (552.7 kg-m) for 510.
 Tighten to 4260 ft-lbs (555.3 kg-m) for 511.
 Tighten to 4280 ft-lbs (557.9 kg-m) for 512.
 Tighten to 4300 ft-lbs (560.5 kg-m) for 513.
 Tighten to 4320 ft-lbs (563.1 kg-m) for 514.
 Tighten to 4340 ft-lbs (565.7 kg-m) for 515.
 Tighten to 4360 ft-lbs (568.3 kg-m) for 516.
 Tighten to 4380 ft-lbs (570.9 kg-m) for 517.
 Tighten to 4400 ft-lbs (573.5 kg-m) for 518.
 Tighten to 4420 ft-lbs (576.1 kg-m) for 519.
 Tighten to 4440 ft-lbs (578.7 kg-m) for 520.
 Tighten to 4460 ft-lbs (581.3 kg-m) for 521.
 Tighten to 4480 ft-lbs (583.9 kg-m) for 522.
 Tighten to 4500 ft-lbs (586.5 kg-m) for 523.
 Tighten to 4520 ft-lbs (589.1 kg-m) for 524.
 Tighten to 4540 ft-lbs (591.7 kg-m) for 525.
 Tighten to 4560 ft-lbs (594.3 kg-m) for 526.
 Tighten to 4580 ft-lbs (596.9 kg-m) for 527.
 Tighten to 4600 ft-lbs (599.5 kg-m) for 528.
 Tighten to 4620 ft-lbs (602.1 kg-m) for 529.
 Tighten to 4640 ft-lbs (604.7 kg-m) for 530.
 Tighten to 4660 ft-lbs (607.3 kg-m) for 531.
 Tighten to 4680 ft-lbs (609.9 kg-m) for 532.
 Tighten to 4700 ft-lbs (612.5 kg-m) for 533.
 Tighten to 4720 ft-lbs (615.1 kg-m) for 534.
 Tighten to 4740 ft-lbs (617.7 kg-m) for 535.
 Tighten to 4760 ft-lbs (620.3 kg-m) for 536.
 Tighten to 4780 ft-lbs (622.9 kg-m) for 537.
 Tighten to 4800 ft-lbs (625.5 kg-m) for 538.
 Tighten to 4820 ft-lbs (628.1 kg-m) for 539.
 Tighten to 4840 ft-lbs (630.7 kg-m) for 540.
 Tighten to 4860 ft-lbs (633.3 kg-m) for 541.
 Tighten to 4880 ft-lbs (635.9 kg-m) for 542.
 Tighten to 4900 ft-lbs (638.5 kg-m) for 543.
 Tighten to 4920 ft-lbs (641.1 kg-m) for 544.
 Tighten to 4940 ft-lbs (643.7 kg-m) for 545.
 Tighten to 4960 ft-lbs (646.3 kg-m) for 546.
 Tighten to 4980 ft-lbs (648.9 kg-m) for 547.
 Tighten to 5000 ft-lbs (651.5 kg-m) for 548.
 Tighten to 5020 ft-lbs (654.1 kg-m) for 549.
 Tighten to 5040 ft-lbs (656.7 kg-m) for 550.
 Tighten to 5060 ft-lbs (659.3 kg-m) for 551.
 Tighten to 5080 ft-lbs (661.9 kg-m) for 552.
 Tighten to 5100 ft-lbs (664.5 kg-m) for 553.
 Tighten to 5120 ft-lbs (667.1 kg-m) for 554.
 Tighten to 5140 ft-lbs (669.7 kg-m) for 555.
 Tighten to 5160 ft-lbs (672.3 kg-m) for 556.
 Tighten to 5180 ft-lbs (674.9 kg-m) for 557.
 Tighten to 5200 ft-lbs (677.5 kg-m) for 558.
 Tighten to 5220 ft-lbs (680.1 kg-m) for 559.
 Tighten to 5240 ft-lbs (682.7 kg-m) for 560.
 Tighten to 5260 ft-lbs (685.3 kg-m) for 561.
 Tighten to 5280 ft-lbs (687.9 kg-m) for 562.
 Tighten to 5300 ft-lbs (690.5 kg-m) for 563.
 Tighten to 5320 ft-lbs (693.1 kg-m) for 564.
 Tighten to 5340 ft-lbs (695.7 kg-m) for 565.
 Tighten to 5360 ft-lbs (698.3 kg-m) for 566.
 Tighten to 5380 ft-lbs (700.9 kg-m) for 567.
 Tighten to 5400 ft-lbs (703.5 kg-m) for 568.
 Tighten to 5420 ft-lbs (706.1 kg-m) for 569.
 Tighten to 5440 ft-lbs (708.7 kg-m) for 570.
 Tighten to 5460 ft-lbs (711.3 kg-m) for 571.
 Tighten to 5480 ft-lbs (713.9 kg-m) for 572.
 Tighten to 5500 ft-lbs (716.5 kg-m) for 573.
 Tighten to 5520 ft-lbs (719.1 kg-m) for 574.
 Tighten to 5540 ft-lbs (721.7 kg-m) for 575.
 Tighten to 5560 ft-lbs (724.3 kg-m) for 576.
 Tighten to 5580 ft-lbs (726.9 kg-m) for 577.
 Tighten to 5600 ft-lbs (729.5 kg-m) for 578.
 Tighten to 5620 ft-lbs (732.1 kg-m) for 579.
 Tighten to 5640 ft-lbs (734.7 kg-m) for 580.
 Tighten to 5660 ft-lbs (737.3 kg-m) for 581.
 Tighten to 5680 ft-lbs (739.9 kg-m) for 582.
 Tighten to 5700 ft-lbs (742.5 kg-m) for 583.
 Tighten to 5720 ft-lbs (745.1 kg-m) for 584.
 Tighten to 5740 ft-lbs (747.7 kg-m) for 585.
 Tighten to 5760 ft-lbs (750.3 kg-m) for 586.
 Tighten to 5780 ft-lbs (752.9 kg-m) for 587.
 Tighten to 5800 ft-lbs (755.5 kg-m) for 588.
 Tighten to 5820 ft-lbs (758.1 kg-m) for 589.
 Tighten to 5840 ft-lbs (760.7 kg-m) for 590.
 Tighten to 5860 ft-lbs (763.3 kg-m) for 591.
 Tighten to 5880 ft-lbs (765.9 kg-m) for 592.
 Tighten to 5900 ft-lbs (768.5 kg-m) for 593.
 Tighten to 5920 ft-lbs (771.1 kg-m) for 594.
 Tighten to 5940 ft-lbs (773.7 kg-m) for 595.
 Tighten to 5960 ft-lbs (776.3 kg-m) for 596.
 Tighten to 5980 ft-lbs (778.9 kg-m) for 597.
 Tighten to 6000 ft-lbs (781.5 kg-m) for 598.
 Tighten to 6020 ft-lbs (784.1 kg-m) for 599.
 Tighten to 6040 ft-lbs (786.7 kg-m) for 600.
 Tighten to 6060 ft-lbs (789.3 kg-m) for 601.
 Tighten to 6080 ft-lbs (791.9 kg-m) for 602.
 Tighten to 6100 ft-lbs (794.5 kg-m) for 603.
 Tighten to 6120 ft-lbs (797.1 kg-m) for 604.
 Tighten to 6140 ft-lbs (799.7 kg-m) for 605.
 Tighten to 6160 ft-lbs (802.3 kg-m) for 606.
 Tighten to 6180 ft-lbs (804.9 kg-m) for 607.
 Tighten to 6200 ft-lbs (807.5 kg-m) for 608.
 Tighten to 6220 ft-lbs (810.1 kg-m) for 609.
 Tighten to 6240 ft-lbs (812.7 kg-m) for 610.
 Tighten to 6260 ft-lbs (815.3 kg-m) for 611.
 Tighten to 6280 ft-lbs (817.9 kg-m) for 612.
 Tighten to 6300 ft-lbs (820.5 kg-m) for 613.
 Tighten to 6320 ft-lbs (823.1 kg-m) for 614.
 Tighten to 6340 ft-lbs (825.7 kg-m) for 615.
 Tighten to 6360 ft-lbs (828.3 kg-m) for 616.
 Tighten to 6380 ft-lbs (830.9 kg-m) for 617.
 Tighten to 6400 ft-lbs (833.5 kg-m) for 618.
 Tighten to 6420 ft-lbs (836.1 kg-m) for 619.
 Tighten to 6440 ft-lbs (838.7 kg-m) for 620.
 Tighten to 6460 ft-lbs (841.3 kg-m) for 621.
 Tighten to 6480 ft-lbs (843.9 kg-m) for 622.
 Tighten to 6500 ft-lbs (846.5 kg-m) for 623.
 Tighten to 6520 ft-lbs (849.1 kg-m) for 624.
 Tighten to 6540 ft-lbs (851.7 kg-m) for 625.
 Tighten to 6560 ft-lbs (854.3 kg-m) for 626.
 Tighten to 6580 ft-lbs (856.9 kg-m) for 627.
 Tighten to 6600 ft-lbs (859.5 kg-m) for 628.
 Tighten to 6620 ft-lbs (862.1 kg-m) for 629.
 Tighten to 6640 ft-lbs (864.7 kg-m) for 630.
 Tighten to 6660 ft-lbs (867.3 kg-m) for 631.
 Tighten to 6680 ft-lbs (869.9 kg-m) for 632.
 Tighten to 6700 ft-lbs (872.5 kg-m) for 633.
 Tighten to 6720 ft-lbs (875.1 kg-m) for 634.
 Tighten to 6740 ft-lbs (877.7 kg-m) for 635.
 Tighten to 6760 ft-lbs (880.3 kg-m) for 636.
 Tighten to 6780 ft-lbs (882.9 kg-m) for 637.
 Tighten to 6800 ft-lbs (885.5 kg-m) for 638.
 Tighten to 6820 ft-lbs (888.1 kg-m) for 639.
 Tighten to 6840 ft-lbs (890.7 kg-m) for 640.
 Tighten to 6860 ft-lbs (893.3 kg-m) for 641.
 Tighten to 6880 ft-lbs (895.9 kg-m) for 642.
 Tighten to 6900 ft-lbs (898.5 kg-m) for 643.
 Tighten to 6920 ft-lbs (901.1 kg-m) for 644.
 Tighten to 6940 ft-lbs (903.7 kg-m) for 645.
 Tighten to 6960 ft-lbs (906.3 kg-m) for 646.
 Tighten to 6980 ft-lbs (908.9 kg-m) for 647.
 Tighten to 7000 ft-lbs (911.5 kg-m) for 648.
 Tighten to 7020 ft-lbs (914.1 kg-m) for 649.
 Tighten to 7040 ft-lbs (916.7 kg-m) for 650.
 Tighten to 7060 ft-lbs (919.3 kg-m) for 651.
 Tighten to 7080 ft-lbs (921.9 kg-m) for 652.
 Tighten to 7100 ft-lbs (924.5 kg-m) for 653.
 Tighten to 7120 ft-lbs (927.1 kg-m) for 654.
 Tighten to 7140 ft-lbs (929.7 kg-m) for 655.
 Tighten to 7160 ft-lbs (932.3 kg-m) for 656.
 Tighten to 7180 ft-lbs (934.9 kg-m) for 657.
 Tighten to 7200 ft-lbs (937.5 kg-m) for 658.
 Tighten to 7220 ft-lbs (940.1 kg-m) for 659.
 Tighten to 7240 ft-lbs (942.7 kg-m) for 660.
 Tighten to

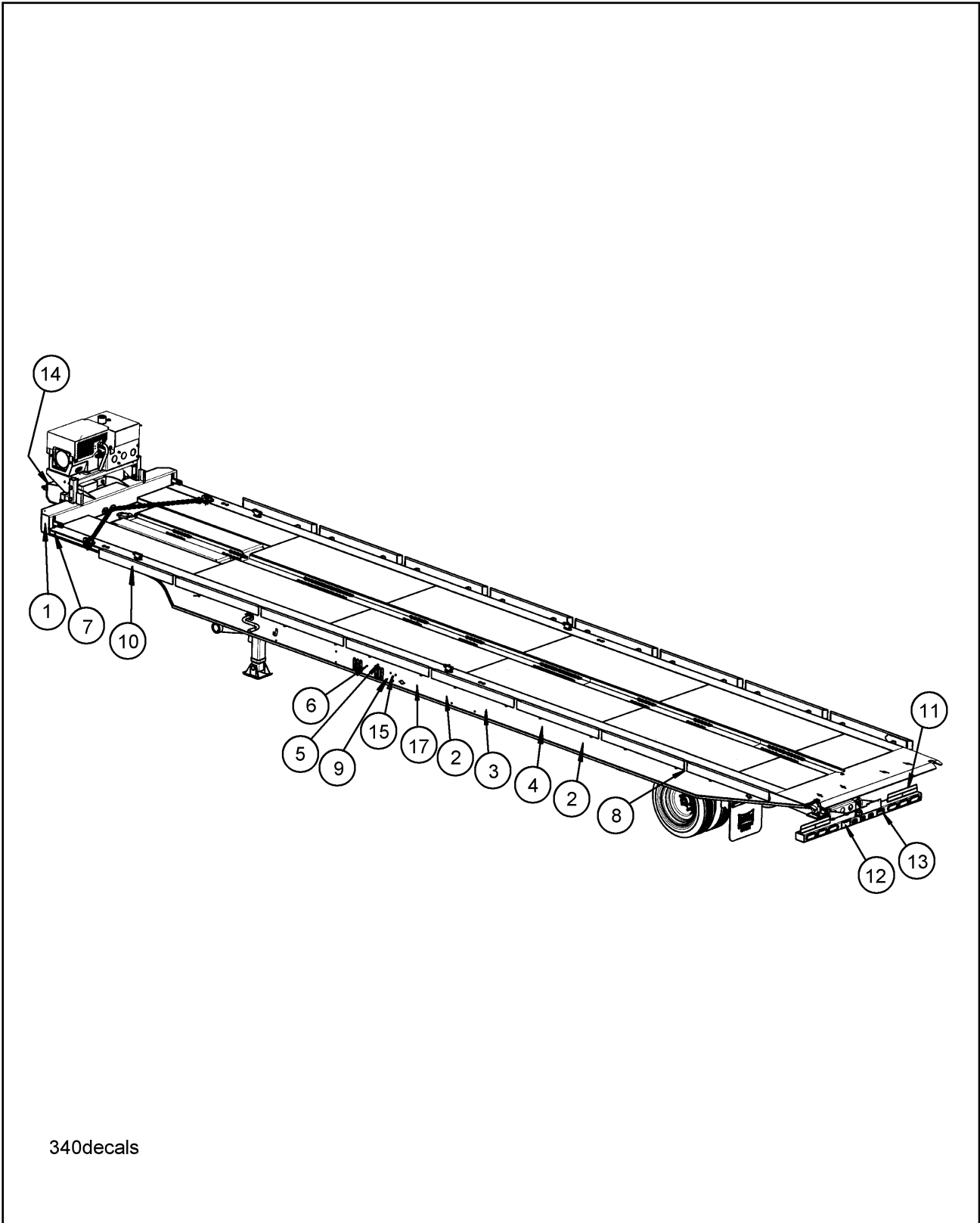
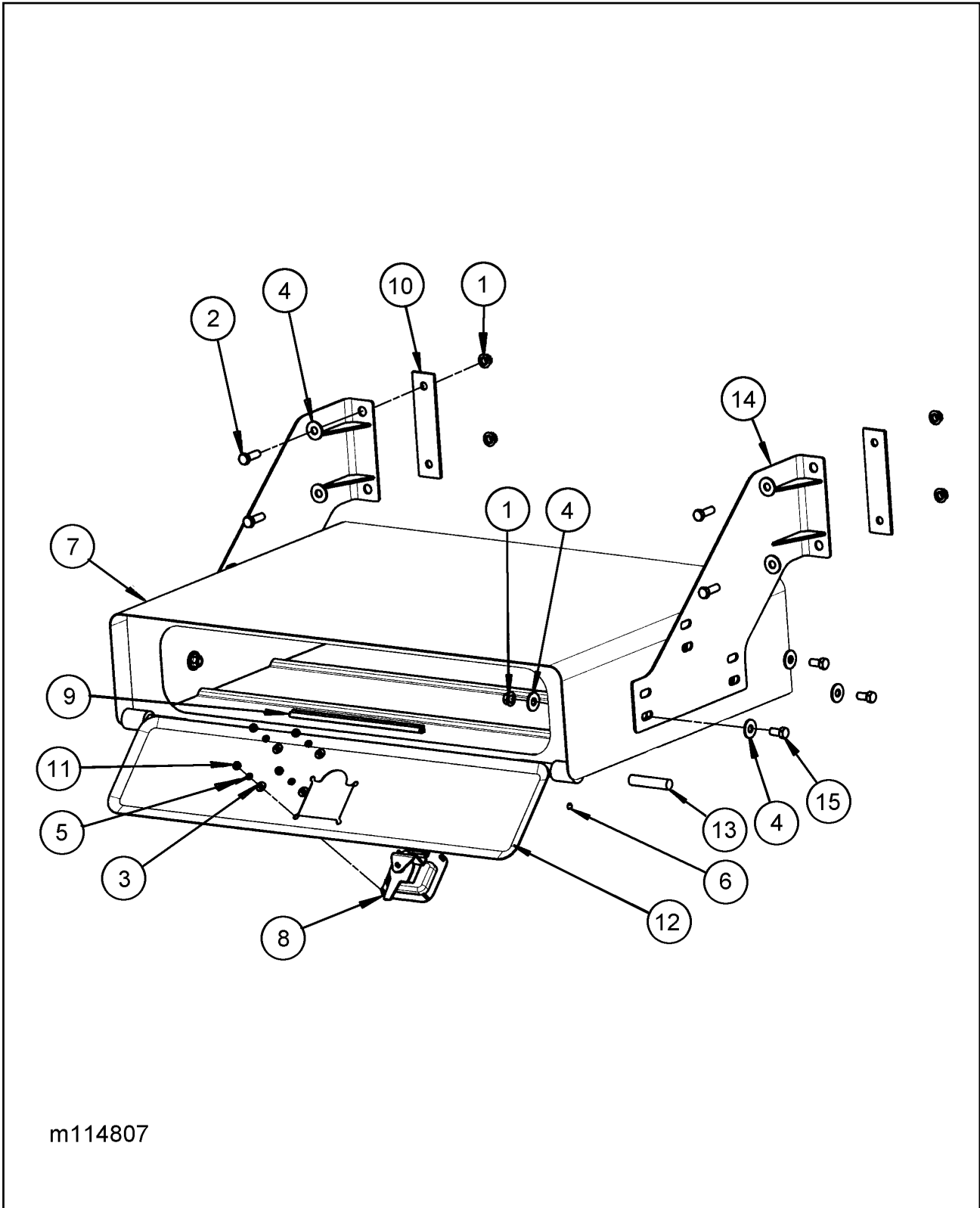


Figure 1-32 Decal Placement

DECAL PLACEMENT

ITEM	PART NO.	DESCRIPTION	QTY.
	128490	DECALS WHITE 340 SINGLE AXLE	
	128491	DECALS BLACK 340 SINGLE AXLE	
1	1-573-010017	DECAL, LANDOLL WHITE	2
	1-573-010007	DECAL, LANDOLL BLACK	2
2	1-573-010479	DECAL, L WHITE	4
	1-573-010475	DECAL, L BLACK	4
3	1-573-010481	DECAL, LANDOLL WHITE	2
	1-573-010477	DECAL, LANDOLL BLACK	2
4	128488	DECAL, 340 WHITE 2-1/2	2
	128487	DECAL, 340 BLACK 2-1/2	2
5	3-573-010057	DECAL, INSTRUCTION	1
6	3-573-010127	DECAL, OPERATION	1
7	3-573-010134	DECAL, CONC LOAD (SINGLE AXLE)	2
8	3-573-010210	DECAL, TORQUE SPEC 8-10 STUD HUB	2
9	3-573-010300	DECAL, WARNING RIDE POSITION	1
10	3-573-010377	DECAL, REFLEXITE TAPE RED/WHITE	AR
11	103055	DECAL, ENERGY BUMPER CERT.	1
12	103056	DECAL, ENERGY BUMPER WARNING	1
13	3-573-010031	DECAL, BUMPER	1
14	105822	DECAL, HYD COUPLER	1
15	3-573-010506	DECAL, ENGINE CONTROL	1
16	3-573-010378	DECAL, 2 X10 REFLEXITE WHITE (NOT SHOWN)	AR
17	113388	DECAL, ENGINE PACKAGE INSTRUCTIONS	1

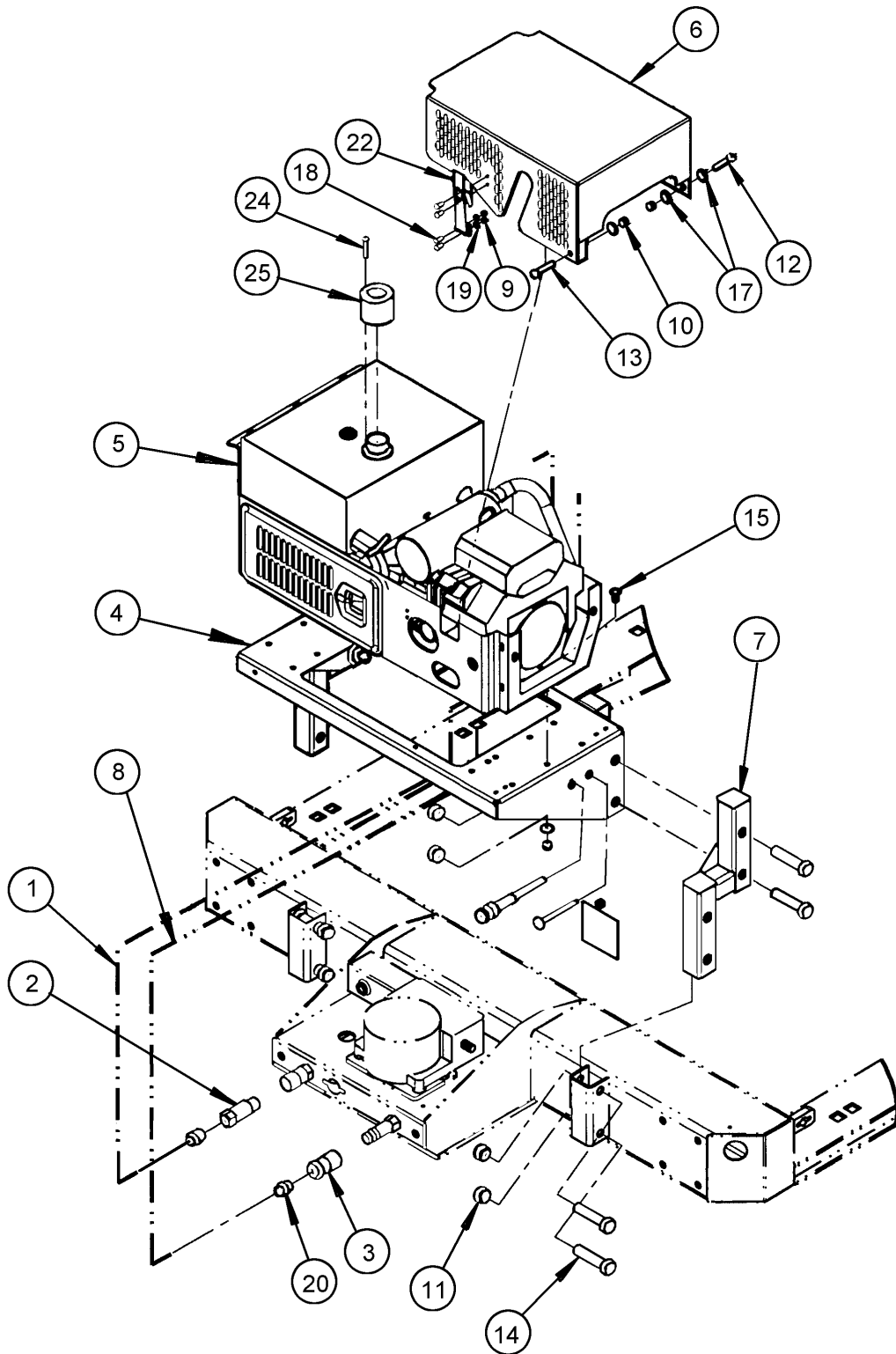


m114807

Figure 1-33 Toolbox Installation (Option)

TOOLBOX INSTALLATION (OPTION)

ITEM	PART NO.	DESCRIPTION	QTY.
	114807	TOOLBOX INSTALLATION STEEL DOOR	1
1	1-510-010003-09	NUT, FLANGE HEAD SERRATED 1/2-13	10
2	1-654-010055-03	SCREW, HEX HEAD CAP 1/2-13 X 1-1/2 GR5	4
3	1-861-010032-07	WASHER, FLAT 1/4W	4
4	1-861-010032-15	WASHER, FLAT 1/2W	16
5	1-861-010034-09	WASHER, SPLIT LOCK 1/4	4
6	107-0975	SCREW, SET LOCK 5/16-18 X 3/8	2
7	114808	TOOLBOX WELDMENT	1
8	114814	LATCH, FOLDING T LOCKABLE	1
9	114815	SEAL SPONGE RUBBER TRIM	7
10	115843	BAR, BACKUP TOOLBOX MOUNTING	2
11	115877	NUT, HEAVY HEX 1/4-20 GR5	4
12	116623	DOOR WELDMENT STEEL TOOLBOX	1
13	RPRB59004X3H	BAR ROUND, 3/4DIA X 3-1/2 NYLATRON	2
14	117860	BRACKET WELDMENT TOOLBOX MOUNTING	2
15	1-654-010055-01	SCREW, HEX HEAD CAP 1/2-13 X 1 GR5	6



m127687

Figure 1-34 27HP Engine Drive Installation (Option)

27HP ENGINE DRIVE INSTALLATION (OPTION)

ITEM	PART NO.	DESCRIPTION	QTY.
	127687	25HP ENGINE DRIVE INSTALLATION	
1	105276	HOSE ASSEMBLY, 3/4 X 52	1
2	105479	COUPLER, FLAT FACE MALE NOSE	1
3	105480	COUPLER, FLAT FACE FEMALE BODY	1
4	112184	MOUNT WELDMENT	1
5	115601	27HP GAS ENGINE PACKAGE (SEE PAGE 1-56)	1
6	121396	COVER WELDMENT	1
7	127686	MOUNT WELDMENT	2
8	128953	HOSE ASSEMBLY 3/4 X 86	1
9	1-512-010004-03	NUT, HEX LOCK 10-24 GRA	4
10	1-512-010005-09	NUT, HEX LOCK 1/2-13 GRB	6
11	1-512-010005-19	NUT, HEX LOCK 1-8 GRB	8
12	1-654-010055-07	SCREW, HEX HEAD CAP 1/2-13 X 2-1/2 GR5	1
13	1-654-010055-09	SCREW, HEX HEAD CAP 1/2-13 X 3 GR5	1
14	1-654-010065-15	SCREW, HEX HEAD CAP 1-8 X 5 GR5	8
15	1-654-010070-02	SCREW, RD HEAD SQ NECK 1/2-13 X 1-1/4	3
16	1-822-010002	TRIM LOK 3/16 (NOT SHOWN)	AR
17	1-861-010032-15	WASHER, FLAT 1/2W	11
18	110-0116	SCREW, RD HEAD CAP #10-24 X 3/4	4
19	110-0253	WASHER, FLAT 3/16	4
20	202702-12-12S	ADAPTER STRAIGHT	2
21	128774	CABLE, THROTTLE 40' (NOT SHOWN)	2
22	3-443-010018	LATCH, FLEXIBLE DRAW, LEVER ASSIST	1
23	128781	HARNESS, ENG PACKAGE IGNITION (NOT SHOWN)	1
24	128806	SCREW, RD HEAD MACH #10-24 X 4	6
25	128809	FILLER EXTENSION OIL TANK	1
26	3-573-010506	DECAL, ENGINE CONTROL (NOT SHOWN)	1

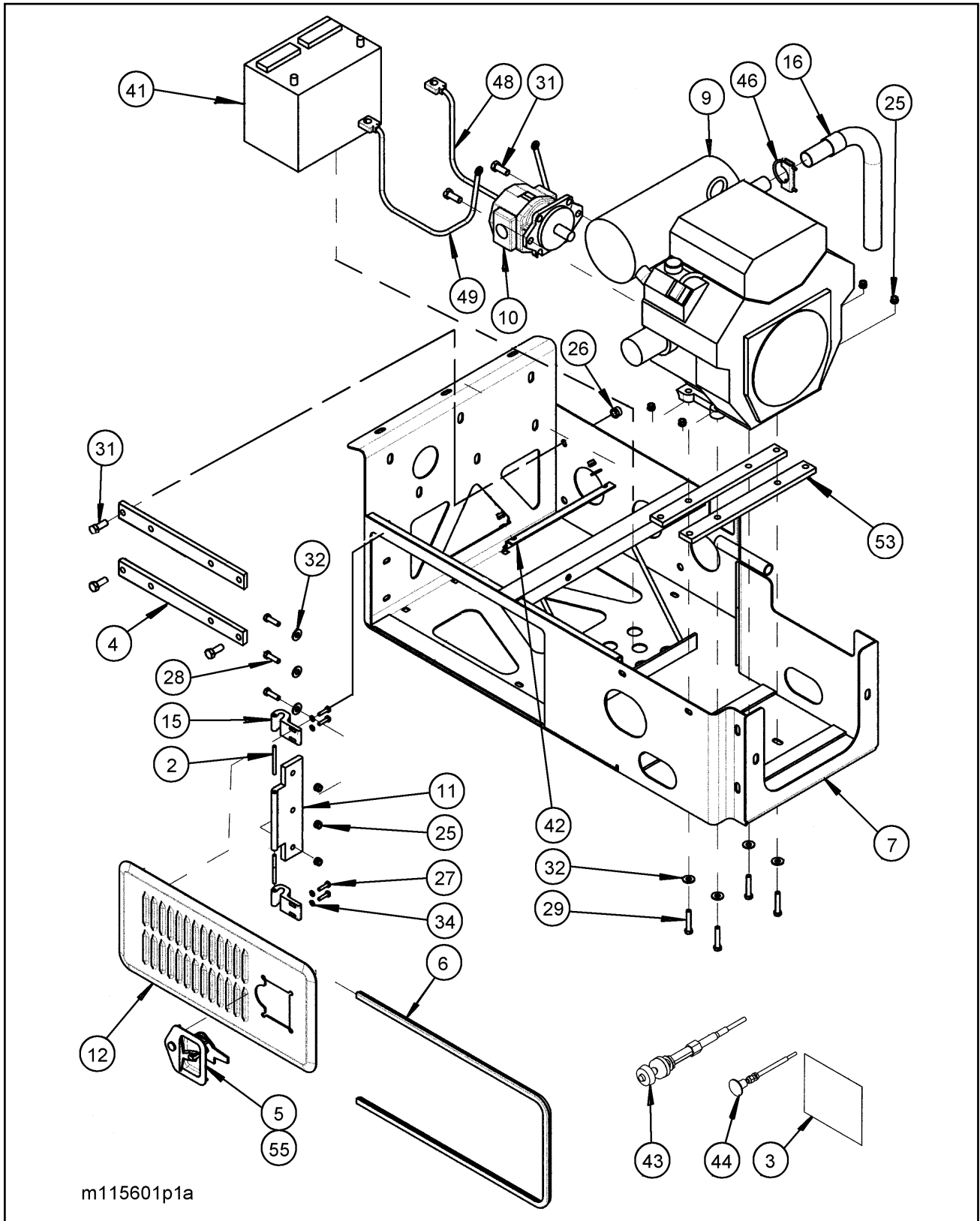


Figure 1-35 Engine Package Front Mount (1 of 2)

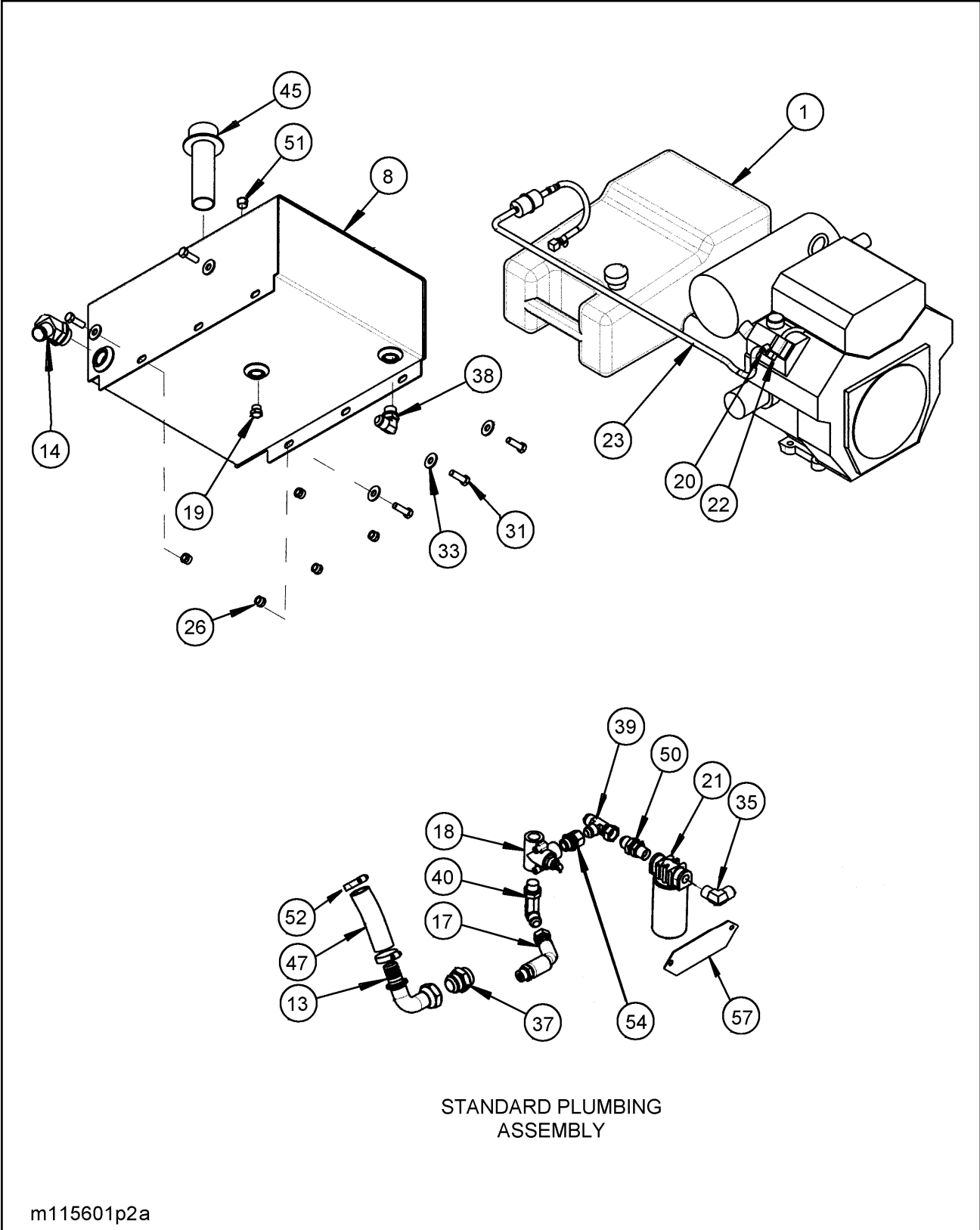


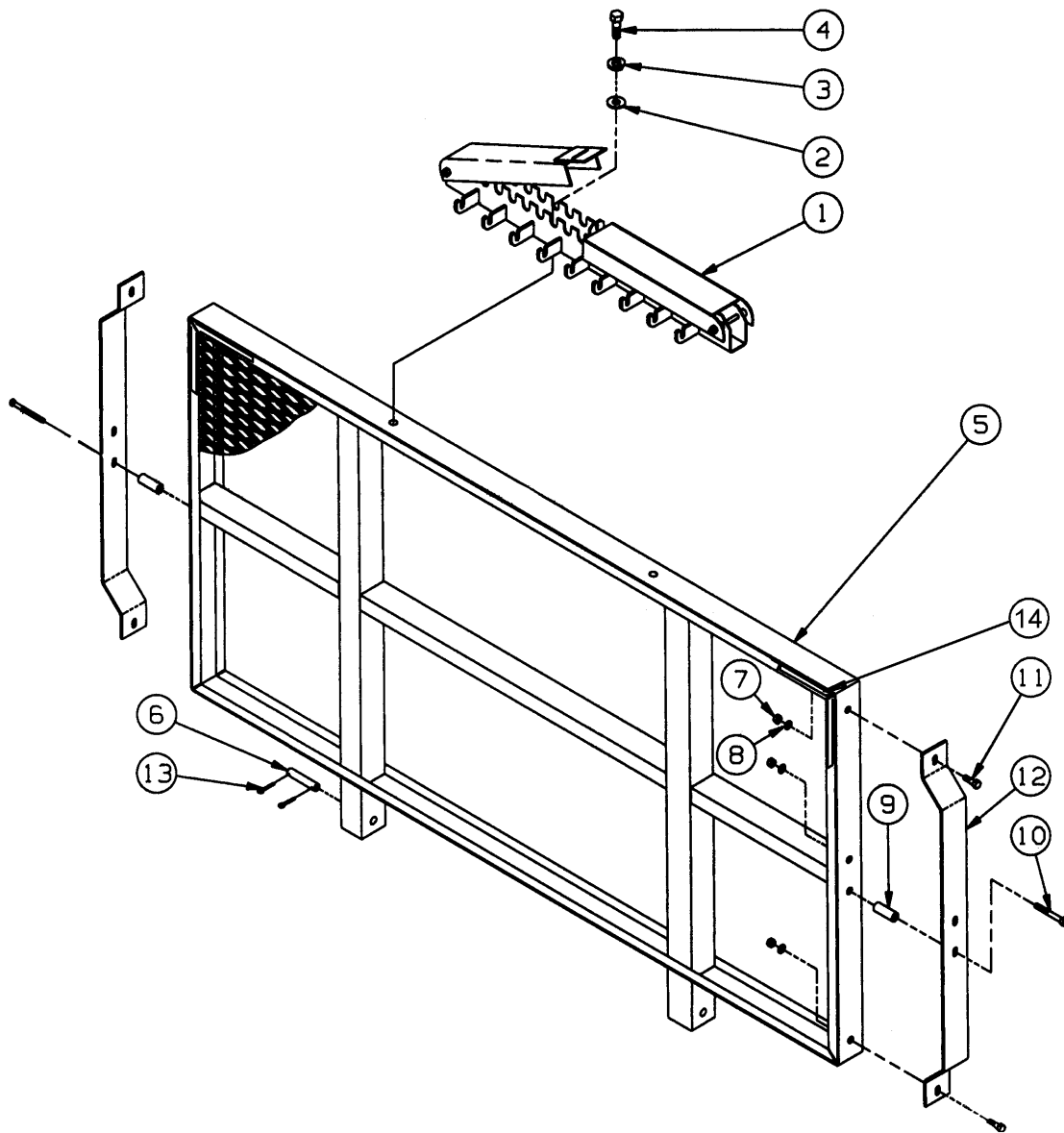
Figure 1-36 Engine Package Front Mount (2 of 2)

27HP GAS ENGINE PACKAGE (OPTION)

ITEM	PART NO.	DESCRIPTION	QTY.
	115601	27 HP GAS ENGINE PACKAGE	
1	104699	TANK, FUEL PLASTIC	1
2	108601	PIN, DOOR HINGE	2
3	113388	DECAL, ENG PKG INSTRUCTIONS	1
4	113856	MOUNT, ENGINE ISOLATOR, KOHLER CH25	2
5	114814	LATCH, FOLDING T LOCKABLE	1
6	114815	SEAL, SPONGE RUBBER TRIM	5
7	120654	MOUNT WELDMENT, ENG PKG 25 HP	1
8	120662	HYD TANK WELDMENT	1
9	115586	ENGINE, KOHLER 25 HP PUMP MOUNT (AFTER 8/10/2003)	1
	127813	ENGINE, KOHLER 27 HP PUMP MOUNT (AFTER 8/10/2003)	
10	115888	PUMP, HYDRAULIC	1
11	116326	HINGE, BASE MOUNT	1
12	116328	MOUNT, DOOR WELDMENT	1
13	116330	FITTING, 90	1
14	117873	FITTING	1
15	119206	HINGE, DOOR	2
16	119445	EXHAUST EXT WELDMENT	1
17	119577	HOSE 3/4 X 9-1/4	1
18	120661	VALVE, HYDR PRESSURE RELIEF	1
19	900598-12S	PLUG, O-RING	1
20	105-0105	CLAMP, HOSE	2
21	1-295-010001	RETURN LINE FILTER	1
22	1-297-010034-01	FITTING, BR 90 BARB	1
23	1-316-010013	HOSE, 1/4 LOW PRESSURE FUEL LINE	4
25	1-512-010005-05	NUT, HEX LOCK 3/8-16 GRB	9
26	1-512-010005-09	NUT, HEX LOCK 1/2-13 GRB	9
27	1-654-010047-06	SCREW, HEX HEAD CAP 1/4-20 X 1 GR5	4
28	1-654-010051-06	SCREW, HEX HEAD CAP 3/8-16 X 1-1/4 GR5	3
29	1-654-010051-09	SCREW, HEX HEAD CAP 3/8-16 X 2 GR5	4
31	1-654-010055-03	SCREW, HEX HEAD CAP 1/2-13 X 1-1/2 GR5	11
32	1-861-010032-11	WASHER, FLAT 3/8W	9
33	1-861-010032-15	WASHER, FLAT 1/2W	5
34	1-861-010034-09	WASHER, SPLIT LOCK 1/4	4
35	2024-12-12S	ELBOW, 90	1
36	202702-12-12S	ADAPTER, STRAIGHT	1
37	202702-20-20S	ADAPTER	1
38	2062-12-12S	ADAPTER, 90	1
39	203102-12-12S	ADAPTER, TEE	1
40	206209-12-12S	ADAPTER, 90	1
41	2481X	BATTERY 12V	1
42	3-120-010124	BATTERY CLAMP BRACKET	1
43	3-155-010012	CABLE, THROTTLE	1
44	3-155-010025	CABLE, UTILITY CHOKE	1
45	3-162-010001	FILLER-BREATH-ER-STRAINER ASSEMBLY	1
46	3-182-010028	CLAMP, MUFFLER	1
47	3-399-010001006	HOSE, 1-1/4 X 6" SUCTION	1
48	514-9045-26	CABLE ASSEMBLY, BATTERY POSITIVE	1
49	514-9073-18	CABLE ASSEMBLY, BATTERY NEGATIVE	1
50	2240-12-12S	ADAPTER, BULKHEAD	1

27HP GAS ENGINE PACKAGE (OPTION)

ITEM	PART NO.	DESCRIPTION	QTY.
51	1-560-010002-04	PLUG, PIPE 1/2	1
52	1-181-010046-7	CLAMP, HOSE	2
53	120569	ISOLATOR, KOHLER 25 HP MOUNT	2
54	120660	ADAPTER	1
55	115877	NUT, HEAVY HEX 1/4-20 GR5	4
57	123014	PLATE, MOTOR FRONT 25HP	1
58	113544	HARNESS, ENG PKG IGNITION (NOT SHOWN)	1

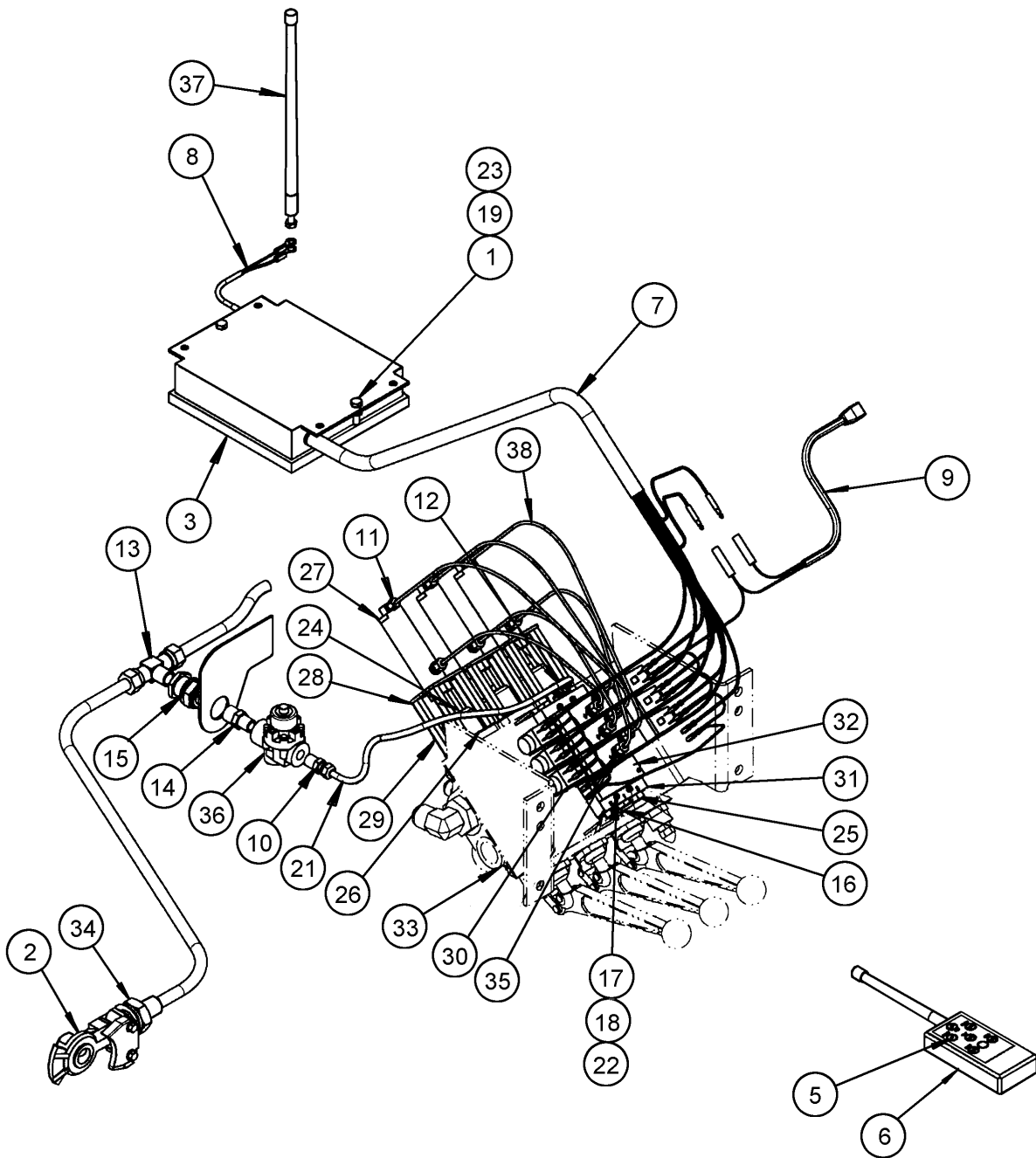


3m141-010121

Figure 1-37 Bulkhead Installation (Option)

BULKHEAD INSTALLATION (OPTION)

ITEM	PART NO.	DESCRIPTION	QTY.
	B7-141-003	BULKHEAD CHAIN BACK INSTALLATION (ITEMS 1-4)	
	3-141-010121	BULKHEAD INSTALLATION (ITEMS 5-13)	
1	3-141-010008	CHAIN HANGER LOCKING CHANNEL WELDMENT	1
2	1-861-010032-11	WASHER, FLAT 3/8	2
3	1-861-010034-11	WASHER, SPLIT LOCK 3/8	2
4	1-654-010051-06	SCREW, HEX HEAD CAP 3/8-16 X 1-1/4 GR5	2
5	3-141-010155	BULKHEAD WELDMENT 48 X 96 (96)	1
	3-141-010152	BULKHEAD WELDMENT 16 X 102 (102) (NOT SHOWN)	1
6	6-557-010163	PIN HITCH LEVEL LINK	2
7	1-512-010005-09	NUT HEX LOCK 1/2-13 GRB (102)	6
8	1-861-010032-15	WASHER PLAIN TYPE A 1/2 (102)	6
9	3-711-010025	SPACER (102)	2
10	1-654-010055-13	SCREW HEX HEAD CAP 1/2-13X4 GR5 (102)	2
11	1-654-010055-03	SCREW HEX HEAD CAP 1/2-13X1-1/2 GR5 (102)	4
12	3-054-010101	BAR SIDE BULKHEAD EXTENSION (102)	2
13	1-557-010362-63	COTTER PIN 1/4X2	4
14	3-573-010378	DECAL, 2 X 12 REFLEXITE WHITE	4



m127801

Figure 1-38 Radio Remote Control Assembly - 3 Function

3 FUNCTION RADIO REMOTE CONTROL ASSY (OPTION)

ITEM	PART NO.	DESCRIPTION	QTY.
	127802	REMOTE, RADIO WINCH/TILT/AXLE	
1	108417	NUT, HEX FLANGE SPIRALOCK 1/4-20	2
2	108801	GLAD HAND, RED AIR	REF
3	112691	RECEIVER CONTROL RADIO REMOTE	*REF
4	112948	BATTERY, 9 VOLT (NOT SHOWN)	1
5	113661	MEMBRANE OVERLAY REMOTE	1
6	119626	TRANSMITTER RADIO REMOTE	*REF
7	120696	HARNESS, RADIO REMOTE 5'	1
8	123129	CABLE, REMOTE ANTENNA 30'	1
9	127788	HARNESS, POWER JUMPER	1
10	1-297-010007-05	FITTING, AIR	1
11	1-297-010008-01	FITTING, AIR 90	3
12	1-297-010008-07	FITTING, AIR 90	1
13	1-297-010015-10	FITTING, AIR TEE	1
14	1-297-010019-05	FITTING, BRS PIPE HEX 3/8 X 1/4	1
15	1-297-010022-03	FITTING, AIR ANCHOR COUPLING 3/8	1
16	1-297-010033-02	FITTING, BRASS PLUG 1/4	3
17	1-512-010003-02	NUT, HEX LOCK #6-32	4
18	1-654-010024014	SCREW, MACH SLOTTED FIL HEAD #6-32 X 1-1/2	4
19	1-654-010047-06	SCREW, HEX HEAD CAP 1/4-20 X 1 GR5	2
20	1-796-010002-01	TIE STRAP, PLASTIC (NOT SHOWN)	5
21	1-833-010001	TUBING, NYLON 1/4	AR
22	1-861-010032-01	WASHER, FLAT #6	4
23	1-861-010032-06	WASHER, FLAT 1/4N	2
24	3-007-010039	ADAPTER, AIR CYLINDER	3
25	3-136-010001-02	BREATHER, PNEUMATIC EXH 1/4	2
26	3-161-010034	CAP, MODIFIED VALVE SPOOL	3
27	3-238-010001	CYLINDER, AIR	3
28	3-482-010288	MOUNT, AIR CYLINDER VALVE	3
29	3-711-010055	SPACER	12
30	3-843-010015	VALVE, PNEUMATIC 4 WAY, 3 POSITION	3
31	3-843-010023	VALVE, PNEUMATIC MANIFOLD 4 STATION	1
32	3-843-010024	VALVE, BLANK STATION COVER	1
33	3-846-010152-01	VALVE ASSEMBLY, 3 SPOOL	REF
34	55B61	FRAME UNION	REF
35	68CA-2-2	CONNECTOR	9
36	905-54-107	BRAKE PROTECTION VALVE	1
37	A001	ANTENNA, RADIO REMOTE	REF
38	NB-2-016	TUBING, NYLON FLEX	REF
*	119625	REMOTE, RADIO HANDHELD (INCLUDES RECEIVER AND TRANSMITTER)	

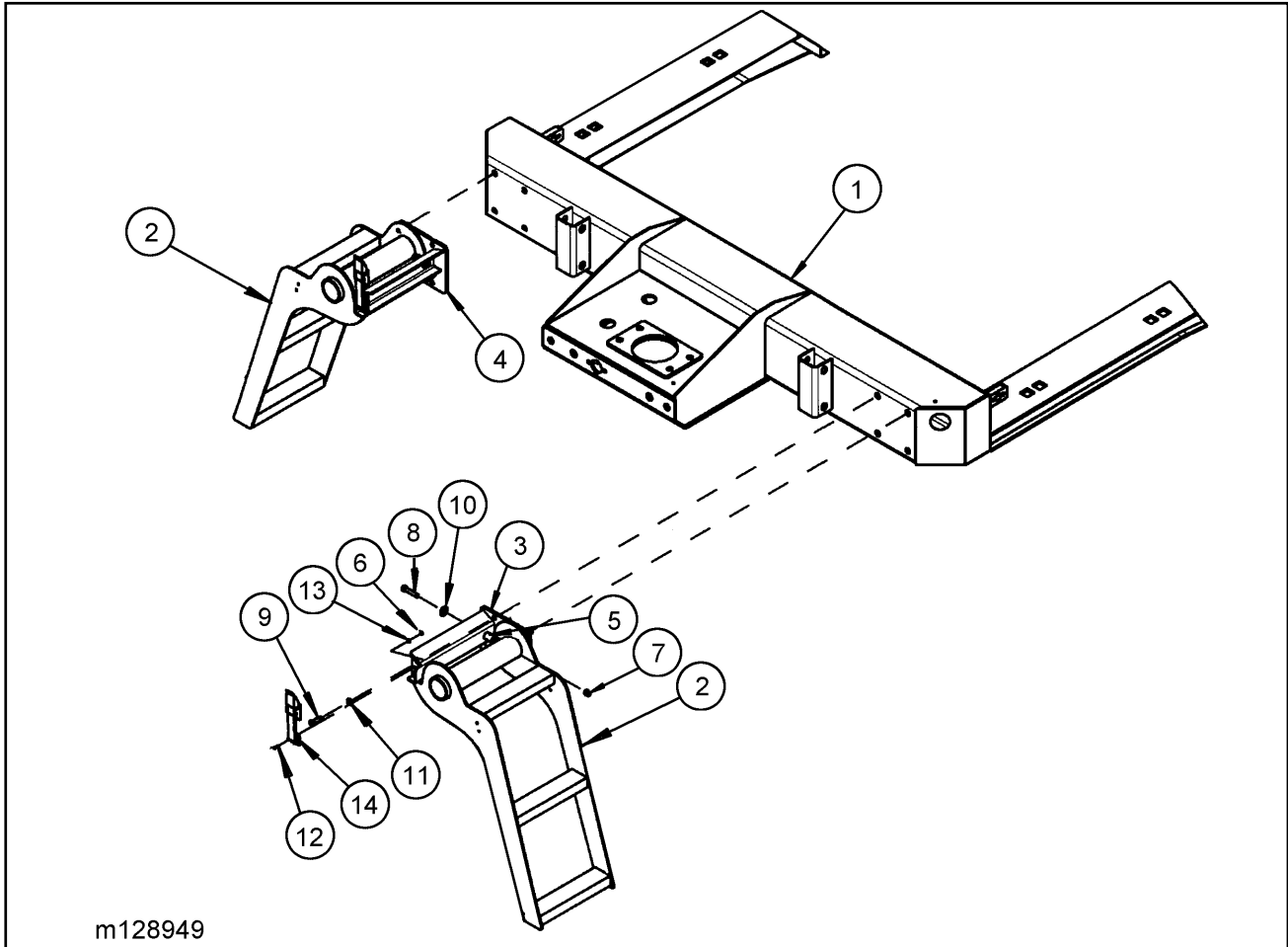


Figure 1-39 Ladder Assembly (Option)

LADDER ASSEMBLY (OPTION)

ITEM	PART NO.	DESCRIPTION	QTY.
	128950	LADDER ASSEMBLY LH	
	128951	LADDER ASSEMBLY RH	
1	128199	FRAME WELDMENT	REF
2	128819	LADDER, ALUMINUM	1
3	128942	SUPPORT WELDMENT, LADDER LH	1
4	128943	SUPPORT WELDMENT, LADDER RH	1
5	128952	TUBE, ROUND 1OD X 5/8ID X 1-1/2	1
6	1-512-010004-03	NUT, HEX LOCK #10-24 GRA	4
7	1-512-010005-09	NUT, HEX LOCK 1/2-13 GRB	1
8	1-654-010055-07	SCREW, HEX HEAD CAP 1/2-13 X 2-1/2 GR5	1
9	1-654-010089-15	SCREW, SOCKET BUTTON 1/2-13 X 1-3/4	4
10	1-861-010032-15	WASHER, FLAT 1/2W	1
11	1-861-010034-13	WASHER, SPLIT LOCK 1/2	4
12	110-0116	SCREW, RD HEAD CAP #10-24 X 3/4	4
13	110-0253	WASHER, FLAT 3/16	4
14	3-443-010018	LATCH, FLEXIBLE DRAW, LEVER ASSIST	1

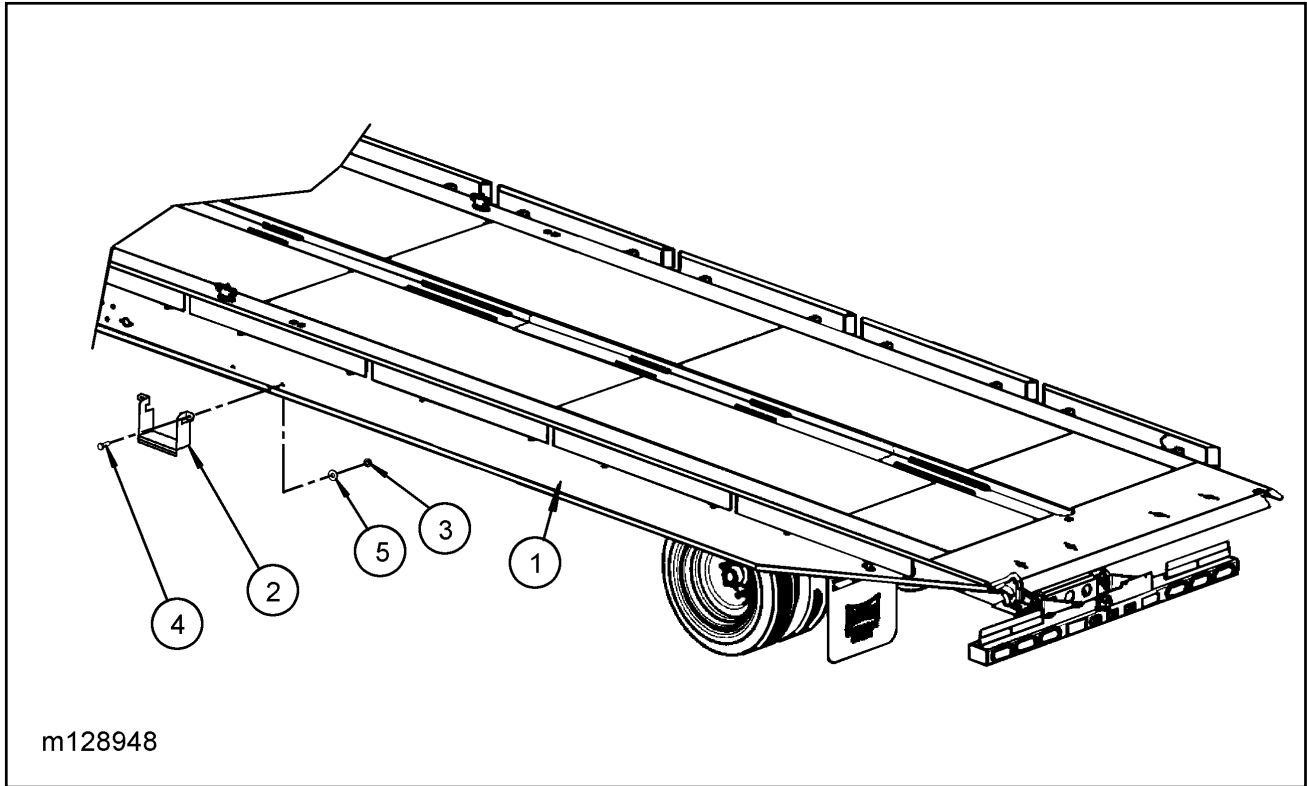


Figure 1-40 Step Assembly (Option)

STEP ASSEMBLY (OPTION)

ITEM	PART NO.	DESCRIPTION	QTY.
	128948	STEP ASSEMBLY	
1	128199	FRAME WELDMENT	REF
2	128812	STEP, MID	1
3	1-512-010005-09	NUT, HEX LOCK 1/2-13 GRB	2
4	1-654-010070-02	SCREW, RD HEAD SQ NECK 1/2-13 X 1-1/4	2
5	1-861-010032-15	WASHER, FLAT 1/2W	2

NOTES:

NUMERICAL INDEX

2

PART	PAGE	PART	PAGE	PART	PAGE
0001-02	15	0741-01	15	105822	05
0001-08	15	081900019	06	105822	49
0001-08	17	081900277	07	106371	13
0002-07	15	097-002-00	25	106652	13
0002-12	17	097-003-00	25	107-0975	51
005-096-00	25	1-007-010029	11	107598	13
005-098-00	25	101003	27	107599	13
005-099-00	25	101160	31	107956	27
005-134-00	25	101848	29	108220	43
006-114-00	25	101851	29	108417	61
006-115-00	25	101852	15	108601	56
0075-20	17	101852	20	108647	13
010-052-00	25	101855	29	108801	33
0102-13	17	10205R	13	108801	61
011300179	07	10205Y	13	108802	33
014-056-00	25	102361	23	110-0116	53
014-058-00	25	102363	20	110-0116	62
014-065-00	25	102363	23	110-0253	53
014-068-00	25	102732	20	110-0253	62
021-038-01 (4009)	31	102732	21	110-3494	35
024-100-00	25	102836	13	110416	13
034-058-01	25	102836	15	110975(2023—T)	31
034-192-06	25	102838	20	110976(66884)	31
034-193-06	25	103055	49	110990	15
0375-00	17	103056	49	110991	15
040-180-00	25	1035-20	17	111006	23
041-058-01	25	103783	31	111010	23
041-059-01	25	10403	13	111010	23
046-096-00	25	104252	40	111011	23
046-097-00	25	104253	40	111012	23
0508-00	17	104699	56	111013	23
055-040-06	25	105-0093	13	111014	23
056-017-00	25	105-0105	56	111018	23
056-018-00	25	105276	53	111019	23
061-006-00	25	105479	05	111021	21
0647-01	17	105479	53	111023	23
069-078-00	25	105480	05	111416	31
071-122-00	25	105480	53	1-116-010019	13
071-124-00 (3067)	31	105481	05	111925	13
071900019	06	105482	05	112184	53
071900195	07	105483	05	112691	61

PART	PAGE	PART	PAGE	PART	PAGE
112948	61	119577	56	127460	27
113374	13	119625	61	127461	15
113388	49	119626	61	127461	20
113388	56	119949	37	127462	20
113544	57	119949	39	127598	35
113661	61	120569	57	127682	44
113856	56	120654	56	127686	53
114583	13	120660	57	127687	53
114585	27	120661	56	127689	13
114585	29	120662	56	127690	13
114587	29	120696	61	127735	15
114589	29	121003	05	127735	17
114590	29	121366	15	127736	15
114807	51	121366	20	127788	61
114808	51	121377	13	127802	61
114814	51	121377	13	127813	56
114814	56	121396	53	127843	43
114815	51	123014	57	128199	62
114815	56	123129	61	128199	63
115586	56	126111	43	128210	03
115601	53	126114	43	128211	03
115601	56	126117	43	128212	03
115843	51	126858	05	128323	03
115877	51	126858	35	128346	37
115877	57	126858	36	128354	40
115888	56	126972	05	128360	40
116131	13	126972	06	128378	37
116134	13	126973	05	128390	03
116139	13	126973	35	128391	03
116140	13	126976	15	128463	33
116326	56	126976	20	128469	43
116328	56	126982	15	128470	05
116330	56	126982	20	128471	05
116623	51	126985	37	128472	05
117304	27	126985	39	128473	05
117559	37	127200	15	128480	42
117559	39	127287	20	128482	42
117860	51	127320	44	128484	42
117873	56	127447	37	128487	49
1-181-010046-7	57	127447	39	128488	49
118-2659-9	27	127450	44	128490	49
118914	05	127451	17	128491	49
119206	56	127451	25	128496	42
119445	56	127452	20	128500	45

PART	PAGE	PART	PAGE	PART	PAGE
128500	46	1-297-010007-12	27	1-510-010001	09
128713	35	1-297-010007-12	33	1-510-010001	13
128719	40	1-297-010007-14	33	1-510-010001	15
128732	15	1-297-010007-15	33	1-510-010001	20
128732	20	1-297-010007-18	27	1-510-010003-09	51
128774	53	1-297-010008-01	11	1-512-010003-02	61
128781	53	1-297-010008-01	61	1-512-010004-03	53
128783	45	1-297-010008-07	20	1-512-010004-03	62
128801	35	1-297-010008-07	61	1-512-010005-01	21
128802	35	1-297-010008-18	27	1-512-010005-01	43
128803	35	1-297-010008-26	27	1-512-010005-03	13
128806	53	1-297-010010-01	20	1-512-010005-05	15
128809	53	1-297-010015-10	61	1-512-010005-05	20
128812	63	1-297-010017-03	27	1-512-010005-05	27
128813	35	1-297-010019-05	61	1-512-010005-05	37
128819	62	1-297-010022-03	33	1-512-010005-05	56
128942	62	1-297-010022-03	61	1-512-010005-09	53
128943	62	1-297-010033-02	61	1-512-010005-09	56
128948	63	1-297-010033-03	27	1-512-010005-09	59
128950	62	1-297-010034-01	56	1-512-010005-09	62
128951	62	1-298-010001-1	03	1-512-010005-09	63
128952	62	1-298-010001-1	35	1-512-010005-13	05
128953	53	129901	06	1-512-010005-13	37
128973	15	130109	15	1-512-010005-15	03
128973	20	130109	20	1-512-010005-15	15
128974	15	130127	35	1-512-010005-15	20
128974	20	130346	36	1-512-010005-15	35
129203	35	130347	36	1-512-010005-19	53
129205	40	130348	36	1-512-010007-05	15
129206	40	130349	36	1-512-010007-05	20
129209	46	130350	36	1-512-010007-09	23
129210	45	130351	36	1-512-010007-13	35
129212	40	130352	36	15206	13
129213	15	130353	36	1-557-010362-54	05
129213	20	1-316-010013	56	1-557-010362-63	59
129214	35	1-343-010007	13	1-560-010002-03	27
129215	35	1-384-010038024	27	1-560-010002-04	27
129217	35	1-397-010301032	05	1-560-010002-04	56
129938	41	1-397-010301042	05	1-560-010002-05	27
129985	15	1-397-010301090	05	15700	13
129985	20	1-397-010301136	05	15725	13
1-295-010001	56	1-397-010301148	05	1-573-010007	49
1-297-010007-05	61	15009	13	1-573-010017	49
1-297-010007-11	33	1-510-010001	05	1-573-010475	49

PART	PAGE	PART	PAGE	PART	PAGE
1-573-010477	49	1-654-010061-13	35	1-861-010032-21	35
1-573-010479	49	1-654-010065-15	53	1-861-010034-07	13
1-573-010481	49	1-654-010070-02	53	1-861-010034-09	15
1-647-010004117	40	1-654-010070-02	63	1-861-010034-09	20
1-647-010004217	43	1-654-010089-15	62	1-861-010034-09	51
1-647-010004255	03	1-654-010158-1	15	1-861-010034-09	56
1-654-010024014	61	1-654-010158-1	20	1-861-010034-10	31
1-654-010032-04	15	1-656-010003051	13	1-861-010034-11	59
1-654-010032-04	20	1-796-010002-01	61	1-861-010034-13	15
1-654-010047-02	11	1-796-010003-02	05	1-861-010034-13	20
1-654-010047-04	21	1-796-010004-02	15	1-861-010034-13	35
1-654-010047-06	15	1-796-010004-02	20	1-861-010034-13	62
1-654-010047-06	20	1-796-01003-01	27	1-861-010034-15	35
1-654-010047-06	56	179933	31	1-861-010059-21	05
1-654-010047-06	61	1-816-010034-13	23	1A0290	11
1-654-010049-03	31	1-822-010002	53	1A0291	11
1-654-010049-06	13	1-833-010001	20	1A0292	11
1-654-010051-05	05	1-833-010001	61	1A0294	11
1-654-010051-05	15	1-833-010002	27	1A0709	11
1-654-010051-05	20	1-833-010002	33	1A0711	11
1-654-010051-06	56	1-833-010003	33	1A0744	11
1-654-010051-06	59	1-861-010032-01	61	1A0757	11
1-654-010051-08	15	1-861-010032-06	61	1R0017	11
1-654-010051-08	20	1-861-010032-07	15	1V0081	11
1-654-010051-08	27	1-861-010032-07	20	1V0090	11
1-654-010051-09	09	1-861-010032-07	51	1V0208	11
1-654-010051-09	37	1-861-010032-09	13	1V0360	11
1-654-010051-09	56	1-861-010032-10	27	1V1701	11
1-654-010051-11	37	1-861-010032-11	15	1V1703	11
1-654-010055-01	35	1-861-010032-11	20	1V1725	11
1-654-010055-01	51	1-861-010032-11	37	2023-8-8S	05
1-654-010055-02	15	1-861-010032-11	56	2024-12-12S	56
1-654-010055-02	20	1-861-010032-11	59	2024-8-8S	05
1-654-010055-03	51	1-861-010032-15	15	202702-12-12S	53
1-654-010055-03	56	1-861-010032-15	20	202702-12-12S	56
1-654-010055-03	59	1-861-010032-15	35	202702-20-20S	56
1-654-010055-07	53	1-861-010032-15	51	203102-12-12S	56
1-654-010055-07	62	1-861-010032-15	53	2061-8-8S	09
1-654-010055-09	53	1-861-010032-15	56	206209-12-12S	56
1-654-010055-13	59	1-861-010032-15	59	2062-12-12S	09
1-654-010059-03	35	1-861-010032-15	62	2062-12-12S	56
1-654-010059-03	37	1-861-010032-15	63	2062-12-8S	05
1-654-010059-14	05	1-861-010032-19	05	2062-8-8S	05
1-654-010061-05	03	1-861-010032-19	37	2083-8-4S	20

PART	PAGE	PART	PAGE	PART	PAGE
2083-8-8S	27	3-238-010001	61	3-780-010002	20
2088-6-6S	27	3-242-010185	05	380-1	15
2089-6-6S	27	3-242-010185	07	380-1	20
211300024	07	3-299-010016	05	380-2	15
2-181-010001	13	3-311-013675	15	380-2	20
2-181-010001	15	3-311-013675	20	3-821-010005	15
2-181-010001	20	3-368-010247	13	3-821-010005	20
220000212	06	3-368-010294	13	3-843-010015	61
220000212	07	3-399-010001006	56	3-843-010023	61
2240-12-12S	56	3-432-010006	17	3-843-010024	61
230007400	07	3-443-010018	53	3-846-010008	09
239-9008-3	33	3-443-010018	62	3-846-010008	11
2481X	56	3-446-010046	13	3-846-010152-01	05
2A0079-404	11	3-482-010288	11	3-846-010152-01	09
2A0079-406	11	3-482-010288	61	3-846-010152-01	61
2A0293-7214	11	3-482-010575	09	3-846-010156	05
2A0354-121	11	3-485-010001	15	3-870-010110	31
2A293-7214	11	3-485-010001	20	43028	05
3-007-010039	61	3-557-010032	05	4Z4306	11
3-054-010101	59	3-557-010182	05	514-9045-26	56
3-120-010124	56	3-573-010031	49	514-9073-18	56
3-136-010001-02	61	3-573-010057	49	55B61	33
3-141-010008	59	3-573-010127	49	55B61	61
3-141-010121	59	3-573-010134	49	55B61-6	33
3-141-010152	59	3-573-010210	49	55B61-7	33
3-141-010155	59	3-573-010300	49	56D4	27
3-155-010012	56	3-573-010377	49	59S-7	13
3-155-010025	56	3-573-010378	49	59W-2-3	13
3-161-010034	11	3-573-010378	59	60015Y	13
3-161-010034	61	3-573-010506	49	60202R	13
3-162-010001	56	3-573-010506	53	60202Y	13
3-174-010026	15	3-659-010012	31	60215Y	13
3-174-010026	20	3-711-010025	59	60700	13
3-174-010038	42	3-711-010055	11	61258	35
3-174-010039	35	3-711-010055	61	622-3511-008	15
3-174-010039	41	3-720-010030	17	622-3511-008	20
3-174-010039	42	3-755-010003	05	6-557-010163	59
3-174-010039	46	3-755-010189-03	15	68CA-2-2	11
3-174-010042	15	3-755-010189-03	20	68CA-2-2	61
3-174-010042	20	3-755-010189-1	15	758-181	27
3-181-010006	13	3-755-010189-1	20	7HCGHT500	41
3-182-010028	56	3-762-010017	15	7HCGHT500	46
3-201-010002	33	3-762-010017	20	805-2	15
3-238-010001	11	3-780-010002	15	805-2	20

PART	PAGE	PART	PAGE
900 08 186	23	B10036	39
900 45 040	23	B10066	39
900 54 007	21	B10130	39
900 54 107	21	B10229.S	39
90008139	23	B10236	39
90008184	23	B7-141-003	59
900-25-288	23	C10078	39
900598-12S	56	C10085	39
905-54-107	61	C10140.2	39
905-57-129	23	C10155	39
930 03 597	23	C10177	39
93201057	23	C10209	39
934 00 149	23	C10217	39
934 00 492	23	C10233	39
934-00-367	23	C10234	39
934-00-506	23	C10256	39
934-00-506	23	C10259	39
936 00 077	23	D10116.2	39
941 00 119	21	D10201.2	39
94100590	23	D-2H16	25
94100648	23	HM212011	31
94100685	23	HM212049	31
94100787	23	HM218210	31
94100790	23	HM218248	31
94926	13	K71-135-00	25
A001	61	K71-136-00	25
A10033	39	K71-138-00	25
A10037.1	39	NB-2-016	61
A10037.3	39	PMCK-5600	06
A10038.6	39	PMCK-AD-461	07
A10038.7	39	RPRB59004X3H	51
A10040	39	TR545D	31
A10052.3	39	TR573	31
A10054.3	39		
A10054.6	39		
A10054.7	39		
A10059.1	39		
A10101	39		
A10102	39		
A10212	39		
A10218	39		
A10230	39		
A10255	39		
A10260.1	39		