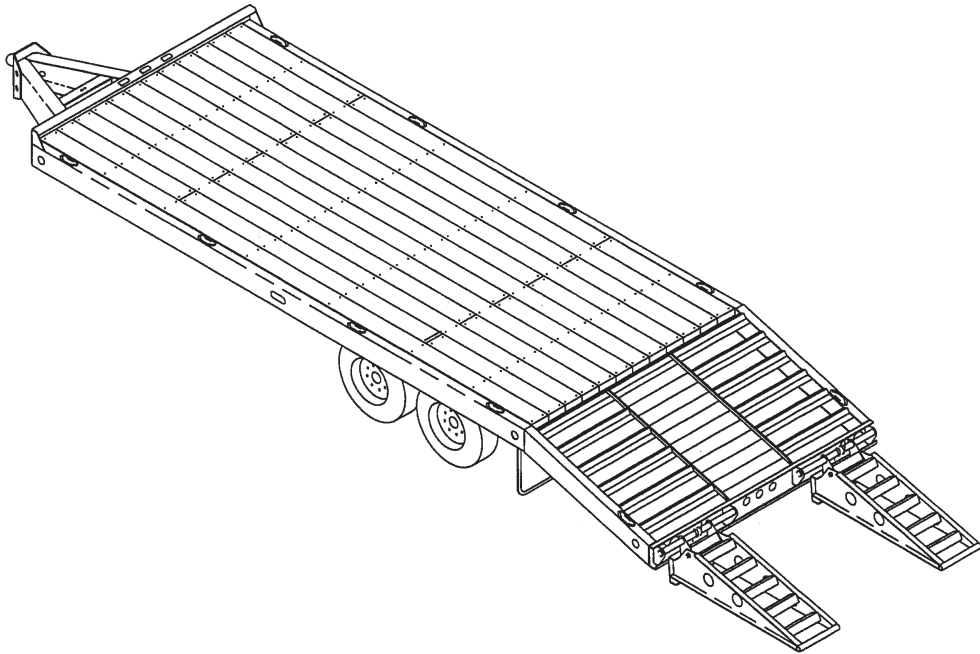




**MODELS L2024, L2024HD, L2424  
TAG TRAILER  
PARTS MANUAL**



**1900 NORTH STREET  
MARYSVILLE, KANSAS 66508  
(785) 562-5381**



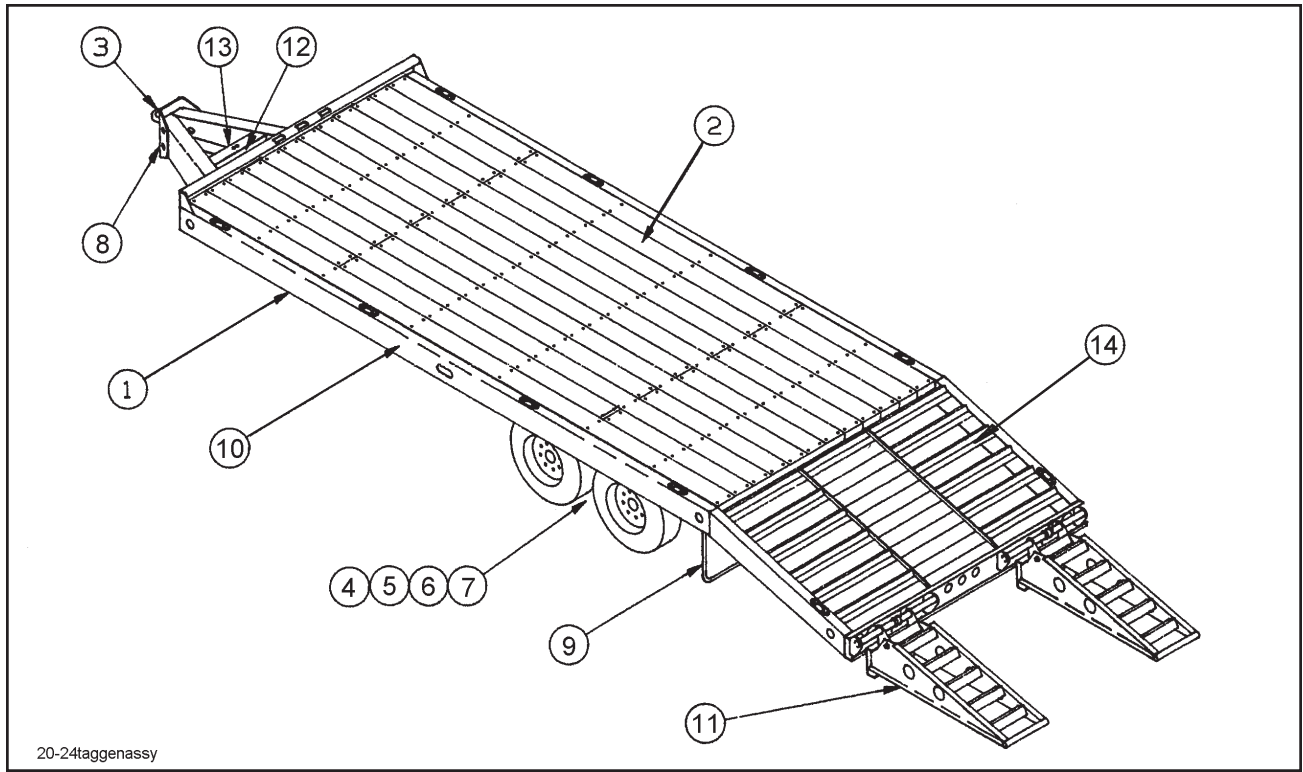
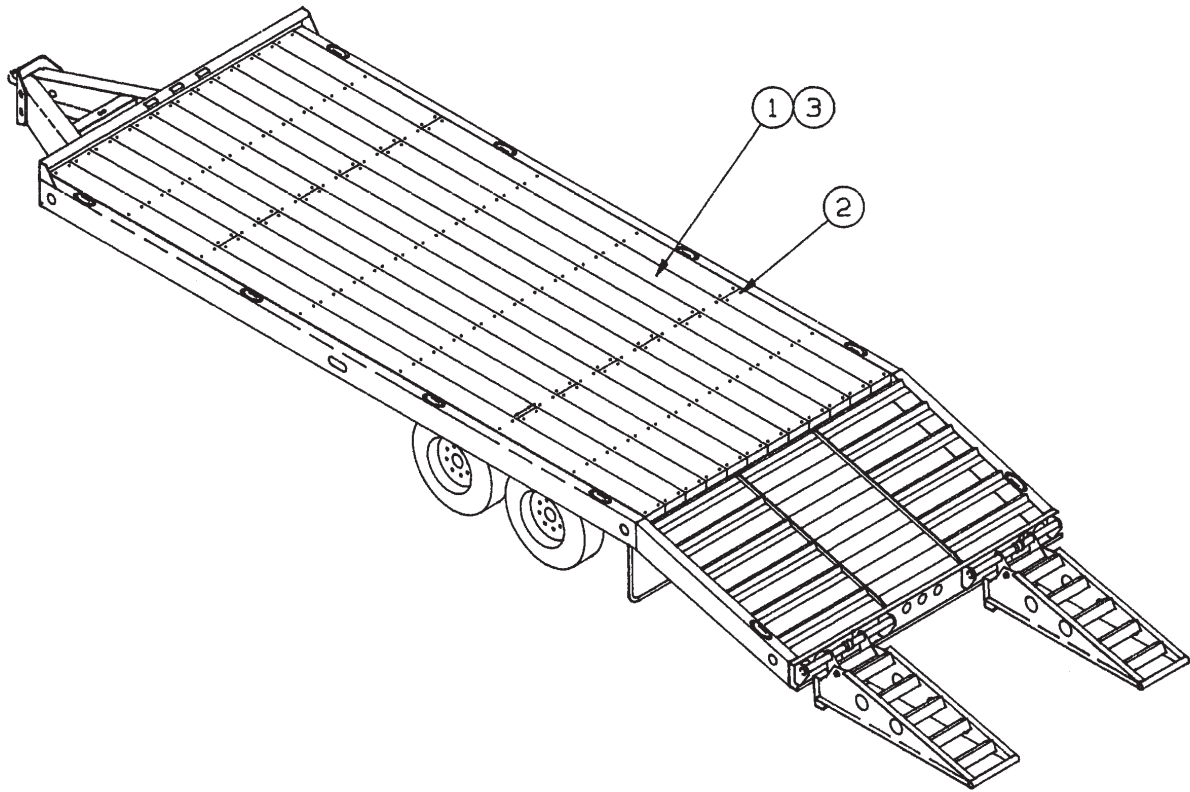


Figure 1-1 General Assembly

## GENERAL ASSEMBLY

ITEM	PART/PAGE NO.	DESCRIPTION	QTY.
1	3-311-016250	FRAME WLDMT TAG L20-24 (SELF-CLEAN B/T) X 102	1
	3-311-016250-01	FRAME WLDMT TAG L20-24 (WOOD B/T) X 102	1
	3-311-016268	FRAME WLDMT TAG L20HD/L24 (S/C B/T) X 102	1
	3-311-016268-01	FRAME WLDMT TAG L20HD/L24 (WOOD B/T) X102	1
2	1-2 - 1-3	FLOOR ASSEMBLY	2
3	1-4 - 1-7	HITCH ASSEMBLIES	1
4	1-8 - 1-9	SUSPENSION ASSEMBLY	1
5	1-10 - 1-13	BRAKE ASSEMBLES	1
6	1-14 - 1-15	HUB AND DRUM ASSEMBLY	1
7	1-16 - 1-21	AIR SYSTEM ASSEMBLIES	1
8	1-22 - 1-25	ELECTRICAL ASSEMBLY	1
9	1-26	MUD FLAP ASSEMBLY	1
10	1-27 - 1-29	DECAL INSTALLATION	1
11	1-30 - 1-31	RAMP ASSEMBLIES	1
12	1-32 - 1-33	TOOL BOX (OPTION)	1
13	1-34 - 1-37	JACKSTAND/LANDING GEAR ASSEMBLIES	1
14	1-38 - 1-40	MISCELLANEOUS OPTIONS	1



3m304-010079

Figure 1-2 Floor Assembly

## **FLOOR ASSEMBLY (SELF-CLEANING OR WOOD B/T)**

---

<b>ITEM</b>	<b>PAGE NO.</b>	<b>DESCRIPTION</b>
	3-304-010078	DECK ASSEMBLY FIR SELF-CLEAN B/T
	3-304-010079-01	FLOOR WOOD DECK APITONG SELF-CLEAN B/T
	3-304-010078-01	DECK ASSEMBLY FIR WOOD B/T
	3-304-010080-02	FLOOR WOOD DECK APTIONG WOOD B/T
1	RWD39000	APITONG, 1-3/8 X 7.08
2	3-654-010129-1	SCREW, TORQUE 5/16X3
3	RWD39013	FIR, 2 X 10

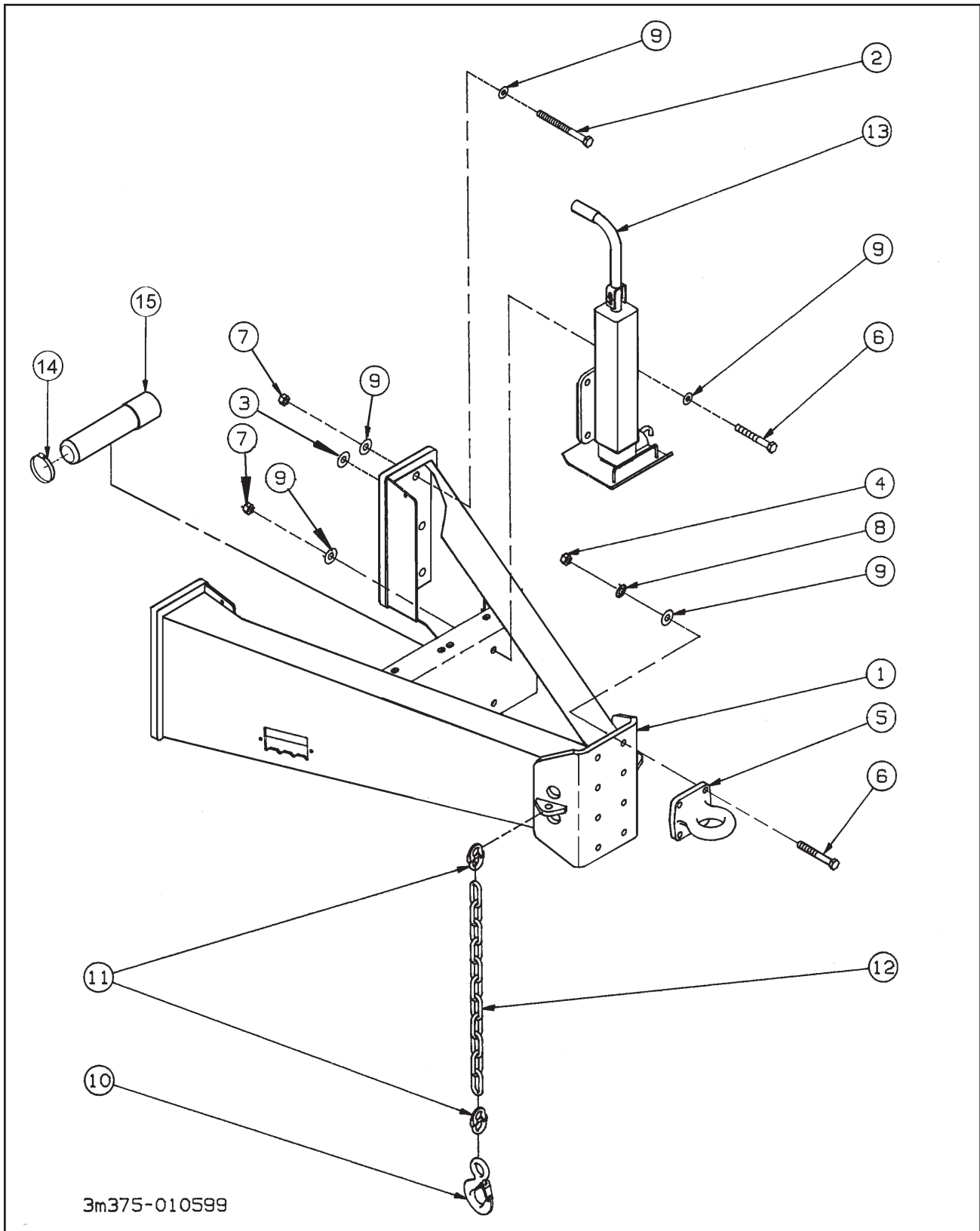


Figure 1-3 Pintle Hitch Assembly

## PINTLE HITCH ASSEMBLY

ITEM	PART NO.	DESCRIPTION	QTY.
	3-375-010599	HITCH ASSEMBLY L20 TAG TRAILER	
1	3-375-010597	HITCH WELDMENT, TAG D	1
2	1-654-010061-09	SCREW, HEX HEAD CAP 3/4-10X3 GR5	10
3	1-861-010032-20	WASHER, FLAT 3/4N	2
4	1-512-010006-08	NUT, HEAVY HEX 3/4-10 GR5	4
5	1385	PINTLE EYE	1
6	1-654-010061-07	SCREW, HEX HEAD CAP 3/4-10X2-1/2 GR5	8
7	1-512-010005-15	NUT, HEX LOCK 3/4-10 GRB	14
8	1-861-010034-17	WASHER, SPLIT LOCK 3/4	4
9	1-861-010032-21	WASHER, FLAT 3/4W	30
10	3-382-010019	HOOK EYE W/ LATCH ASSEMBLY	2
11	3-174-010042	CHAIN LINK CONNECTING 3/8	4
12	3-174-010018036	CHAIN 3/8 HI TEST 3 FT.	2
13	3-423-010039	JACK WELDMENT 12K (SEE PAGE 1-35)	1
14	105-0094	HOSE CLAMP, 4-1/8 - 5	1
15	130511	TUBE ASSEMBLY, MANUAL STORAGE	1
16	F-203-___	MANUAL, L18, L20, L24, L40, AND L50 OPER (NOT SHOWN)	1

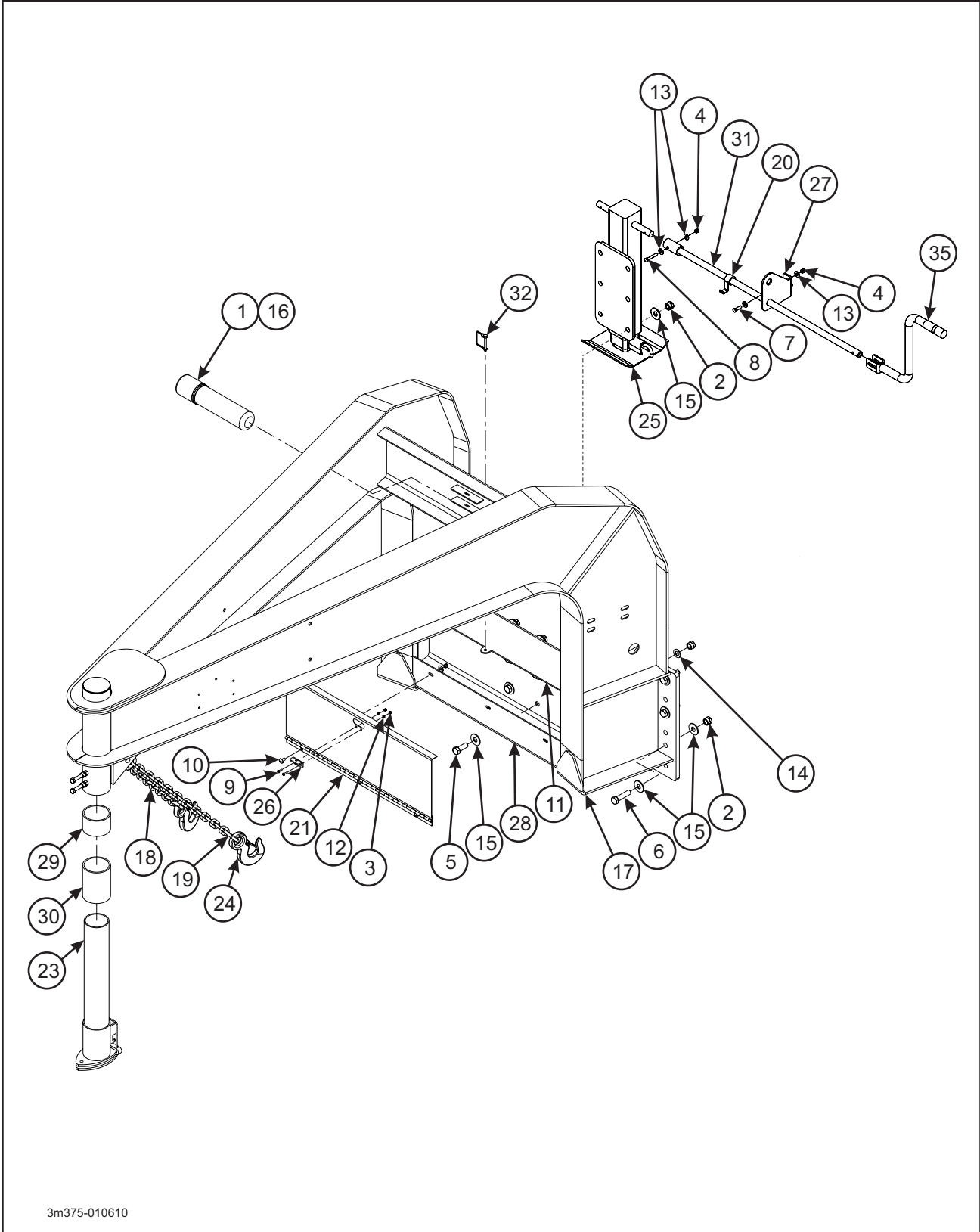
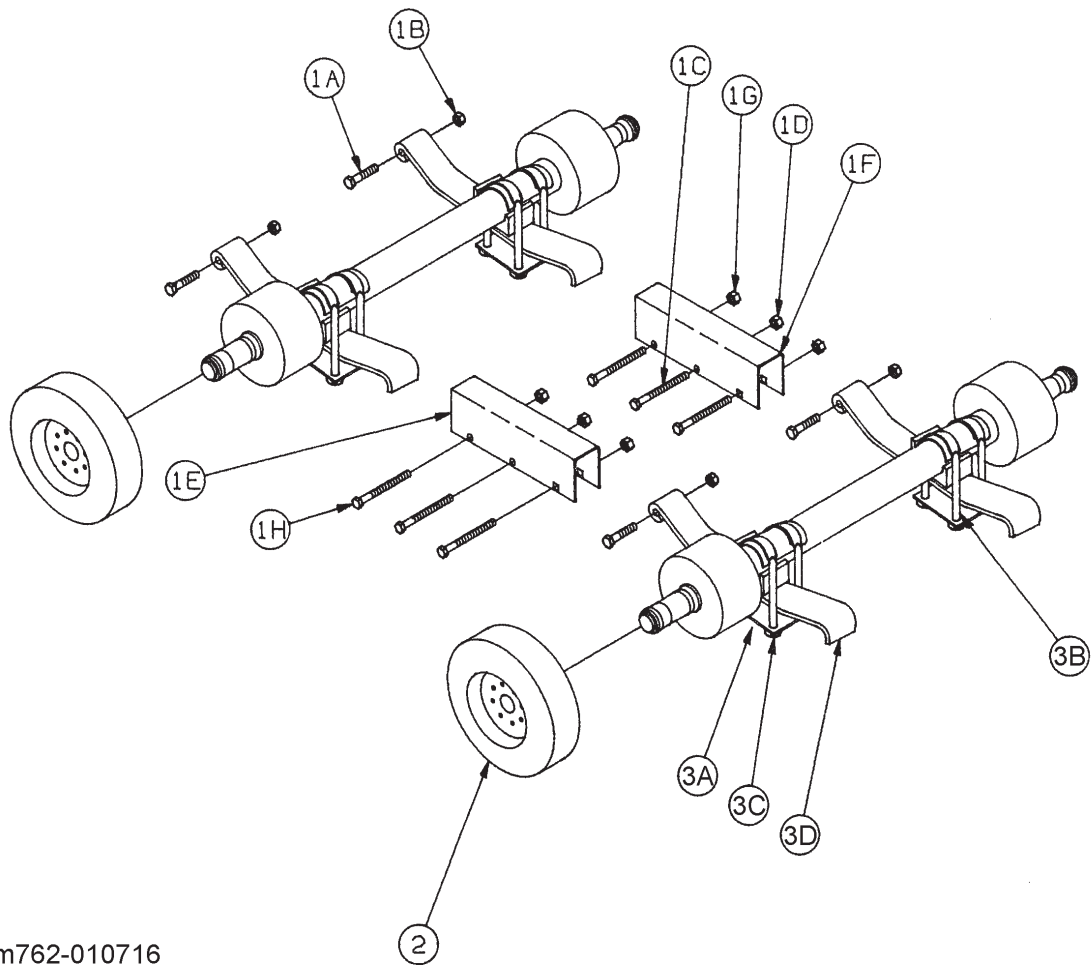


Figure 1-4 Gooseneck Hitch Assembly (Option)

## **GOOSENECK HITCH ASSEMBLY (OPTION)**

<b>ITEM</b>	<b>PART NO.</b>	<b>DESCRIPTION</b>	<b>QTY.</b>
	3-375-010610-01	HITCH GOOSENECK TAG TRAILER 2-5/16 BALL	
	122817	HITCH GOOSENECK TAG TRL L20 JR 5TH WHEEL	
	123738	HITCH GOOSENECK TAG TRL L20 5TH WHEEL	
1	130511	TUBE ASSEMBLY, MANUAL STORAGE	1
2	1-512-010002-15	NUT, HEX LOCK 3/4-10 GRC	16
3	1-512-010004-03	NUT, HEX LOCK 10-24 GRA	2
4	1-512-010005-05	NUT, HEX LOCK 3/8-16 GRB	6
5	1-654-010032-05	SCREW, HEX HEAD CAP 3/4-10 X 2 GR8	6
6	1-654-010032-09	SCREW, HEX HEAD CAP 3/4-10 X 3 GR8	10
7	1-654-010051-06	SCREW, HEX HEAD CAP 3/8-16 X 1-1/4 GR5	2
8	1-654-010051-10	SCREW, HEX HEAD CAP 3/8-16 X 2-1/4 GR5	1
9	1-654-010100026	SCREW, MACHING SLOT TRH #10-24 X 3/4	2
10	1-654-010100071	SCREW, MACHING SLOT TRH 3/8-16 X 3/4	3
11	1-822-010003	TRIM-LOK 1/8	AR
12	1-861-010032-03	WASHER, FLAT #10	2
13	1-861-010032-11	WASHER, FLAT 3/8W	9
14	1-861-010032-20	WASHER, FLAT 3/4N	2
15	1-861-010032-21	WASHER, FLAT 3/4W	30
16	105-0094	HOSE CLAMP, 4-1/8 - 5	1
17	3-336-010060	GOOSENECK WELDMENT (L20/L20HD/L24)	1
	122816	GOOSENECK WELDMENT (L20 JR 5TH WHL)	1
	123597	GOOSENECK WELDMENT (L20/L20HD/L24 5TH WHL)	1
18	3-174-010018036	CHAIN 3/8 HI TEST 3 FT.	2
19	3-174-010042	CHAIN LINK CONNECTING 3/8	4
20	3-187-010019	CLIP WELDMENT JACK HANDLE	1
21	3-222-010219	COVER WELDMENT TOOLBOX G/N	1
23	3-375-010609-02	HITCH 2-5/16 IN BALL RECEIVER (L20/L20HD/L24)	1
	122814	HITCH, JR. 5TH WHEEL ASSY (L20/L20HD/L24)	1
	123712	TUBE WELDMENT, INNER 5TH WHL (L20/L20HD/L24)	1
24	3-382-010019	HOOK EYE W/ LATCH ASSEMBLY	2
25	3-423-010042	JACK, 12000 LB DROPLEG WELDMENT (SEE PAGE 1-37)	1
26	3-443-010020	LATCH TOOL BOX DOOR G/N	1
27	3-565-011865	PLATE, HANDLE BRACE	1
28	3-659-010013	SEAL, NEOPRENE SPONGE 3/16 X 1/2	AR
29	3-711-010123003	SPACER, GOOSENECK HITCH TUBE X 3	1
30	3-711-010123006	SPACER, GOOSENECK HITCH TUBE X 6	1
31	3-831-010178	TUBE WELMENT HANDLE EXTENSION	1
32	516-22PTL	PIN, MUD FLAP	1
35	015181	CRANK ASSEMBLY (SEE PAGE 1-37)	REF



3m762-010716

Figure 1-5 Suspension Assembly

## SUSPENSION ASSEMBLY

ITEM	PART NO.	DESCRIPTION	QTY.
	101535	SUSPENSION ASSEMBLY L24 102 AIR LG GY	
	101536	SUSPENSION ASSEMBLY L20HD 102 AIR LG GY	
	125253	SUSPENSION ASSEMBLY L20HD 102 ELEC BRK GY	
	140260	SUSPENSION ASSEMBLY L24 102 ELEC BRK GY	
	143261	SUSPENSION ASSEMBLY L20HD ELEC BRK 235/R16MN	
	143262	SUSPENSION ASSEMBLY L24 ELEC BRK 235/R16MN	
	143263	SUSPENSION ASSEMBLY L20HD AIR 235/R16MN	
	143264	SUSPENSION ASSEMBLY L24 AIR 235/R16MN	
1	3-042-010146-02	AXLE ATTACHMENT 12K CONSISTS OF THE FOLLOWING:	1
1A	----	SPRING EYE BOLT	4
1B	----	LOCKNUT	4
1C	----	EQUALIZER BOLT	2
1D	----	LOCKNUT	2
1E	----	EQUALIZER	2
1F	----	LOCKNUT	4
1G	----	KEEPER BOLT	4
1H	----	DECAL	2
2	3-798-010117	TIRE & DISC RIM 9.50X16.5 CONSISTS OF THE FOLLOWING:	8
	3-870-010096	WHEEL 16.5 X 6.75	1
	3-798-010116	TIRE 9.50-16.5LT GOODYEAR	1
	TR416	VALVE STEM TUBELESS TIRE	1
	143260	TIRE & DISC RIM 235/80R16 10K CONSISTS OF THE FOLLOWING:	8
	132135	WHEEL 4-3/4 HUB PLT 16 X 6	1
	143237	TIRE 235/80R16 LRE IMPORT	1
	TR416	VALVE STEM TUBELESS TIRE	1
3	*103689***	AXLE ASSEMBLY 10KHD 78 TRK AIR ABS	2
	**125242***	AXLE ASSEMBLY 10KHD 78 TRK ELEC BRK	2
3A	139281	TIE PLATE	2
3B	139282	U-BOLT	4
3C	139283	NUT, U-BOLT	8
3D	139285	SPRING/BUSHING	2
3E	139284	WASHER, U-BOLT	8
	*103690***	AXLE ASSEMBLY 12K 78 TRK AIR ABS	2
	**140259***	AXLE ASSEMBLY 12K 78 TRK ELEC BRK	2
3A	131064	TIE PLATE	2
3B	131063	U-BOLT	4
3C	131062	NUT, U-BOLT	8
3D	139286	SPRING W/ RUBBER BUSHING	2
3E	139284	WASHER, U-BOLT	8

\* SEE PAGE 1-11 FOR AIR BRAKE BREAKDOWN.

\*\* SEE PAGE 1-13 FOR ELECTRIC BRAKE BREAKDOWN.

\*\*\* SEE PAGE 1-15 FOR HUB AND DRUM BREAKDOWN.

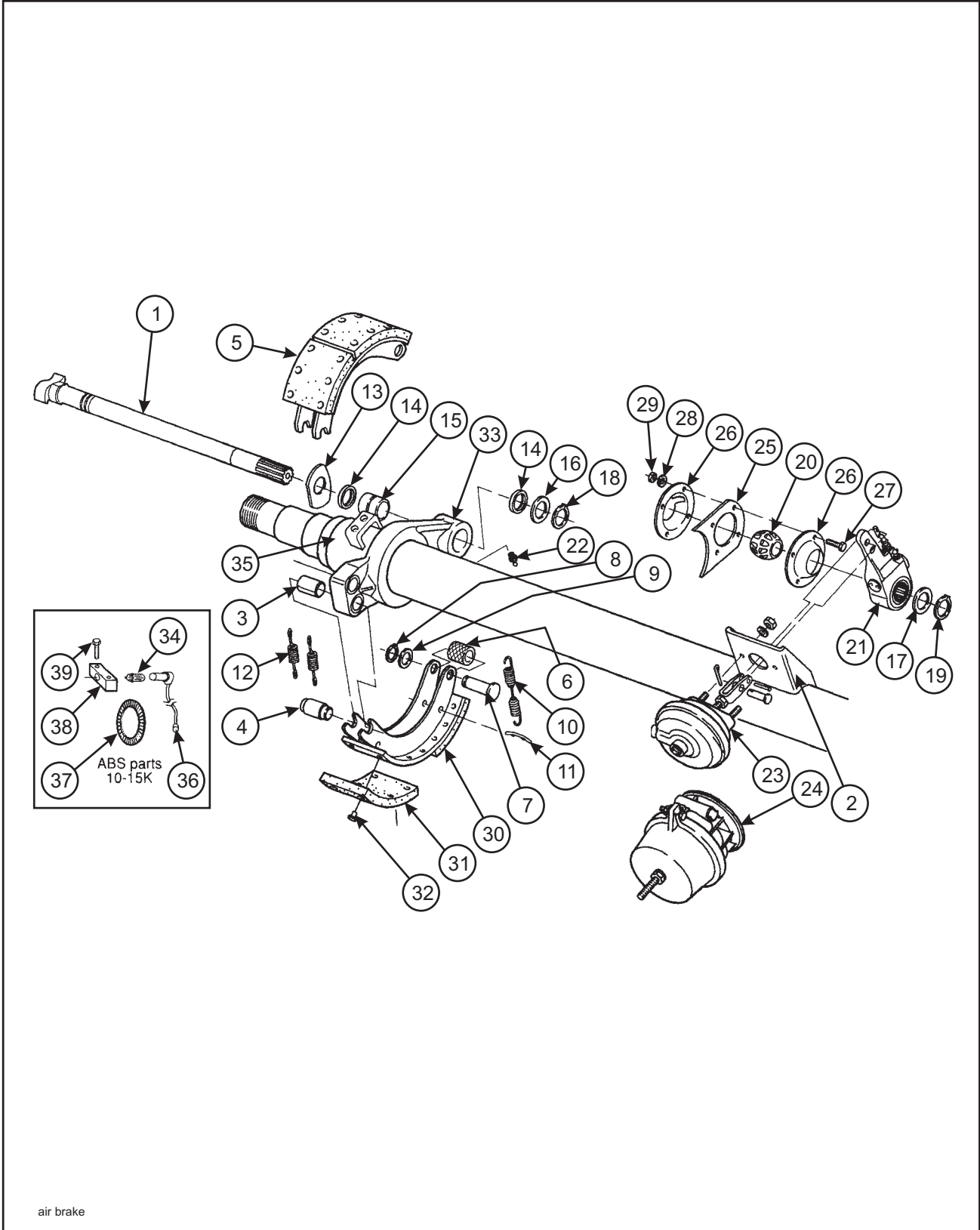


Figure 1-6 10K HD and 12K Air Brake

## 10K HD AND 12K AIR BRAKE

ITEM	PART NO.	DESCRIPTION	QTY.
1	034-188-03	CAMSHAFT LH	1
	034-189-03	CAMSHAFT RH	1
2	034-048-00	AIR CHAMBER BRACKET	1
	K71-460-00	BRAKE SHOE REPAIR KIT (INCL 3-4, 6-12)	
3	---	BUSHING-SPIDER ANCHOR PIN	2
4	---	ANCHOR PIN	2
5	144973	SHOE AND LINING ASSEMBLY (10KHD)	2
	144974	SHOE AND LINING ASSEMBLY (12K)	2
6	---	ROLLER	1
7	---	ROLLER PIN	2
8	---	ROLLER PIN RETAINER	2
9	---	ROLLER PIN SPACER	2
10	---	RETRACTOR SPRING	1
11	---	RETAINER PIN	2
12	---	SHOE KEEPER SPRING	2
13	005-074-00	"D" WASHER, CAMSHAFT	1
14	010-052-00	GREASE SEAL	1
15	014-056-00	CAMSHAFT BUSHING	1
16	005-075-00	WASHER, CAMSHAFT SPIDER END	7
17	113819	CAMSHAFT WASHER - 28 SPLINE	7
18	069-020-00	RETAINER, CAMSHAFT	1
19	069-078-00	RETAINER, CAMSHAFT END	1
20	014-058-00	CAMSHAFT SUPPORT BUSHING	1
21		AUTOMATIC SLACK ADJUSTER - 28 SPLINE	1
22	113820	GREASE FITTING	1
23	144975	AIR CHAMBER W/ HARDWARE (10KHD)	1
	144976	AIR CHAMBER W/ HARDWARE (12K)	1
24	113823	AIR CHAMBER W/ SPRING BRAKE (10KHD)	1
	144977	AIR CHAMBER W/ SPRING BRAKE (12K)	1
25	034-031-00	PLATE, CAMSHAFT SUPPORT BRACKET	1
26	034-032-00	PLATE, BUSHING RETAINER	2
27	007-139-00	BOLT, RETAINER PLATE	4
28	005-079-00	LOCK WASHER	4
29	006-099-00	NUT	4
	113822	BRAKE BLOCK KIT (K71-102-00) (ITEMS 30-32) (10KHD)	1
	144978	BRAKE BLOCK KIT (K71-152-00) (ITEMS 30-32) (12K)	1
30	---	BRAKE BLOCK CAM	2
31	---	BRAKE BLOCK ANCHOR	2
32	---	RIVET	24
33	113821	BRAKE SPIDER	1
34	144979	ABS SENSOR RETAINING CLIP	1
35	144980	ABS LOWER SENSOR MOUNTING BLOCK	1
36	128550	ABS SENSOR 90°	1
37	144981	ABS TONE RING IN DRUM	1
38	141931	ABS UPPER SENSOR MOUNTING BLOCK	1
39	144982	MOUNTING SCREW UPPER BLOCK	2

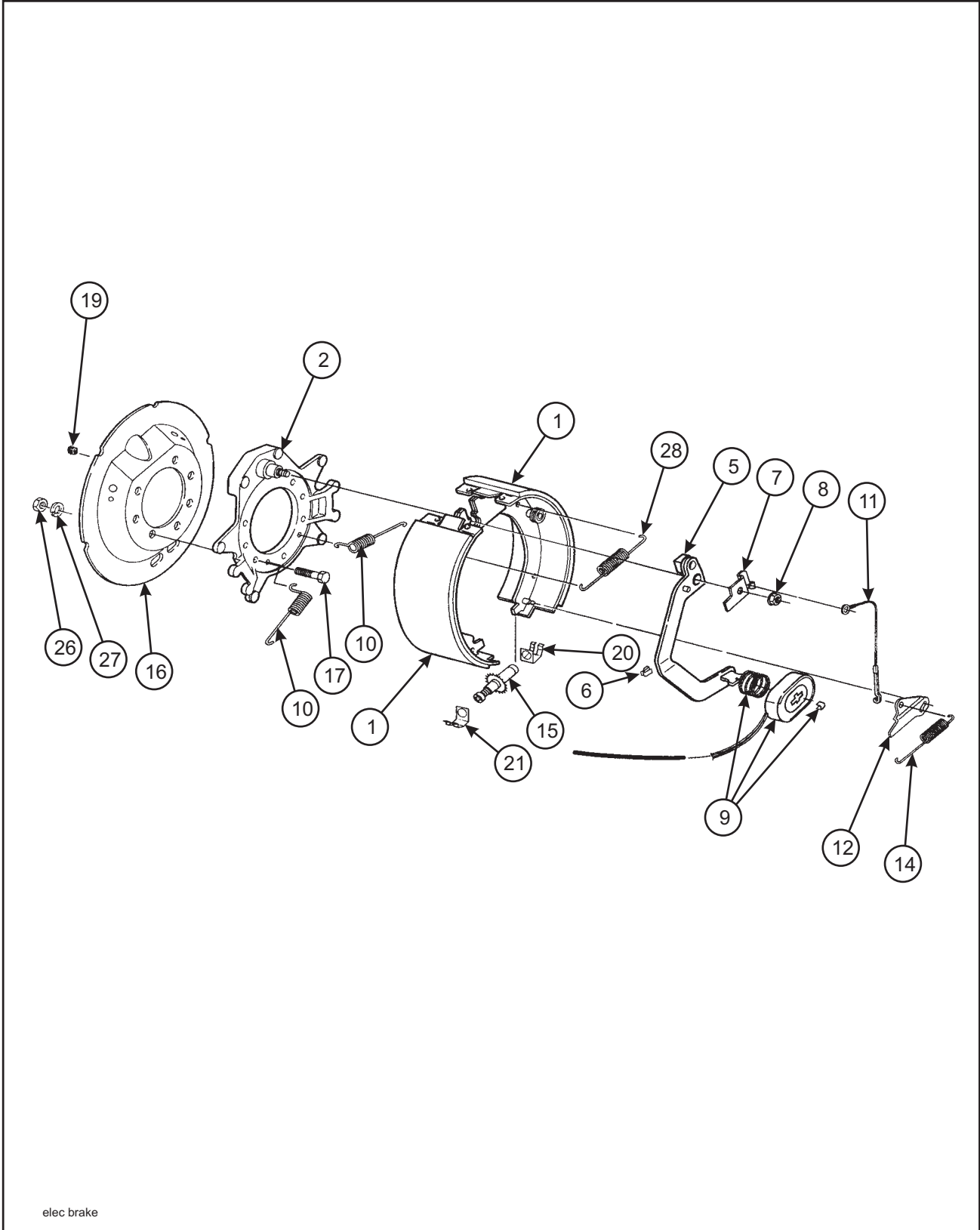
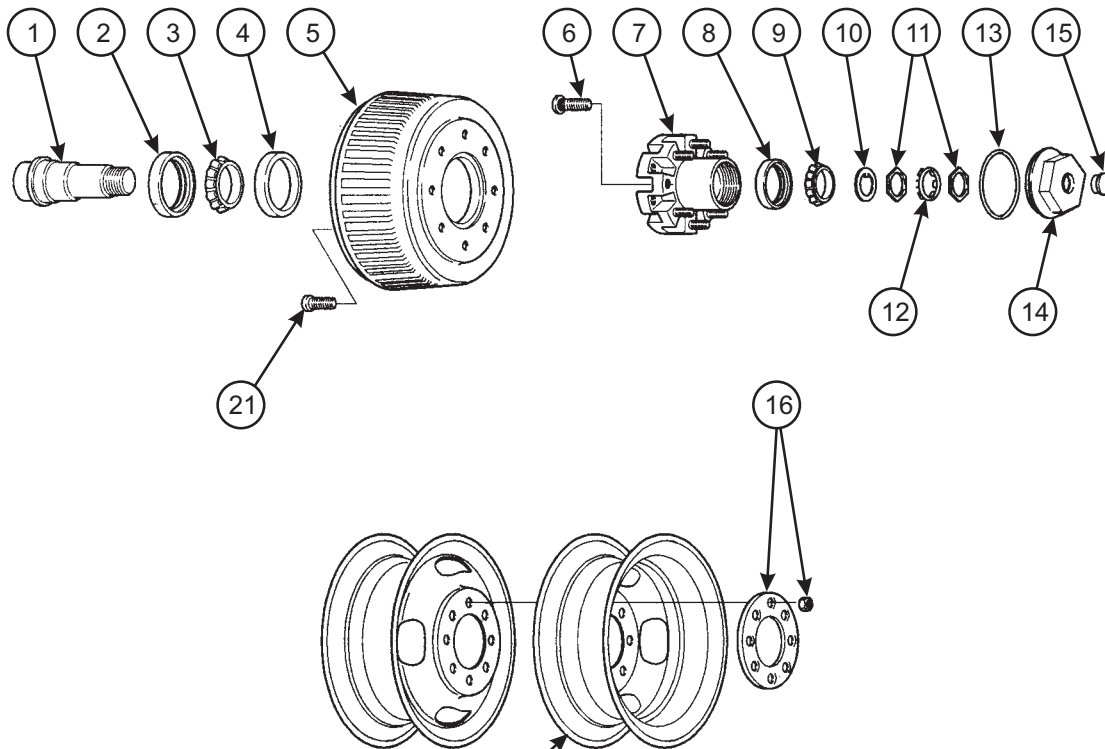


Figure 1-7 10K HD and 12K Electric Brake

## 10K HD AND 12K ELECTRIC BRAKE

ITEM	PART NO.	DESCRIPTION	QTY.
1	144983	LH SHOE & LINING KIT (K71-501-00) (10KHD)	1
	144984	LH SHOE & LINING KIT (K71-503-00) (12K)	1
	---	LH PRIMARY	1
	---	LH SECONDARY	1
1	144985	RH SHOE & LINING KIT (K71-500-00) (10KHD)	1
	145011	RH SHOE & LINING KIT (K71-502-00) (12K)	1
	---	RH PRIMARY	1
	---	RH SECONDARY	1
2	144986	BACKING PLATE ASSEMBLY	1
5	144987	LH ACTUATING ARM ASSEMBLY (10KHD)	1
	144988	LH ACTUATING ARM ASSEMBLY (12K)	1
	144989	RH ACTUATING ARM ASSEMBLY (10KHD)	1
	144990	RH ACTUATING ARM ASSEMBLY (12K)	1
6	144991	WIRE CLIPS	3
7	144992	LH ARM/SHOE RETAINER	1
	144993	RH ARM/SHOE RETAINER	1
8	111933	FLANGE NUT	1
9	101410	MAGNET KIT (K71-376-00) (10KHD)	1
	101416	MAGNET KIT (K71-377-00) (12K)	1
	---	MAGNET	1
	---	MAGNET RETAINER CLIP	1
	---	MAGNET SPRING	1
10	144994	CENTERING SPRING	2
11	144995	ADJUSTER CABLE	1
12	144996	LH ADJUSTER LEVER	1
	144997	RH ADJUSTER LEVER	1
14	144998	ADJUSTER SPRING	1
15	144999	LH ADJUSTER ASSEMBLY	1
	145000	RH ADJUSTER ASSEMBLY	1
16	145001	DUST SHIELD (10KHD)	1
	145002	DUST SHIELD (12K)	1
17	111934	BRAKE MOUNTING SCREW	7
19	145003	WIRE GROMMET	1
20	145004	ADJUSTER CLIP (THREAD END)	1
21	145005	ADJUSTER CLIP (BARREL END)	1
26	145006	BRAKE MOUNTING NUT	7
27	145007	BRAKE MOUNTING LOCKWASHER	7
28	145008	RETURN SPRING	1



SEE PAGE 1-8 AND 1-9  
 SUSPENSION ASSEMBLY  
 FOR TIRE AND DISC RIM  
 P/N'S.

hub group

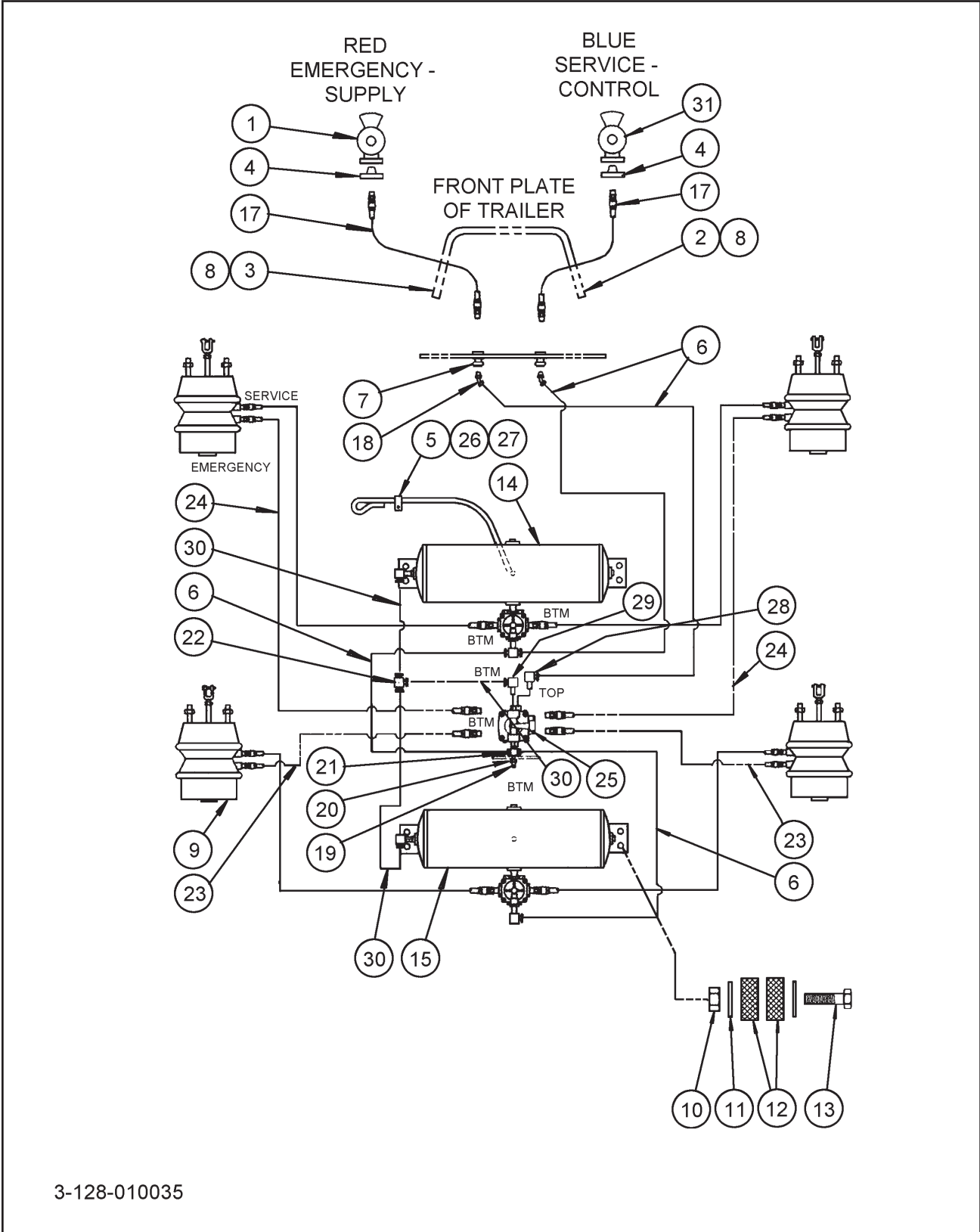
Figure 1-8 10K HD and 12K Hub and Drum Assembly

## 10K HD AND 12K HUB AND DRUM

ITEM	PART NO.	DESCRIPTION	QTY.
1	**	AXLE BEAM 10K HD	1
	**	AXLE BEAM 12K	1
2	111952	UNITIZED OIL SEAL	1
3	111953	INNER BEARING CONE (10KHD)	1
	111954	INNER BEARING CONE (12K)	1
4	111955	INNER BEARING CUP (10KHD)	1
	111956	INNER BEARING CUP (12K)	1
5	145009	BRAKE DRUM - ABS (10KHD)	1
	145010	BRAKE DRUM - ABS (12K)	1
6	111959	WHEEL MOUNTING STUD	8
7	111960	HUB W/ CUPS & STUDS (10KHD)	1
	111961	HUB W/ CUPS & STUDS (12K)	1
8	111962	OUTER BEARING CUP (10KHD)	1
	111963	OUTER BEARING CUP (12K)	1
9	111964	OUTER BEARING CONE (10KHD)	1
	111965	OUTER BEARING CONE (12K)	1
10	111966	SPINDLE WASHER	1
11	111967	SPINDLE NUT	2
12	111968	TANG WASHER	1
13	113835	OIL CAP "O" RING	1
14	111948	OIL CAP	1
15	152636	OIL CAP PLUG	1
16	113838	WHEEL CAMP RING	1
	113840	WHEEL NUT	8
21	131070	DRUM MOUNTING SCREW	1

\*\* AXLE BEAMS HAVE NO VENDOR PART NO.; THEY ARE BOUGHT PER THE FOLLOWING DESCRIPTION:

L20HD - 10K HEAVY DUTY AXLE, 78" TRACK, 46" SPRING CENTER, 48-1/2" AXLE SPACING, 12-1/4" X 4" AIR BRAKE.  
L20HD - 10K, 78" TRACK, 46" SPRING CENTER, 48-1/2" AXLE SPACING, 12-1/4" X 4" ELECTRIC BRAKE.  
L24 - 12K AXLE, 78" TRACK, 46" SPRING CENTER, 48-1/2" AXLE SPACING, 12-1/4" X 5" AIR BRAKE.  
L24 - 12K AXLE, 78" TRACK, 46" SPRING CENTER, 48-1/2" AXLE SPACING, 12-1/4" X 5" ELECTRIC BRAKE.

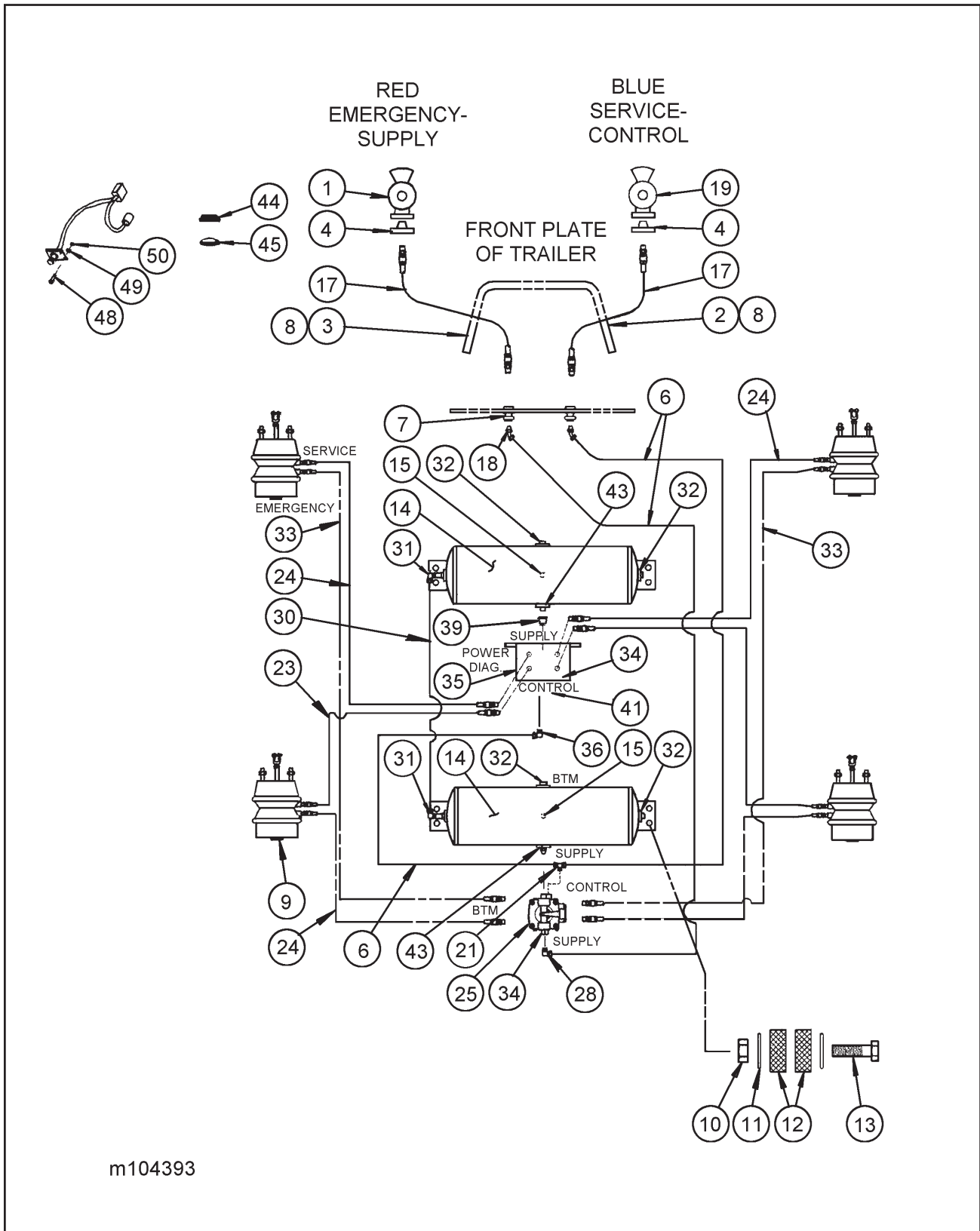


3-128-010035

Figure 1-9 Air System w/o ABS

## AIR SYSTEM W/O ABS

ITEM	PART/PAGE NO.	DESCRIPTION	QTY.
	3-128-010035	AIR SYSTEM W/O ABS	
1	108801	GLADHAND RED AIR	1
2	55B61-7	TAG, SERVICE	1
3	55B61-6	TAG, EMERGENCY	1
4	1/2X3/8BUSH	BUSHING 1/2X3/8	2
5	239-9076-1	CLAMP SUPPORT	2
6	1-833-010002	TUBE 3/8 OD NYLON	AR
7	1-297-010022-03	FITTING AIR ANCHOR COUPLING	2
8	10036	FASTENER SERIAL NUMBER PLATE	4
9	3-128-010002	CHAMBER SPRING BRAKE	REF
10	1-512-010005-05	NUT, HEX LOCK 3/8-16	8
11	1-861-010032-11	WASHER, FLAT 3/8W	16
12	805-2	BUSHING, STEP	16
13	1-654-010051-07	SCREW, HEX HEAD CAP 3/8-16X1-1/2 GR5	8
14	3-780-010011	RESERVOIR ASSEMBLY FRONT	1
15	3-780-010012	RESERVOIR ASSEMBLY REAR	1
16	2552	GROMMET (NOT SHOWN)	2
17	1-384-010380076	HOSE 3/8 X 76 W/ 3/8 ENDS	2
18	1-297-010013-12	FITTING, AIR 45	2
19	1-560-010002-02	PIPE PLUG 1/4	1
20	55B61	FRAME UNION	1
21	1-297-010015-07	FITTING AIR BR TEE 3/8 TUBE X 3/8 NPT	1
22	1-297-010010-06	FITTING, AIR UNION TEE 1/2	1
23	101003	HOSE, AIR 3/8 X 48	2
24	3-384-010020	HOSE 3/8 X 32	2
25	758-181	VALVE TASK	1
26	1-656-010003051	SCREW, RD HEAD MACH 10-24 X 3/4	2
27	1-512-010007-03	NUT, HEX 10-24	2
28	1-297-010008-20	FITTING 90	1
29	1-297-010008-23	FITTING 90	1
30	1-833-010003	TUBE 1/2 OD NYLON	AR
31	108802	GLAD HAND BLUE AIR	1

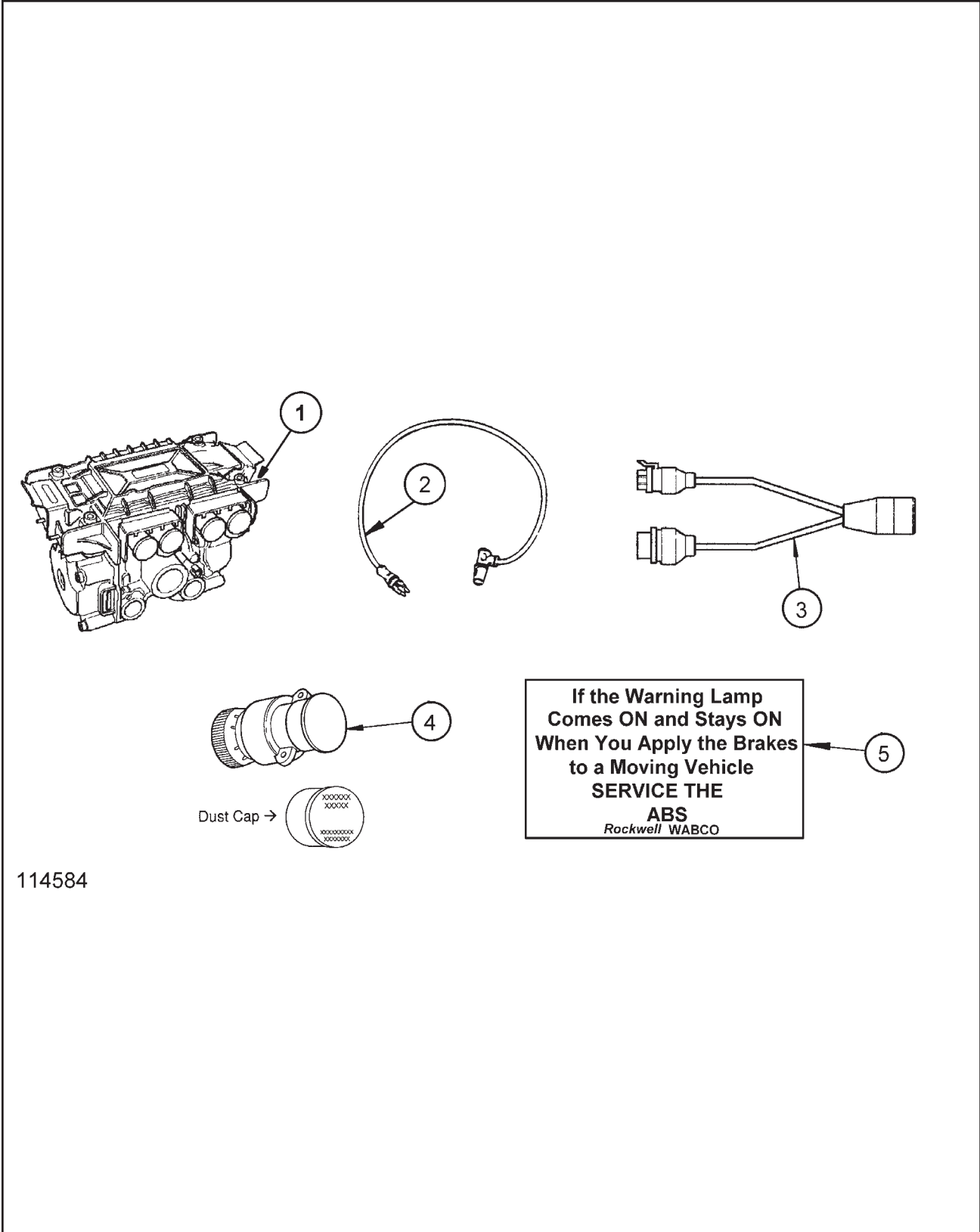


m104393

Figure 1-10 Air System w/ ABS

## AIR SYSTEM, ABS

ITEM	PART/PAGE NO.	DESCRIPTION	QTY.
	104393	AIR SYSTEM ABS	
1	108801	GLADHAND RED AIR	2
2	55B61-7	TAG, SERVICE	1
3	55B61-6	TAG, EMERGENCY	1
4	1/2X3/8BUSH	BUSHING 1/2X3/8	2
6	1-833-010002	TUBE 3/8 OD NYLON	AR
7	1-297-010022-03	FITTING AIR ANCHOR COUPLING	2
8	10036	FASTENER SERIAL NUMBER PLATE	4
9	3-128-010002	CHAMBER SPRING BRAKE	REF
10	1-512-010005-05	NUT, HEX LOCK 3/8-16	8
11	1-861-010032-11	WASHER, FLAT 3/8W	16
12	805-2	BUSHING, STEP	16
13	1-654-010051-07	SCREW, HEX HEAD CAP 3/8-16X1-1/2 GR5	8
14	3-780-010002	TANK, AIR	2
15	56D4	COCK, DRAIN AIR TANK	2
17	1-384-010380076	HOSE 3/8 X 76 W/ 3/8 ENDS	2
18	1-297-010013-12	FITTING, AIR 45	2
19	108802	GLAD HAND BLUE AIR	1
21	1-297-010015-07	FITTING AIR BR TEE 3/8 TUBE X 3/8 NPT	1
23	1-384-010038084	HOSE, AIR 3/8 X 84	2
24	3-384-010020	HOSE 3/8 X 32	4
25	758-181	VALVE TASK	1
28	1-297-010008-20	FITTING 90 3/8 TUBE X 3/8 NPT	1
30	1-833-010003	TUBE 1/2 OD NYLON	AR
31	1-297-010008-24	FITTING 90° AIR 1/2T X 1/2P	2
32	1-560-010002-04	PIPE PLUG 1/2	4
33	3-384-010022	HOSE, AIR 3/8 X 54	2
34	1-297-010033-03	FITTING, BRASS PLUG HEX	3
35	114586	BRAKE KIT, ROCKWELL ABS 4S/2M (SEE PAGE 1-21)	1
36	1-297-010008-18	FITTING, AIR 90	1
39	3/4X1/2BUSH	BUSHING, BLACK PIPE	1
41	1-560-010002-05	PLUG, PIPE 3/4	1
42	114587	MANUAL, ABS MAINTENANCE (NOT SHOWN)	1
43	2083-8-8S	NIPPLE	2
44	10403	GROMMET, MOUNT	1
45	3-446-010046	LIGHT, ABS LAMP 2/5 DIA AMBER	1
46	1-796-010003-01	TIE, STRAP PLASTIC (NOT SHOWN)	10
48	1-654-010047-06	SCREW, HEX HEAD CAP 1/4-20 X 1 GR5	2
49	1-861-010034-09	WASHER, SPLIT LOCK 1/4	2
50	1-512-010007-05	NUT, HEX 1/4-20	2



114584

Figure 1-11 Brake Kit, Rockwell ABS

## **ABS BRAKE KIT**

<b>ITEM</b>	<b>PART NO.</b>	<b>DESCRIPTION</b>	<b>QTY.</b>
	114586	ABS BRAKE KIT 4S/2M-TRI/SPRD	
1	114588	ECU/VALVE ASSEMBLY	1
2	103861	SENSOR EXTENSION CABLE 10FT	4
3	114590	POWER/DIAGNOSTIC CABLE 4.0M/3.0M	1
4	101851	DIAGNOSTIC SWITCH	1
5	101855	WARNING LAMP LABEL	1

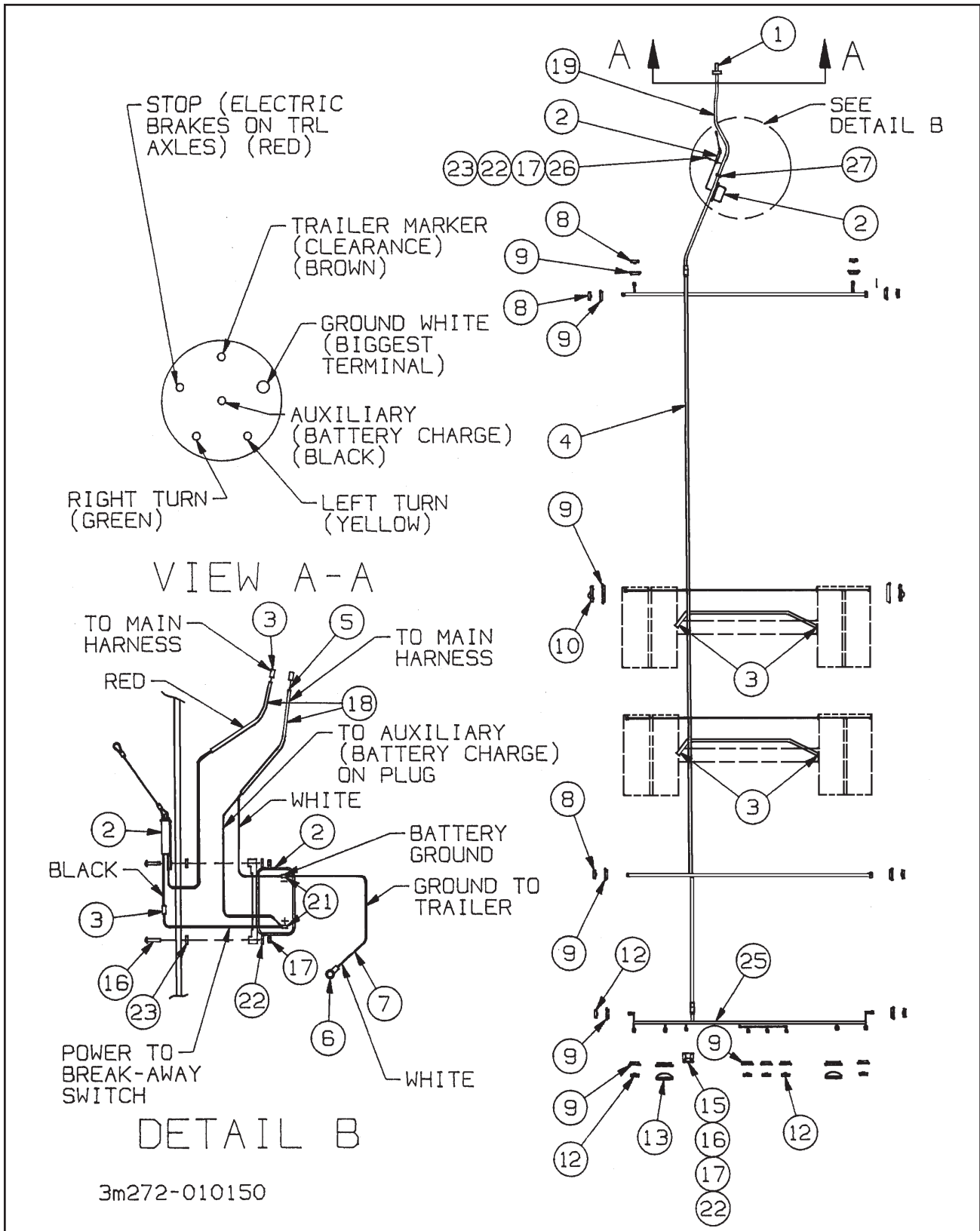


Figure 1-12 Electrical Assembly w/ Electric Brakes

## ELECTRICAL ASSEMBLY W/ ELECTRIC BRAKES

ITEM	PART NO.	DESCRIPTION	QTY.	
			-01	-02
	3-272-010150-01	STD ELECTRICAL SYSTEM - PINTLE HITCH	*	
	3-272-010150-02	STD ELECTRICAL SYSTEM - G/N HITCH		*
1	3-203-010026	CONNECTOR ELECT 6-WAY PLUG	1	1
2	3-128-010032	BRAKE, ELECT BRK-AWAY KIT CONTAINING:	1	1
	65117	BATTERY BOX	1	1
	65115	GELL CELL BATTERY	1	1
	65113	BREAKAWAY SWITCH W/ 48" CABLE	1	1
3	3-272-010021	ELECT BUTT SPLICE 16-14 W/ SEAL	10	10
4	3-368-010251	HARNESS MAIN TAG TRL 24 FT	1	1
5	1-879-010011	WIRE 14 AWG BLACK	3	3
6	31053	TERMINAL 16-14 X 10 RING	1	1
7	1-879-010010	WIRE WHITE 14 AWG	1	1
8	10205Y	REFLECTOR LAMP YELLOW	6	6
9	10404	GROMMET MOUNT 3 IN	15	15
10	60015Y	LIGHT TURN AND CLEARANCE	2	2
12	10205R	REFLECTOR LAMP RED	7	7
13	40002R	LIGHT 4 IN STOP TURNTAIL	2	2
15	15009	LICENSE LAMP	1	1
16	1-656-010003051	SCREW ROUND HEAD MACH 10-24X3/4	2	2
17	1-512-010007-03	NUT HEX 10-24	6	6
18	3-201-010002	CONDUIT 3/8 PLASTIC FLEX	3	3
19	3-368-010275	HARNESS, FRONT GOOSENECK	--	1
	3-368-010263	HARNESS, FRONT 10T	1	--
20	1-796-010003-02	TYTON STRAP (NOT SHOWN)	20	20
21	1-203-010040-5	CONN INSUL FEMALE PUSH-ON	2	2
22	1-861-010034-07	WASHER SPLIT LOCK #10	6	6
23	1-861-010032-03	WASHER, FLAT #10	8	8
25	3-368-010262	HARNESS REAR 10T	1	1
26	1-656-010003055	SCREW, RH HD MACHINE 10-24 X 1-1/4	4	4
27	2552	GROMMET	1	1
28	*3-128-010036	BRAKE CONTROLLER ELECTRONIC (OPTION) (NOT SHOWN)	1	1

\* REPLACEMENT PARTS NOT AVAILABLE FOR THIS ITEM.

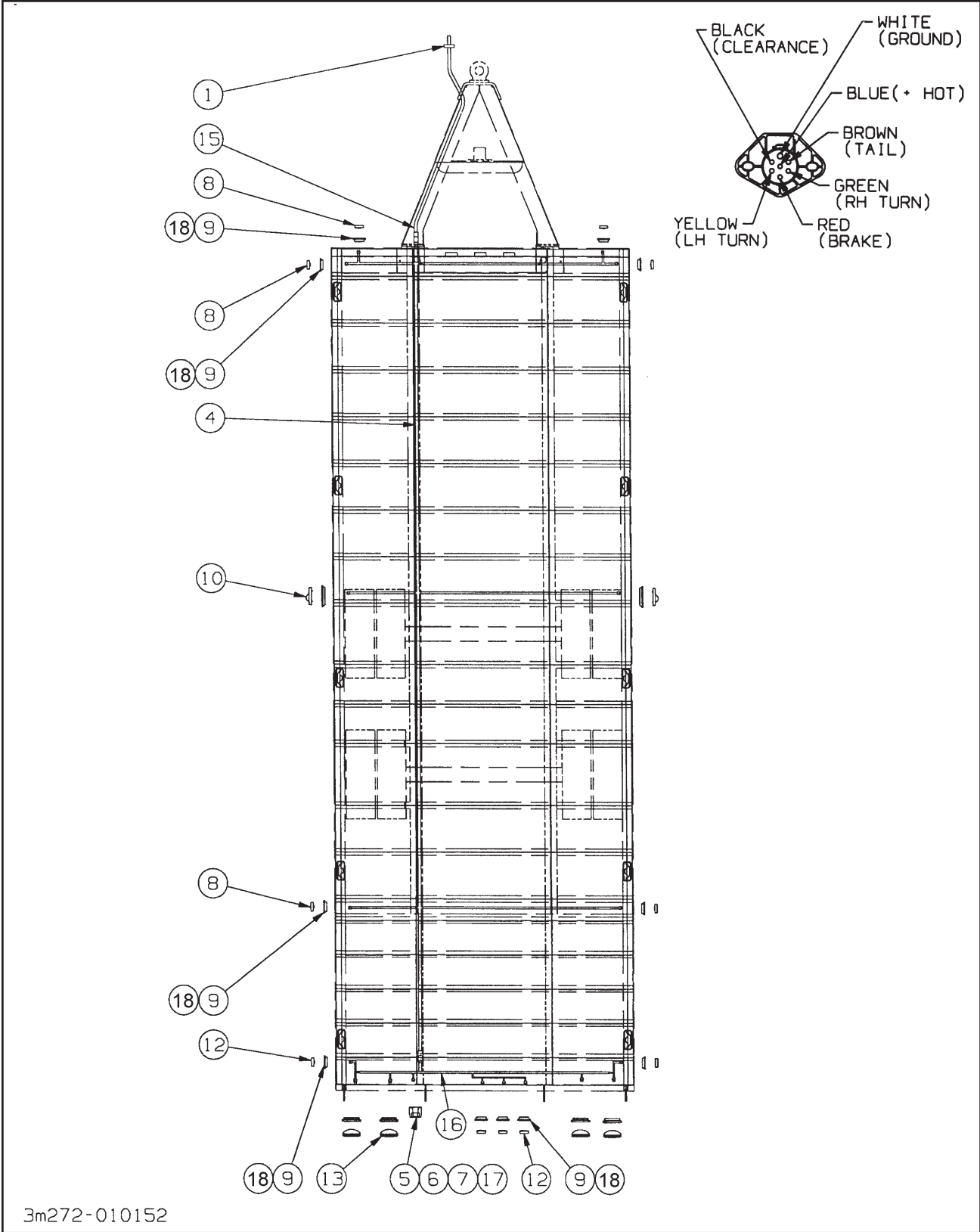


Figure 1-13 Electrical Assembly w/ Air Brake System

## **ELECTRICAL ASSEMBLY W/ AIR BRAKE SYSTEM**

<b>ITEM</b>	<b>PART NO.</b>	<b>DESCRIPTION</b>	<b>QTY.</b>
	3-272-010152	STD ELECTRICAL SYSTEM - PINTLE W/ AIR BRAKE	
	100818	STD ELECTRICAL SYSTEM - G/N W/ AIR BRAKE	
1	59P8	RECEPTACLE 7 PIN W/ GUARD	1
2	1-796-010003-02	TYTON STRAP (NOT SHOWN)	20
4	104315	HARNESS MAIN ABS	1
5	1-656-010003051	SCREW ROUND HEAD MACH 10-24X3/4	2
6	15009	LICENSE LAMP	1
7	1-512-010007-03	NUT HEX 10-24	2
8	10205Y	REFLECTOR LAMP YELLOW	6
9	10404	GROMMET MOUNT 3 IN	11
10	60015Y	LIGHT TURN AND CLEARANCE	2
12	10205R	REFLECTOR LAMP RED	5
13	40002R	LIGHT 4 IN STOP TURNTAIL	4
15	104313	HARNESS FRONT G/N W/ AIR BRAKE ABS	1
	104314	HARNESS FRONT 20T ABS	1
16	3-368-010266	HARNESS REAR 20T	1
17	1-861-010034-07	WASHER SPLIT LOCK #10	2

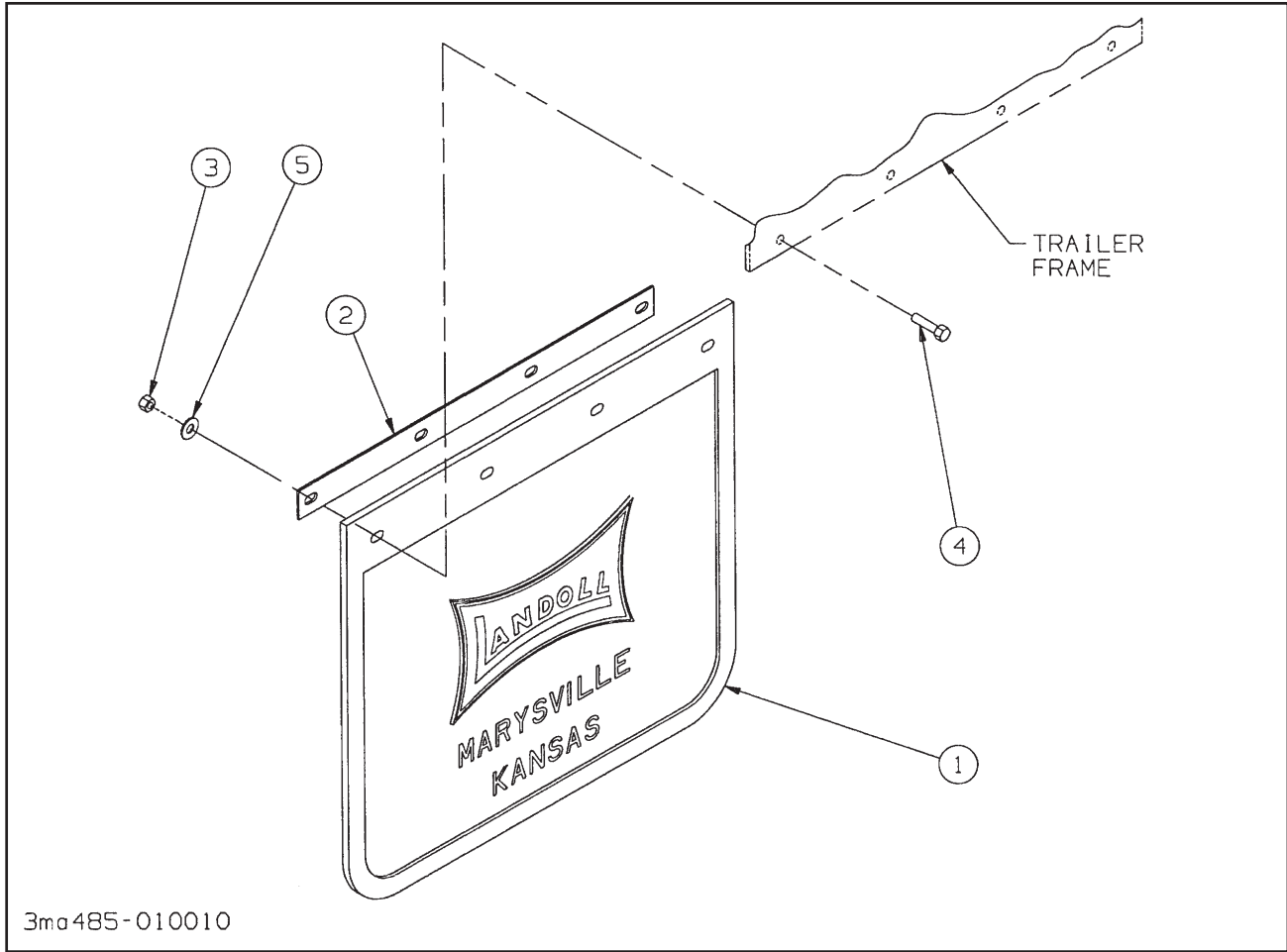
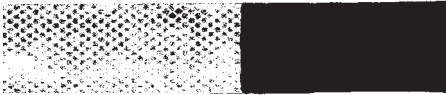


Figure 1-14 Mud Flap Assembly

## MUD FLAP ASSEMBLY

ITEM	PAGE NO.	DESCRIPTION	QTY.
	3-485-010010	MUD FLAP ASSEMBLY	
1	3-485-010001	FLAP MUD 21IN	2
2	3-762-010017	CLAMP MUD FLAP	2
3	1-510-010001	NUT, FLANGE LOCK 3/8-16 GRB	8
4	1-654-010051-07	SCREW HEX HEAD CAP 3/8-16X1-1/2 GR5	8
5	1-861-010032-11	WASHER FLAT 3/8W	8



1



2



3

MODEL

4

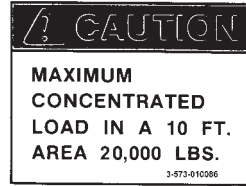
L2024

5

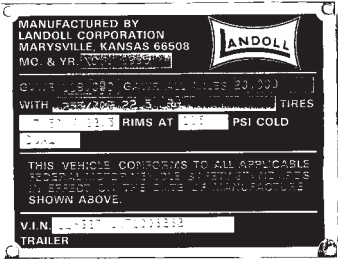
LANDOLL®

6

HAULLOLL®



8

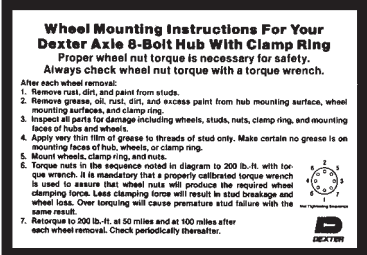


9

HD  
L2424

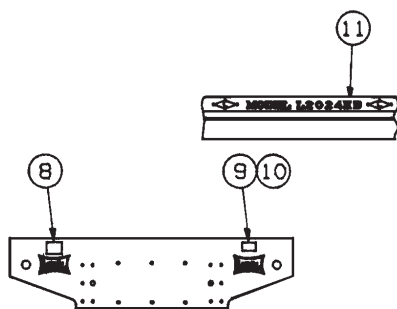
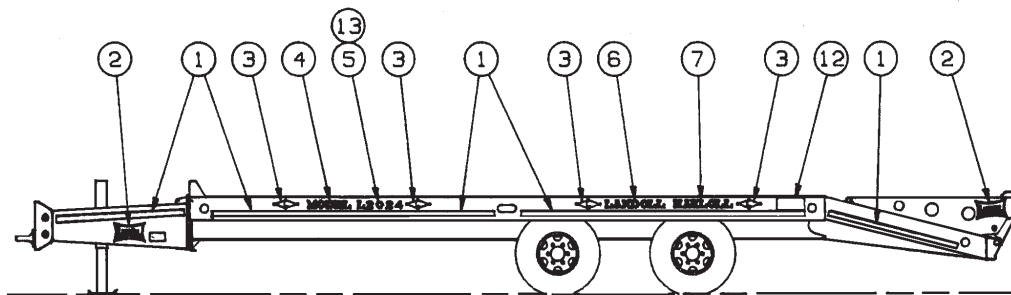
11

13

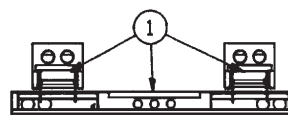


12

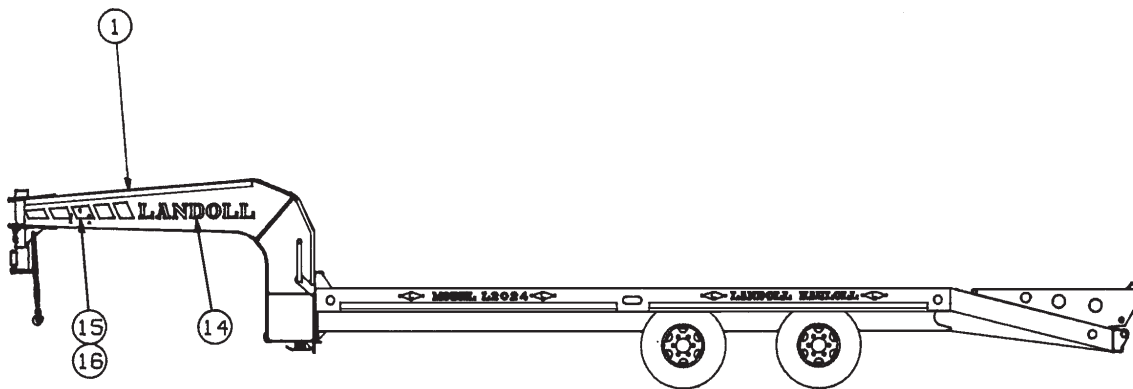
Figure 1-15 Decals



FRONT VIEW



REAR VIEW



3m573-010483

Figure 1-16 Decal Installation

## DECAL INSTALLATION

ITEM	PART NO.	DESCRIPTION	QTY.
	104862	DECAL INSTALLATION L2024 (BLACK)	
	104863	DECAL INSTALLATION L2024 (WHITE)	
	103459	DECAL INSTALLATION L2024HD (BLACK)	
	103460	DECAL INSTALLATION L2024HD (WHITE)	
	103461	DECAL INSTALLATION L2424 (BLACK)	
	103462	DECAL INSTALLATION L2424 (WHITE)	
1	3-573-010377	DECAL - 2" REFLEXITE TAPE, (RD/WHT)	41FT
2	1-573-010476	DECAL -BOW TIE (BLACK)	2
	1-573-010480	DECAL -BOW TIE (WHITE)	2
3	1-573-010475	DECAL - L (BLACK)	8
	1-573-010479	DECAL - L (WHITE)	8
4	1-573-010472	DECAL -MODEL (BLACK)	2
	100782	DECAL -MODEL (WHITE)	2
5	1-573-010473	DECAL -L2024 (BLACK)	*2,2,--
	100789	DECAL -L2024 (WHITE)	*2,2,--
6	1-573-010477	DECAL -LANDOLL (BLACK)	2
	1-573-010481	DECAL -LANDOLL (WHITE)	2
7	1-573-010478	DECAL -HAULOLL (BLACK)	2
	1-573-010482	DECAL -HAULOLL (WHITE)	2
8	3-573-010086	DECAL -CONCEN LOAD 20,000 LBS.	2
9	104584	IDENTIFICATION PLATE	1
10	10036	FASTENER SERIAL NUMBER PLATE	4
11	1-573-010488	DECAL-HD (BLACK)	*--,2,--
	100795	DECAL-HD (WHITE)	*--,2,--
12	059-160-00	TORQUE SPECIFICATION (PART OF 3-042-010146-02)	2
13	1-573-010487	DECAL-L2424 (BLACK)	*--,--,2
	100788	DECAL-L2424 (WHITE)	*--,--,2

\* THE FIRST QUANTITY LISTED IS FOR L2024 MODELS, THE SECOND QUANTITY LISTED IS FOR L2024HD MODELS, AND THE THIRD QUANTITY LISTED IS FOR L2424 MODELS.

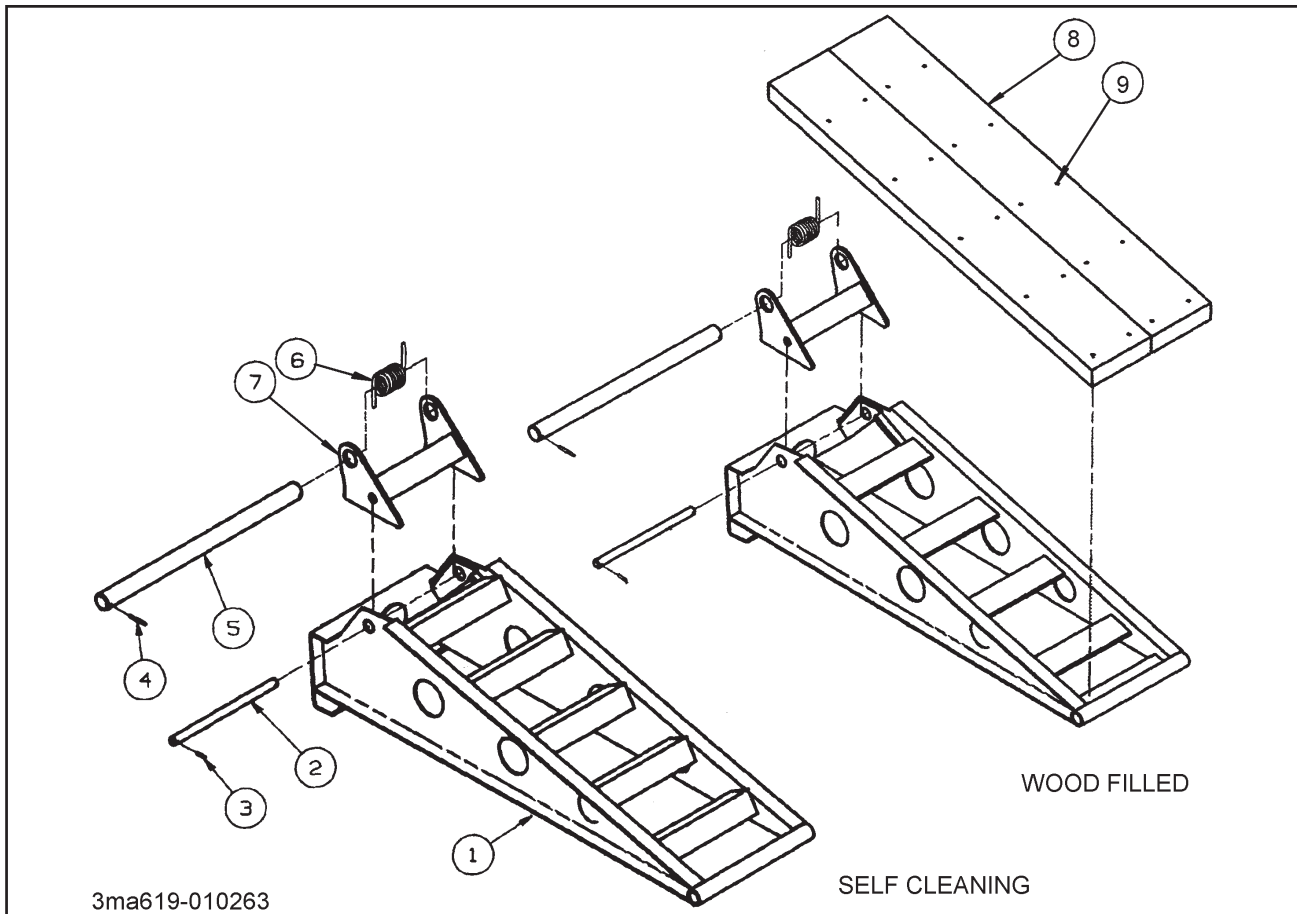
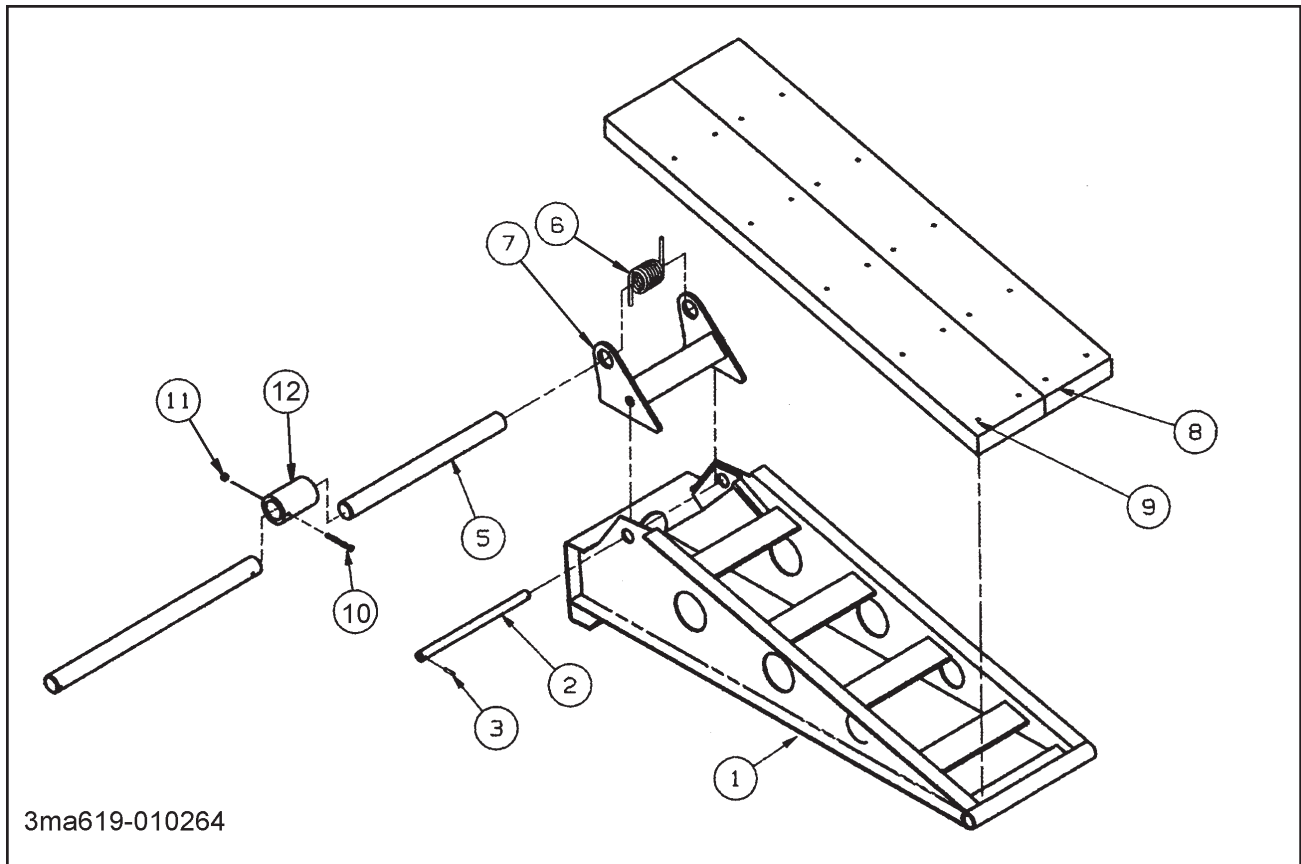


Figure 1-17 Ramp Assembly

## RAMP ASSEMBLY

ITEM	PART NO.	DESCRIPTION	QTY.
	3-619-010260	RAMP ASSEMBLY W/ PINS & SPRINGS (ITEMS 1-7)	
	3-619-010263-02	RAMP ASSEMBLY WOOD FILLED - APITONG	
	3-619-010263-03	RAMP ASSEMBLY WOOD FILLED - FIR	
1	3-619-010258	RAMP WELDMENT TAG	
	3-619-010262	RAMP WELDMENT WOOD FILLED AND CENTER	
2	3-557-010542	PIN RAMP 1 IN	
3	1-647-010004255	PIN SPRING SLOTTED 2 X 3/8	
4	1-647-010004259	PIN SPRING SLOTTED 3 X 3/8	
5	3-557-010541	PIN RAMP 2"	
6	3-720-010084	SPRING TORSION TAG RAMP	
7	3-619-010259	RAMP PIVOT BRACKET WELDMENT	
8	RWD34999	APITONG, 1-1/2 X 7-3/4	
	RWD39013	FIR, 2 X 10	
9	3-654-010129-1	SCREW TORQUE 5/16 X 3	

\* ITEMS 8 & 9 ARE USED ONLY WITH P/N'S 3-619-010263-02 AND 3-619-010263-03



3ma619-010264

Figure 1-18 Ramp Assembly - Center (Option)

### RAMP ASSEMBLY - CENTER (OPTION)

ITEM	PART NO.	DESCRIPTION	QTY.
	107214	RAMP ASSEMBLY SELF CLEAN	
	3-619-010264-02	RAMP ASSEMBLY CENTER - APITONG	
1	3-619-010258	RAMP WELDMENT	1
	3-619-010262	RAMP WELDMENT WOOD FILLED	1
2	3-557-010542	PIN RAMP 1 IN	1
3	1-647-010004255	PIN SPRING SLOTTED 2 X 3/8	2
5	3-557-010547	PIN RAMP 2"	1
6	3-720-010084	SPRING TORSION TAG RAMP	1
7	3-619-010259	RAMP PIVOT BRACKET WELDMENT	1
8	RWD34999	APITONG, 1-1/2 X 7-3/4	AR
9	3-654-010129-1	SCREW TORQUE 5/16 X 3	40
10	1-654-010049-15	SCREW, HEX HEAD CAP 5/16-18 X 3-1/2	2
11	1-512-010005-03	NUT, HEX LOCK 5/16-18	2
12	3-220-010030	COUPLER THIRD RAMP	2

\* ITEMS 8 & 9 ARE USED ONLY WITH P/N 3-619-010264-02

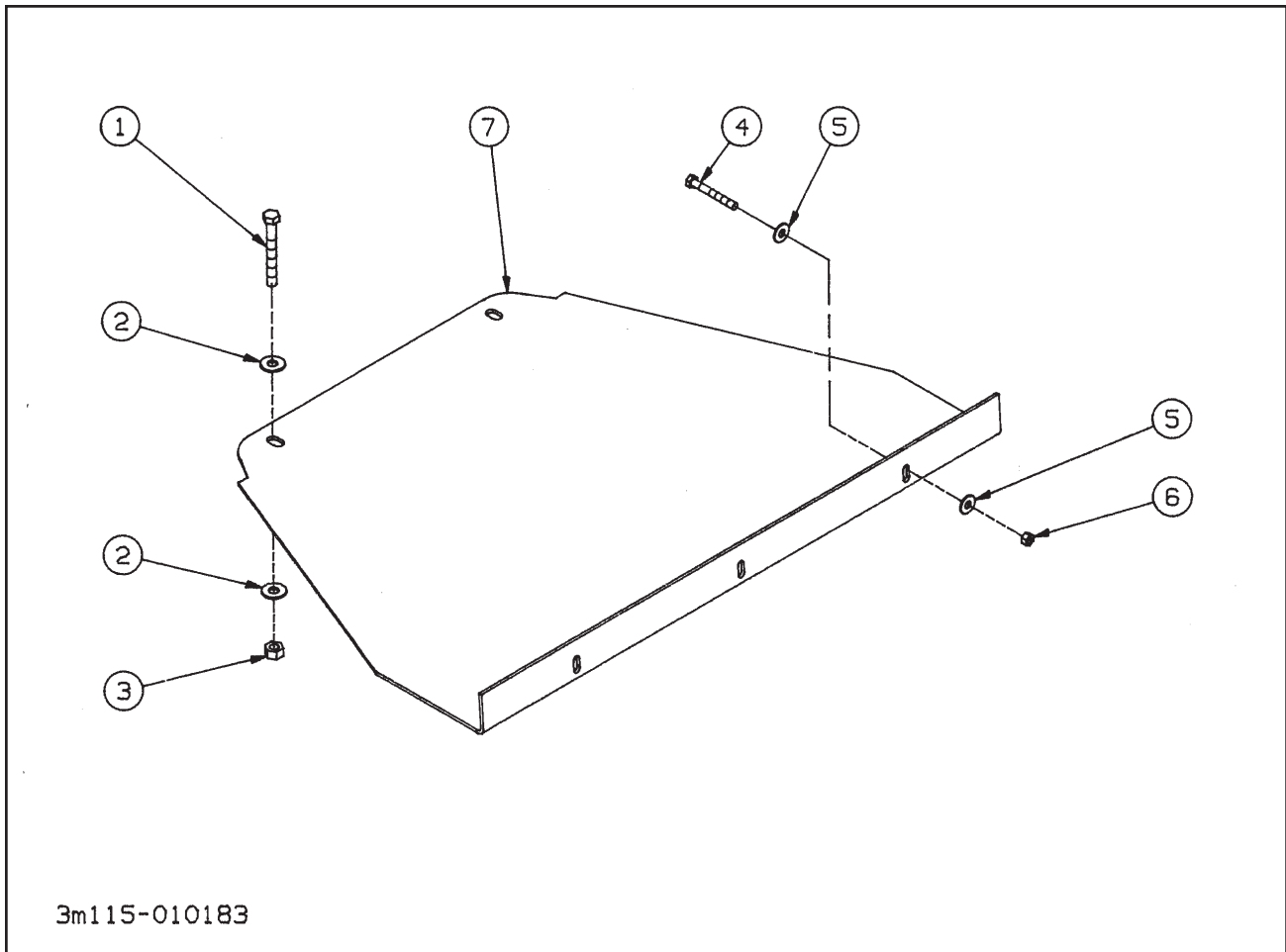


Figure 1-19 Toolbox Bottom Assembly

### TOOLBOX BOTTOM ASSEMBLY (OPTION)

ITEM	PART NO.	DESCRIPTION	QTY.
	3-115-010178	TOOLBOX BOTTOM ASSEMBLY	1
1	1-654-010055-03	SCREW, HEX HEAD CAP 1/2-13 X 1-1/2 GR5	2
2	1-861-010032-15	WASHER, FLAT 1/2W	4
3	1-512-010005-09	NUT, HEX LOCK 1/2-13 GRB	2
4	1-654-010051-06	SCREW, HEX HEAD CAP 3/8-16X1-1/4 GR5	3
5	1-861-010032-11	WASHER, FLAT 3/8W	6
6	1-512-010005-05	NUT, HEX LOCK 3/8-16 GRB	3
7	3-115-010177	TOOLBOX BOTTOM 10T	1

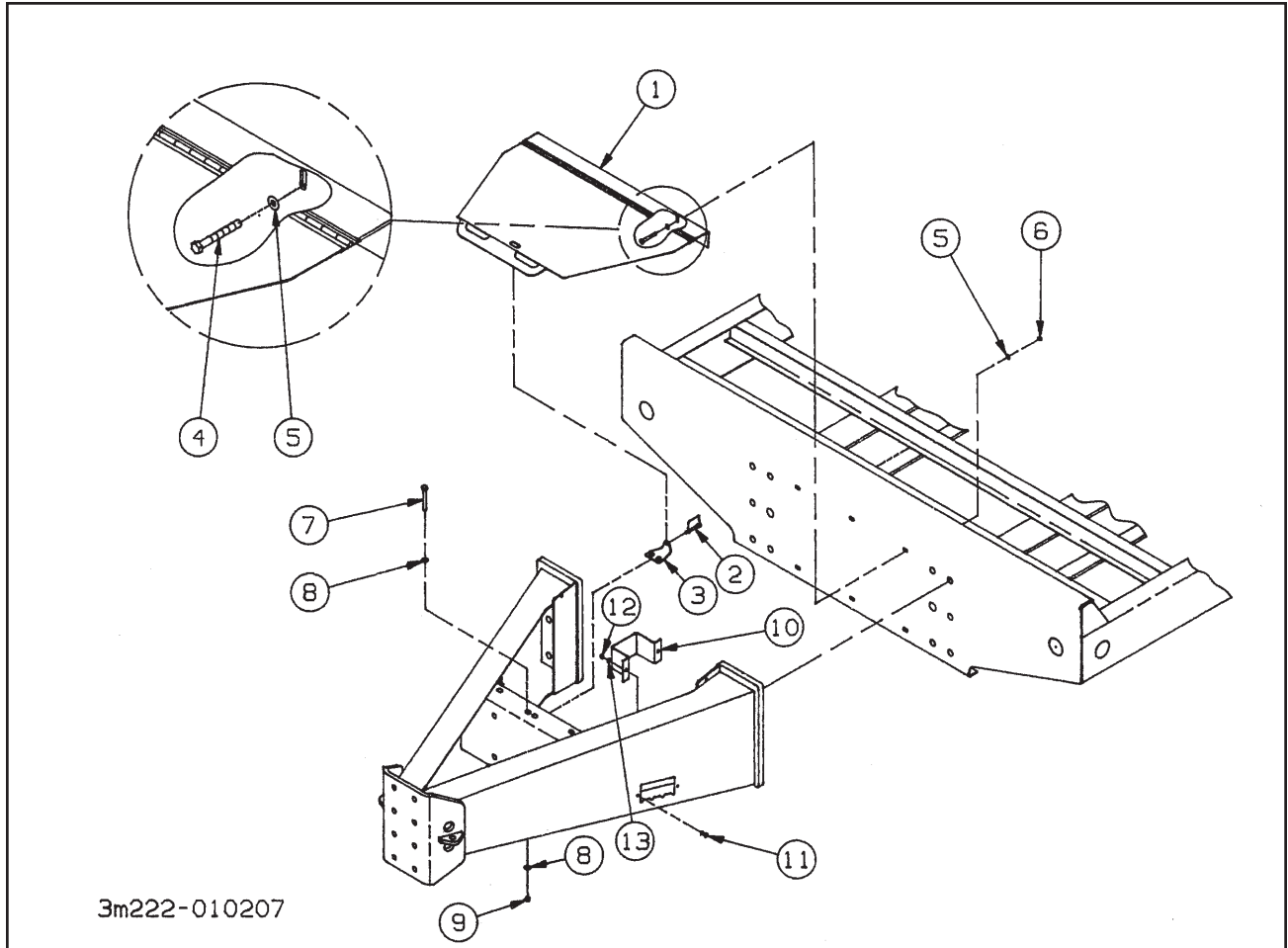
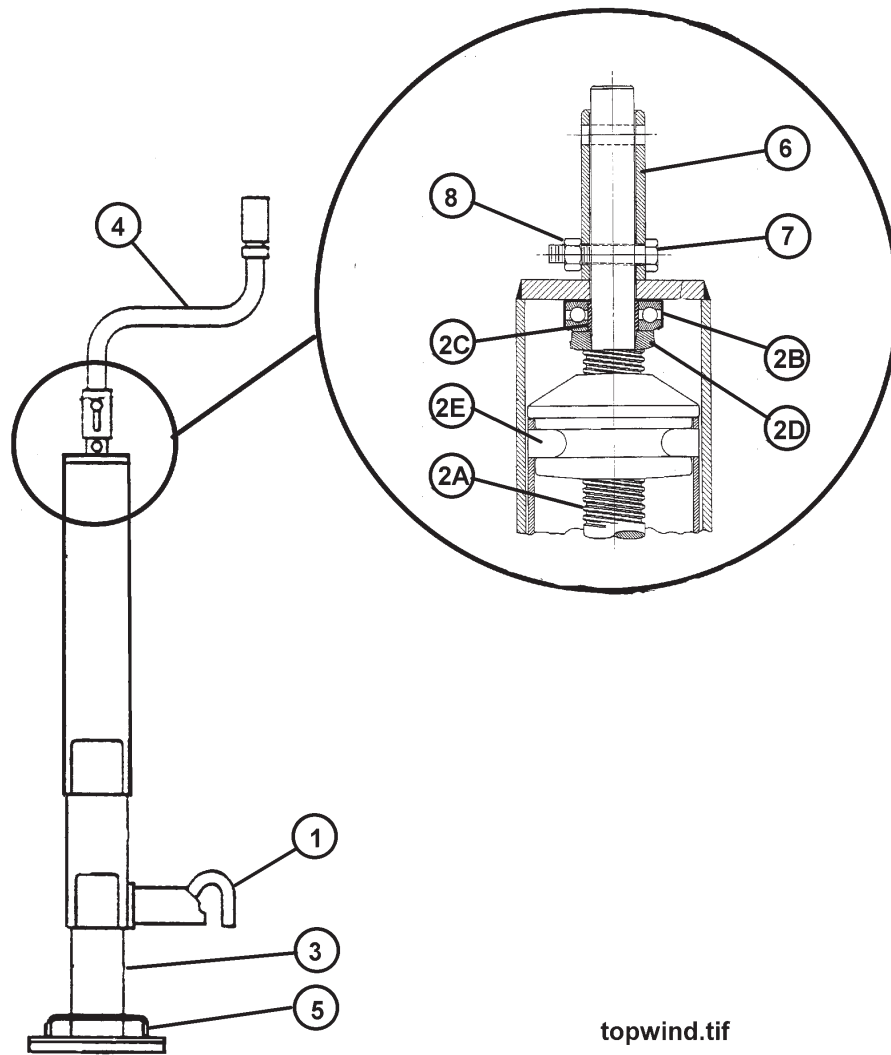


Figure 1-20 Toolbox Compartment Cover Assembly

### TOOL COMPARTMENT COVER ASSEMBLY (OPTION)

ITEM	PART NO.	DESCRIPTION	QTY.
	3-222-010207	COVER, ASSEMBLY TOOL COMPARTMENT 10T	
1	3-222-010206	COVER, WELDMENT TOOL COMPARTMENT	1
2	516-22PTL	RETAINING PIN, MUD FLAP	1
3	3-120-010498	BRACKET LID LOCK TAG	1
4	1-654-010051-06	SCREW, HEX HEAD CAP 3/8-16X1-1/4 GR5	4
5	1-861-010032-11	WASHER, FLAT 3/8W	6
6	1-512-010005-05	NUT, HEX LOCK 3/8-16 GRB	3
7	1-654-010055-03	SCREW, HEX HEAD CAP 1/2-13X1 GR5	2
8	1-861-010032-15	WASHER, FLAT 1/2W	4
9	1-512-010005-09	NUT, HEX LOCK 1/2-13 GRB	2
10	3-681-010125	SHIELD FOOT STEP (OPTION)	2
11	1-654-010158-1	SCREW, RD HD SQ NECK 1/4-20X3/4	4
12	1-512-010007-05	NUT, HEX 1/4-20	4
13	1-861-010034-09	WASHER, SPLIT LOCK 1/4	4

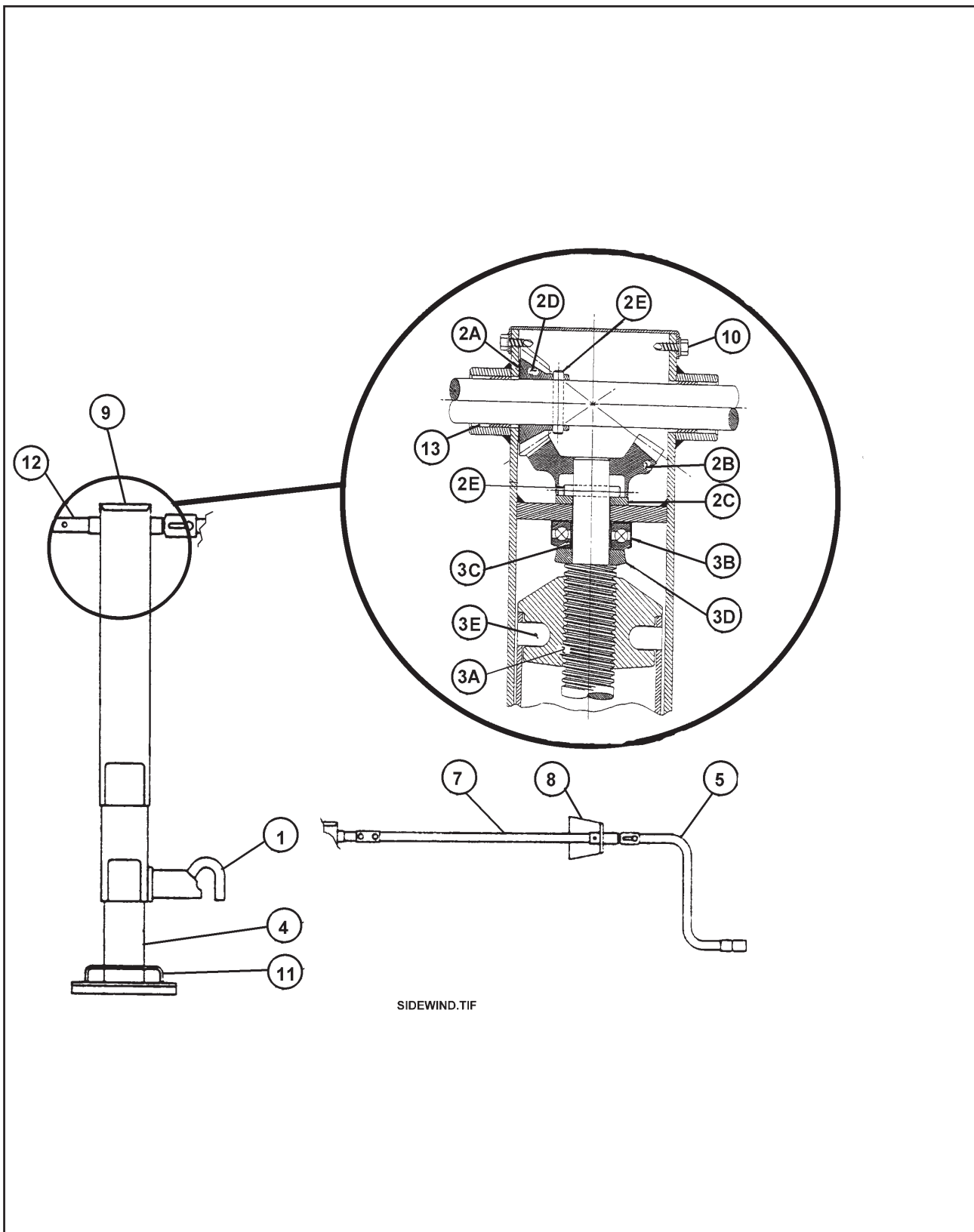


topwind.tif

Figure 1-21 Jackstand Assembly (Pintle Hitch)

## **JACKSTAND ASSEMBLY (PINTLE HITCH)**

<b>ITEM</b>	<b>PART NO.</b>	<b>DESCRIPTION</b>	<b>QTY.</b>
	3-423-010038	JACK 12K DROPLEG TOPWIND W/ CRANK (HAMMERBLOW P/N 182304)	
1	500177	PLUNGER KIT, W/ "J" PIN (INCLUDES PLUNGER PIN, SPRING, WASHER, AND 3/16 X 1 COTTER PIN)	1
2	500220	SCREW, NUT, AND BEARING KIT CONSISTS OF THE FOLLOWING:	1
2A	-----	SCREW AND NUT ASSEMBLY	1
2B	-----	2.015" O.D. BEARING	1
2C	-----	SPLIT BUSHING	1
2D	-----	BEARING SEAT	1
2E	-----	RETAINING PIN	2
3	701178	INNER RAM AND STANDARD DROP LEG ASSEMBLY (INCLUDES DROP LEG W/ BASE AND LIFT HANDLE, INNER RAM W/ NEW CAM-LOCK HSNQ AND "J" PIN)	1
4	800075	CRANK ASSEMBLY, HARDWARE INCLUDED	1
	-----	CRANK HANDLE	1
	-----	3/8" X 2-1/2" PLATED HEX BOLT	1
	-----	3/8" PLATED LOCKNUT	1
	-----	3/8" PLATED WASHER	2
5	021040	BASE PLATE LIFT HANDLE	1
6	004011	LONG END COLLAR	1
7	002080	3/8 X 2 PLATED HEX BOLT	1
8	008008	3/8 PLATED LOCKNUT	1



SIDEWIND.TIF

Figure 1-22 Jackstand Assembly (Gooseneck Hitch)

## JACKSTAND ASSEMBLY (GOOSENECK HITCH)

ITEM	PART NO.	DESCRIPTION	QTY.
	3-423-010035	JACK 12000 DROPLEG W/ CRANK (HAMMERBLOW P/.N 182400)	
1	500177	PLUNGER KIT, W/ "J" PIN (INCLUDES PLUNGER PIN, SPRING, WASHER, AND 3/16 X 1 COTTER PIN)	1
2	500212	GEAR KIT, STYLE III JACKS CONSISTS OF THE FOLLOWING:	1
	----	WEAR PLATE 22 GAUGE	1
	----	BEVEL GEAR LARGE 18 TEETH	1
	----	WEAR PLATE 7 GAUGE	1
	----	BEVEL PINION GEAR SMALL 12 TEETH	1
	----	1/4 X 1-1/2" GROOVE PIN	2
	----	SERVICE BULLETIN	1
3	500213	SCREW AND NUT REPLACEMENT KIT CONSISTS OF THE FOLLOWING:	1
	----	SCREW AND NUT ASSEMBLY	1
	----	2.015" O.D. BEARING	1
	----	SPLIT BUSHING	1
	----	BEARING SEAT	1
	----	RETAINING PIN	2
	----	SERVICE BULLETIN	1
4	701178	INNER RAM AND STANDARD DROP LEG ASSEMBLY (INCLUDES DROP LEG W/ BASE AND LEFT HANDLE, INNER RAM W/ NEW CAM-LOCK HOUSING AND "J" PIN)	1
5	015181	CRANK ASSEMBLY FOR SIDEWIND SIDE MOUNT CONSISTS OF THE FOLLOWING:	1
	----	CRANK HANDLE NARROW VERT CLEVIS W/ RD CORN.	1
	----	3/8" X 2-1/2" PLATED HEX BOLT	1
	----	3/8" PLATED LOCKNUT	1
	----	3/8" PLATED WASHER	2
6	005120	HANDLE CLIP (NOT SHOWN)	1
7	3-831-010178	TUBE WELDMENT, HANDLE EXTENSION	REF
8	3-565-011865	PLATE HANDLE BRACE	REF
9	017802	SQUARE GEARBOX COVER	1
10	017806	COVER SCREW	2
11	021040	BASE PLATE LIFT HANDLE	1
12	006098	NEW STYLE (CENTERED) CROSS SHAFT, STYLE III	1
13	017012	SLEEVE BEARING ON CROSS SHAFT	2

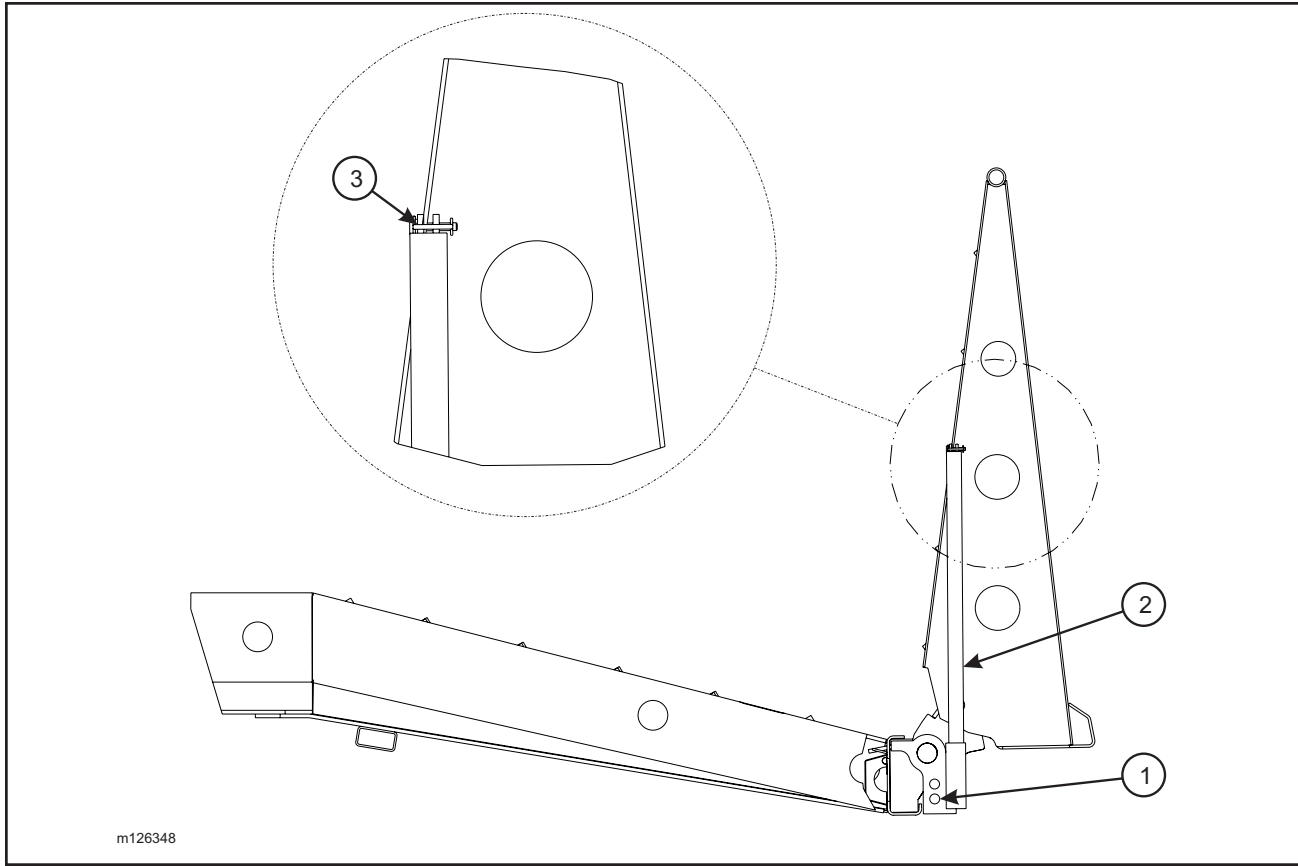


Figure 1-23 Anchor Ramp Upright Assembly

## ANCHOR RAMP UPRIGHT ASSEMBLY

ITEM	PART NO.	DESCRIPTION	QTY.
	126348	ANCHOR RAMP UPRIGHT ASSEMBLY	
1	126347	ANCHOR WELDMENT RAMP UPRIGHT	1
2	126344	STOP WELDMENT RAMP UPRIGHT	1
3	111859	PIN, ROUND LOCKING 5/16 X 1-1/2	1

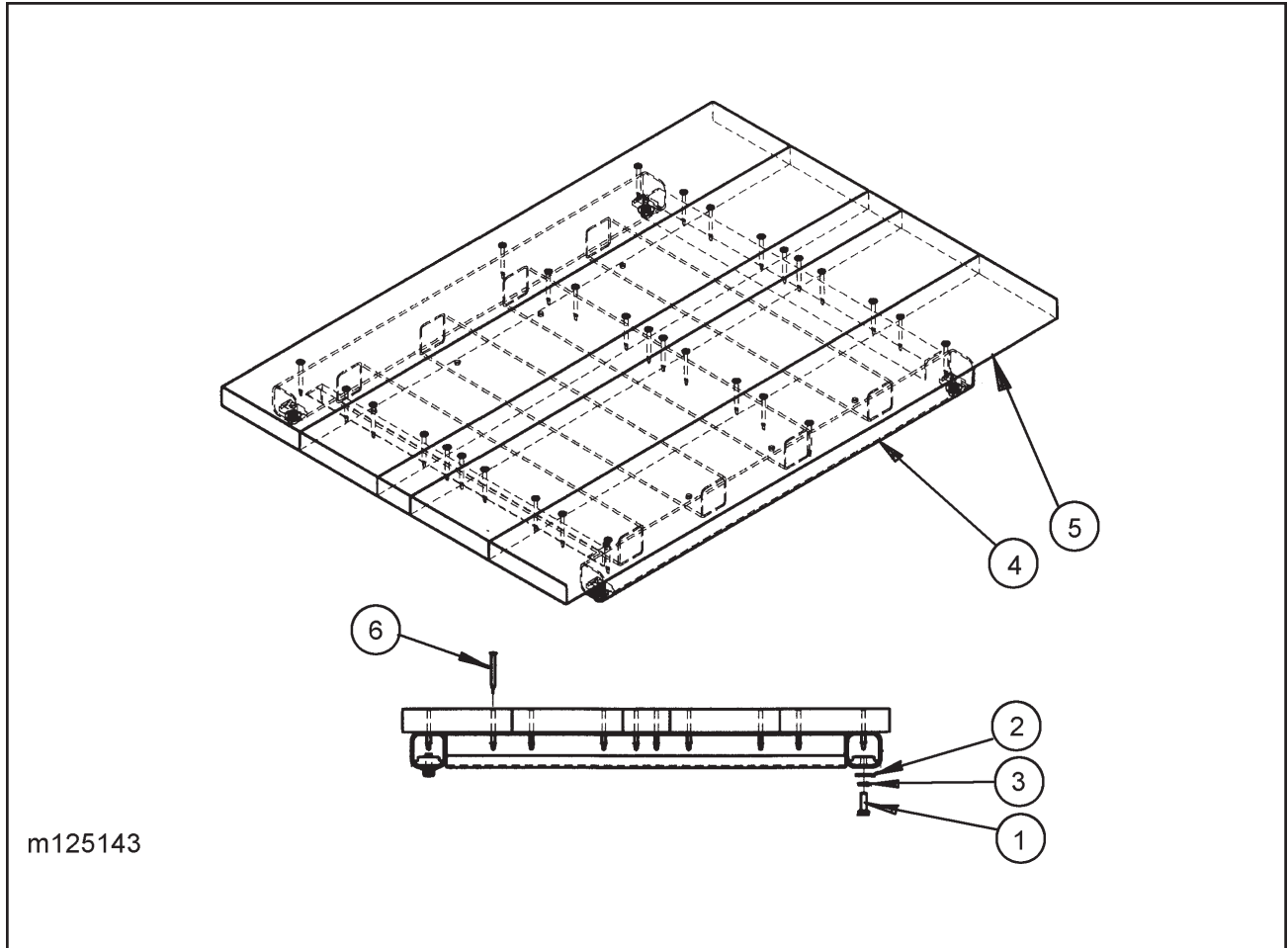


Figure 1-24 Beavertail Filler Assembly

## BEAVERTAIL FILLER INSTALLATION

ITEM	PART NO.	DESCRIPTION	QTY.
	124164	BEAVERTAIL FILLER INSTALLATION (ITEMS 1-4)	
	125144	BEAVERTAIL FILLER INSTALLATION W/ FIR	
	125145	BEAVERTAIL FILLER INSTALLATION W/ APITONG	
1	1-654-010055-03	SCREW, HEX HEAD CAP 1/2-13 X 1-1/2 GR5	4
2	1-861-010032-15	WASHER, FLAT 1/2W	4
3	1-861-010034-13	WASHER, SPLIT LOCK 1/2	4
4	124154	FILLER WELDMENT BEAVERTAIL	1
5	RWD39013	FIR, 2 X 10	AR
	RWD39000	APITONG, 1-3/8 X 7.08	AR
6	6-654-010129-1	SCREW, TORQUE 5/16 X 3	AR

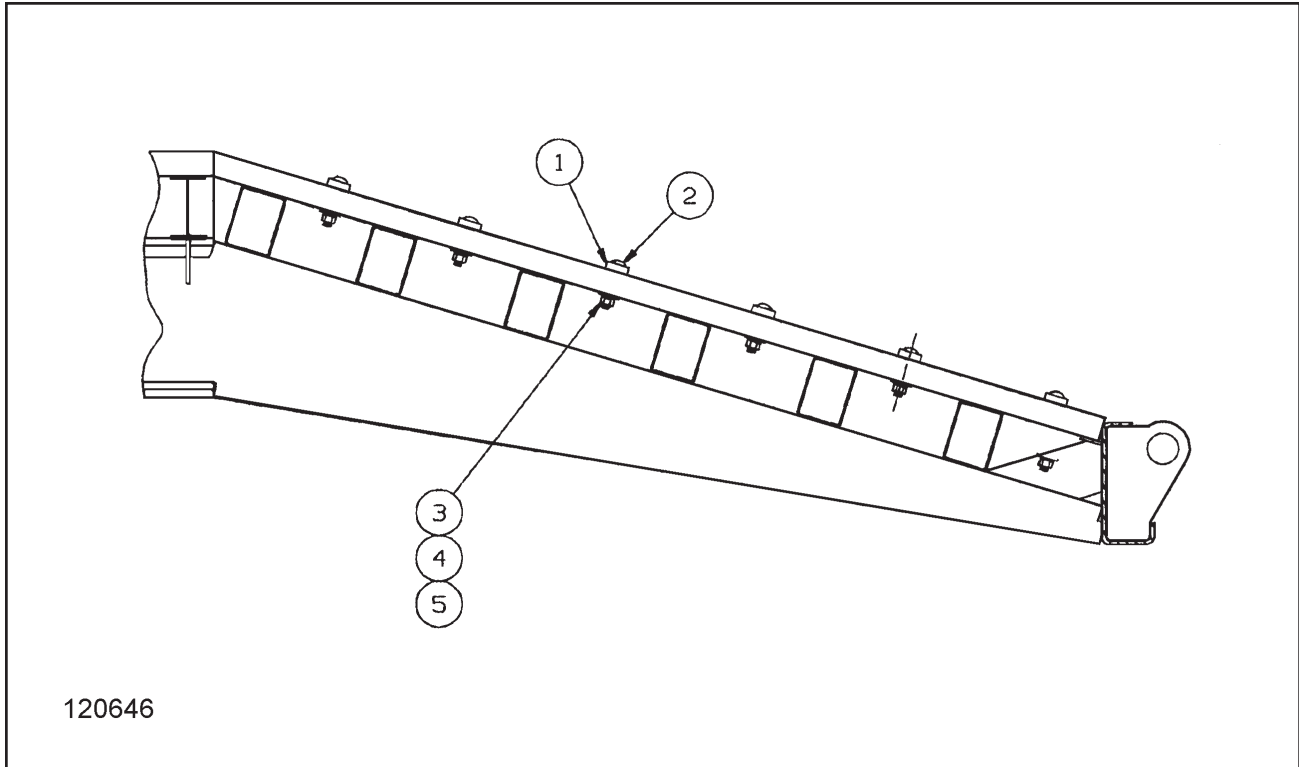


Figure 1-25 Traction Bar Installation

## TRACTION BAR INSTALLATION

ITEM	PART NO.	DESCRIPTION	QTY.
	124163	TRACTION BAR INSTALLATION	
1	124162	TRACTION BAR L20	12
2	1-654-010070-09	SCREW, RD HEAD SQ NECK 1/2-13 X 3	36
3	1-861-010032-15	WASHER, FLAT 1/2 W	36
4	1-861-010034-13	WASHER, SPLIT LOCK 1/2	36
5	1-512-010007-09	NUT, HEX 1/2-13	36

# NUMERICAL INDEX

<b>PART</b>	<b>PAGE</b>	<b>PART</b>	<b>PAGE</b>	<b>PART</b>	<b>PAGE</b>
002080	35	101535	09	111959	15
004011	35	101536	09	111960	15
005-074-00	11	101851	21	111961	15
005-075-00	11	101855	21	111962	15
005-079-00	11	10205R	23	111963	15
005120	37	10205R	25	111964	15
006098	37	10205Y	23	111965	15
006-099-00	11	10205Y	25	111966	15
007-139-00	11	103459	29	111967	15
008008	35	103460	29	111968	15
010-052-00	11	103461	29	113819	11
014-056-00	11	103462	29	113820	11
014-058-00	11	103689	09	113821	11
015181	07	103690	09	113822	11
015181	37	103861	21	113823	11
017012	37	10403	19	113835	15
017802	37	10404	23	113838	15
017806	37	10404	25	113840	15
021040	35	104313	25	114586	19
021040	37	104314	25	114586	21
034-031-00	11	104315	25	114587	19
034-032-00	11	104393	19	114588	21
034-048-00	11	104584	29	114590	21
034-188-03	11	104862	29	1-203-010040-5	23
034-189-03	11	104863	29	122814	07
059-160-00	29	105-0094	05	122816	07
069-020-00	11	105-0094	07	122817	07
069-078-00	11	107214	31	123597	07
1/2X3/8BUSH	17	108801	17	123712	07
1/2X3/8BUSH	19	108801	19	123738	07
10036	17	108802	17	124154	39
10036	19	108802	19	124162	40
10036	29	111859	38	124163	40
100782	29	111933	13	124164	39
100788	29	111934	13	125144	39
100789	29	111948	15	125145	39
100795	29	111952	15	125242	09
100818	25	111953	15	125253	09
101003	17	111954	15	126344	38
101410	13	111955	15	126347	38
101416	13	111956	15	126348	38

<b>PART</b>	<b>PAGE</b>	<b>PART</b>	<b>PAGE</b>	<b>PART</b>	<b>PAGE</b>
128550	11	144975	11	1-512-010005-05	07
1-297-010008-18	19	144976	11	1-512-010005-05	17
1-297-010008-20	17	144977	11	1-512-010005-05	19
1-297-010008-20	19	144978	11	1-512-010005-05	32
1-297-010008-23	17	144979	11	1-512-010005-05	33
1-297-010008-24	19	144980	11	1-512-010005-09	32
1-297-010010-06	17	144981	11	1-512-010005-09	33
1-297-010013-12	17	144982	11	1-512-010005-15	05
1-297-010013-12	19	144983	13	1-512-010006-08	05
1-297-010015-07	17	144984	13	1-512-010007-03	17
1-297-010015-07	19	144985	13	1-512-010007-03	23
1-297-010022-03	17	144986	13	1-512-010007-03	25
1-297-010022-03	19	144987	13	1-512-010007-05	19
1-297-010033-03	19	144988	13	1-512-010007-05	33
130511	05	144989	13	1-512-010007-09	40
130511	07	144990	13	152636	15
131062	09	144991	13	1-560-010002-02	17
131063	09	144992	13	1-560-010002-04	19
131064	09	144993	13	1-560-010002-05	19
131070	15	144994	13	1-573-010472	29
132135	09	144995	13	1-573-010473	29
1-384-010038084	19	144996	13	1-573-010475	29
1-384-010380076	17	144997	13	1-573-010476	29
1-384-010380076	19	144998	13	1-573-010477	29
1385	05	144999	13	1-573-010478	29
139281	09	145000	13	1-573-010479	29
139282	09	145001	13	1-573-010480	29
139283	09	145002	13	1-573-010481	29
139284	09	145003	13	1-573-010482	29
139284	09	145004	13	1-573-010487	29
139285	09	145005	13	1-573-010488	29
139286	09	145006	13	1-647-010004255	30
140259	09	145007	13	1-647-010004255	31
140260	09	145008	13	1-647-010004259	30
141931	11	145009	15	1-654-010032-05	07
143237	09	145010	15	1-654-010032-09	07
143260	09	145011	13	1-654-010047-06	19
143261	09	15009	23	1-654-010049-15	31
143262	09	15009	25	1-654-010051-06	07
143263	09	1-510-010001	26	1-654-010051-06	32
143264	09	1-512-010002-15	07	1-654-010051-06	33
144973	11	1-512-010004-03	07	1-654-010051-07	17
144974	11	1-512-010005-03	31	1-654-010051-07	19

<b>PART</b>	<b>PAGE</b>	<b>PART</b>	<b>PAGE</b>	<b>PART</b>	<b>PAGE</b>
1-654-010051-07	26	1-861-010034-13	39	3-336-010060	07
1-654-010051-10	07	1-861-010034-13	40	3-368-010251	23
1-654-010055-03	32	1-861-010034-17	05	3-368-010262	23
1-654-010055-03	33	1-879-010010	23	3-368-010263	23
1-654-010055-03	39	1-879-010011	23	3-368-010266	25
1-654-010061-07	05	2083-8-8S	19	3-368-010275	23
1-654-010061-09	05	239-9076-1	17	3-375-010597	05
1-654-010070-09	40	2552	17	3-375-010599	05
1-654-010100026	07	2552	23	3-375-010609-02	07
1-654-010100071	07	3/4X1/2BUSH	19	3-375-010610-01	07
1-654-010158-1	33	3-042-010146-02	09	3-382-010019	05
1-656-010003051	17	31053	23	3-382-010019	07
1-656-010003051	23	3-115-010177	32	3-384-010020	17
1-656-010003051	25	3-115-010178	32	3-384-010020	19
1-656-010003055	23	3-120-010498	33	3-384-010022	19
1-796-010003-01	19	3-128-010002	17	3-423-010035	37
1-796-010003-02	23	3-128-010002	19	3-423-010038	35
1-796-010003-02	25	3-128-010032	23	3-423-010039	05
1-822-010003	07	3-128-010035	17	3-423-010042	07
1-833-010002	17	3-128-010036	23	3-443-010020	07
1-833-010002	19	3-174-010018036	05	3-446-010046	19
1-833-010003	17	3-174-010018036	07	3-485-010001	26
1-833-010003	19	3-174-010042	05	3-485-010010	26
1-861-010032-03	07	3-174-010042	07	3-557-010541	30
1-861-010032-03	23	3-187-010019	07	3-557-010542	30
1-861-010032-11	07	3-201-010002	23	3-557-010542	31
1-861-010032-11	17	3-203-010026	23	3-557-010547	31
1-861-010032-11	19	3-220-010030	31	3-565-011865	07
1-861-010032-11	26	3-222-010206	33	3-565-011865	37
1-861-010032-11	32	3-222-010207	33	3-573-010086	29
1-861-010032-11	33	3-222-010219	07	3-573-010377	29
1-861-010032-15	32	3-272-010021	23	3-619-010258	30
1-861-010032-15	33	3-272-010150-01	23	3-619-010258	31
1-861-010032-15	39	3-272-010150-02	23	3-619-010259	30
1-861-010032-15	40	3-272-010152	25	3-619-010259	31
1-861-010032-20	05	3-304-010078	03	3-619-010260	30
1-861-010032-20	07	3-304-010078-01	03	3-619-010262	30
1-861-010032-21	05	3-304-010079-01	03	3-619-010262	31
1-861-010032-21	07	3-304-010080-02	03	3-619-010263-02	30
1-861-010034-07	23	3-311-016250	01	3-619-010263-03	30
1-861-010034-07	25	3-311-016250-01	01	3-619-010264-02	31
1-861-010034-09	19	3-311-016268	01	3-654-010129-1	03
1-861-010034-09	33	3-311-016268-01	01	3-654-010129-1	30

<b>PART</b>	<b>PAGE</b>	<b>PART</b>	<b>PAGE</b>
3-654-010129-1	31	805-2	17
3-659-010013	07	805-2	19
3-681-010125	33	F-203-____	05
3-711-010123003	07	K71-460-00	11
3-711-010123006	07	RWD34999	30
3-720-010084	30	RWD34999	31
3-720-010084	31	RWD39000	03
3-762-010017	26	RWD39000	39
3-780-010002	19	RWD39013	03
3-780-010011	17	RWD39013	30
3-780-010012	17	RWD39013	39
3-798-010116	09	TR416	09
3-798-010117	09	TR416	09
3-831-010178	07		
3-831-010178	37		
3-870-010096	09		
40002R	23		
40002R	25		
500177	35		
500177	37		
500212	37		
500213	37		
500220	35		
516-22PTL	07		
516-22PTL	33		
55B61	17		
55B61-6	17		
55B61-6	19		
55B61-7	17		
55B61-7	19		
56D4	19		
59P8	25		
60015Y	23		
60015Y	25		
65113	23		
65115	23		
65117	23		
6-654-010129-1	39		
701178	35		
701178	37		
758-181	17		
758-181	19		
800075	35		