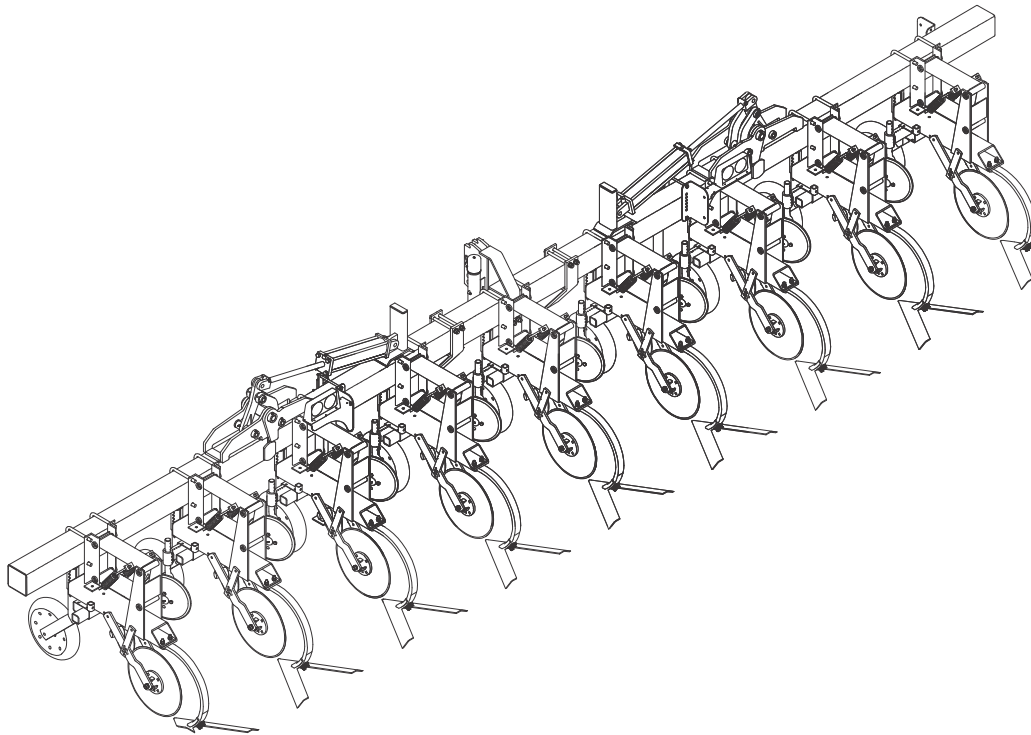




# Model 2000 Series Row Crop Cultivator Parts Manual



## **LANDOLL CORPORATION**

1900 North Street  
Marysville, Kansas 66508  
(785) 562-5381

800-428-5655 ~ [WWW.LANDOLL.COM](http://WWW.LANDOLL.COM)



# Table of Contents

---

## 1 Illustrated Parts List

<b>Instructions For Ordering Parts</b> . . . . .	<b>1-1</b>
Row Unit Kit Options . . . . .	1-2
Brackets, Frame Bar, & Hitch Assembly . . . . .	1-3
Tool Frame Mount Assembly . . . . .	1-4
Tool Bar . . . . .	1-6
Gauge Wheel Assembly - Steel Outer . . . . .	1-8
Gauge Wheel Assembly - Steel Middle . . . . .	1-9
Coulter Blade Assembly . . . . .	1-10
Shank Assembly . . . . .	1-12
Disc Hiller Assembly . . . . .	1-14
Ridger, Anhydrous Knife, & Fertilizer Tube . . . . .	1-16
Shield Items . . . . .	1-18
Spray Nozzle Mount Items . . . . .	1-19
Electrical Assembly . . . . .	1-20
Hydraulic Assembly . . . . .	1-22
Hydraulic Cylinder - 3-1/2 X 20 . . . . .	1-24
Hydraulic Cylinder - 4 X 20 . . . . .	1-25
Decal Installation . . . . .	1-26
Nurse Tank Hitch Assembly Items . . . . .	1-28
Lift Assist Wheel Items . . . . .	1-30



# Illustrated Parts List

## Instructions For Ordering Parts

**ORDER PARTS FROM LANDOLL PARTS DISTRIBUTION CENTER**

**\*\* Repair parts must be ordered through an Authorized Dealer \*\***

PHONE NO: 1-800-423-4320 OR 1-785-562-5381

FAX NO: 888-527-3909

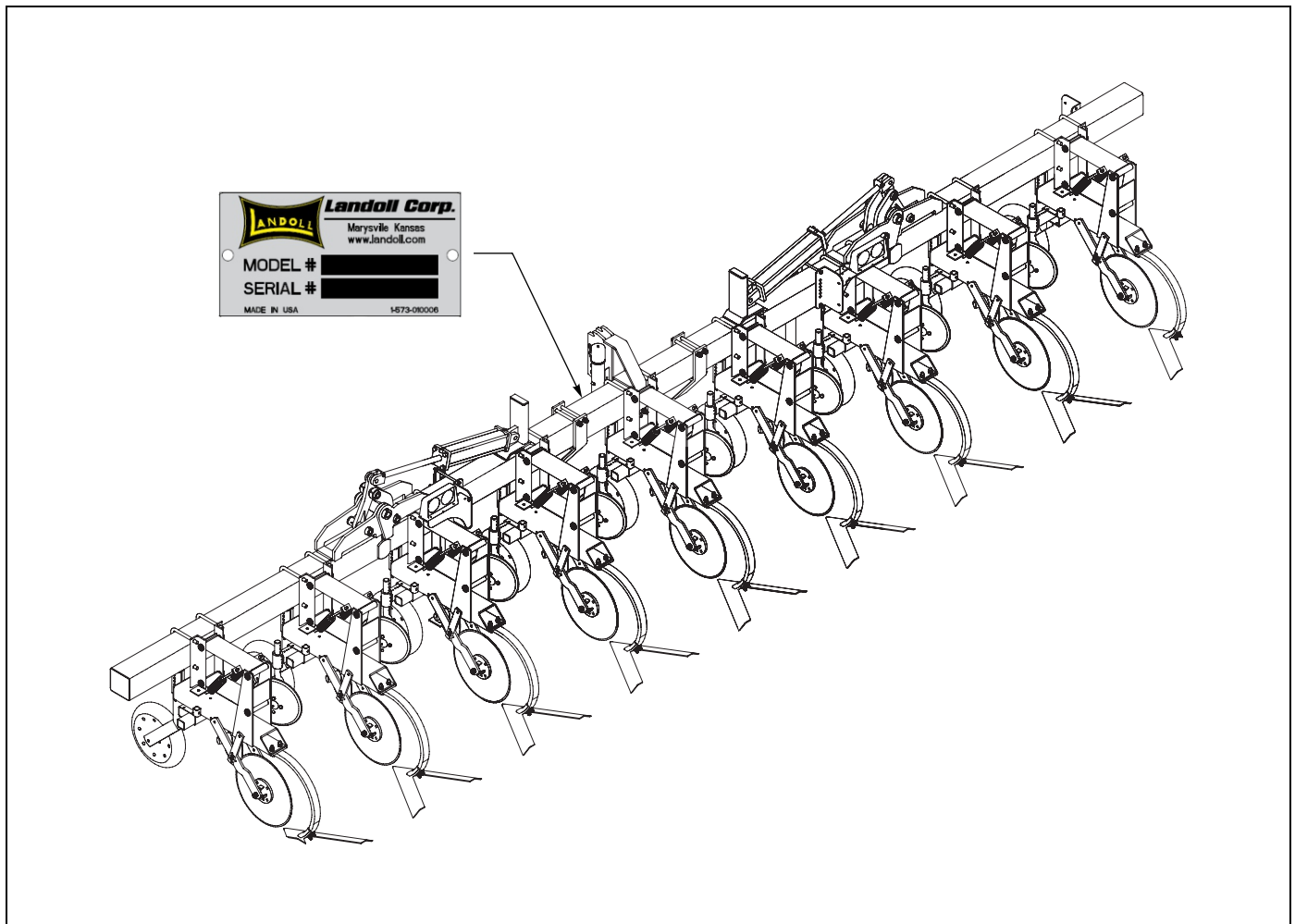
ORDER ONLINE: [Dealer.landoll.com](http://Dealer.landoll.com)

### IDENTIFICATION PLATE

The identification plate, which lists the model number and serial number, is located on the front of the frame. (See Figure 1-1.)

### SERIAL NUMBER NOMENCLATURE

The serial number for the 2000B Series Row Crop Cultivator is located on the identification plate.



**Figure 1-1: Identification Plate and Location**

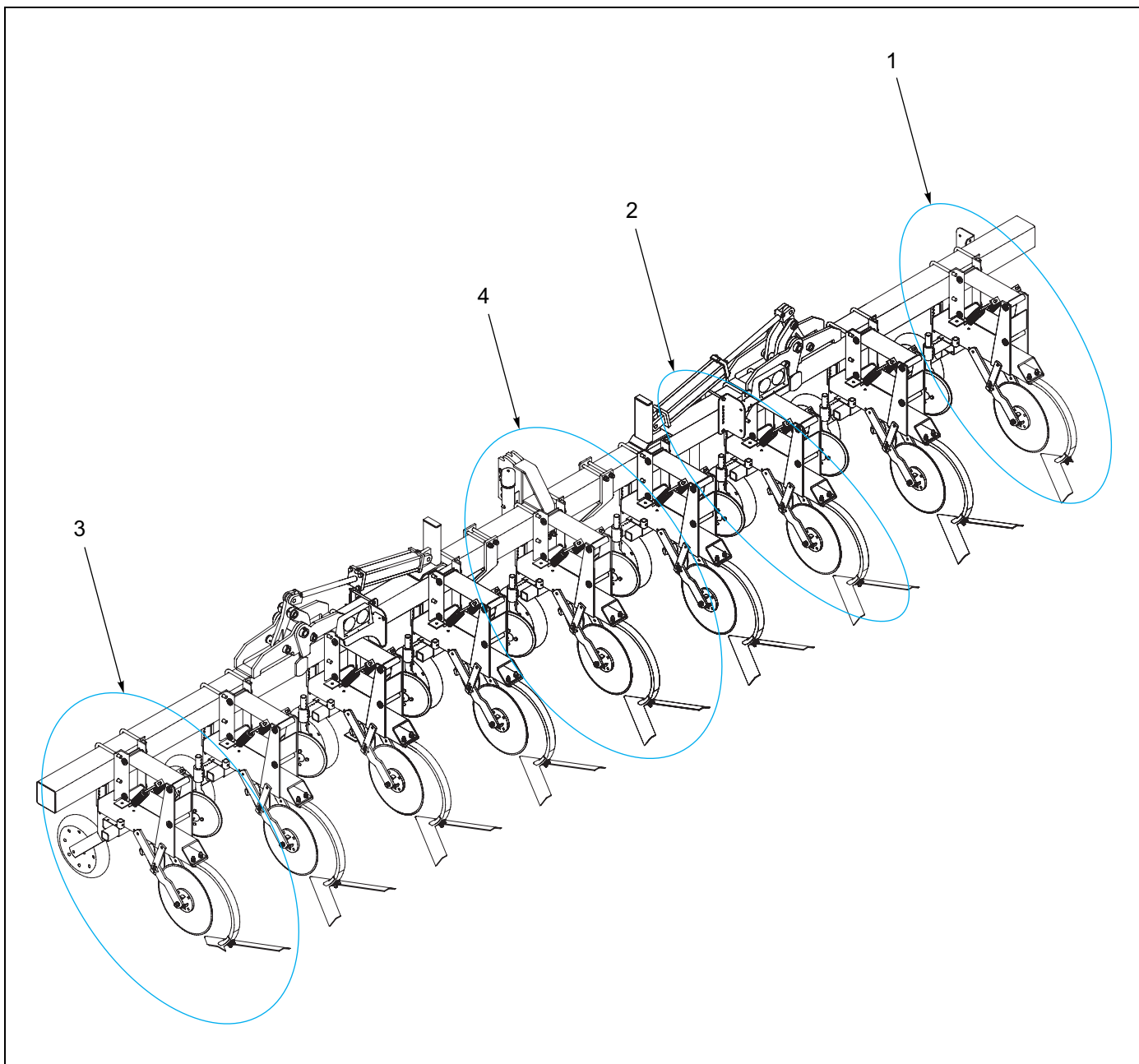


Figure 1-2: Row Unit Kit Options

## Row Unit Kit Options

ITEM	PART NO.	DESCRIPTION	QTY.
1	166980	ROW UNIT W/ OUTER GAUGE WHEEL (SEE PAGES 1-4, 1-8, 1-10, & 1-12 FOR ASSEMBLIES INCLUDED IN KIT)	
2	166981	ROW UNIT W/ INNER GAUGE WHEEL (SEE PAGES 1-4, 1-9, 1-10, & 1-12 FOR ASSEMBLIES INCLUDED IN KIT)	
3	166982	ROW UNIT, WEED, W/ OUTER GAUGE WHEEL (SEE PAGES 1-4, 1-8, 1-10, 1-12, & 1-14 FOR ASSEMBLIES INCLUDED IN KIT)	
4	166983	ROW UNIT, WEED, W/ INNER GAUGE WHEEL (SEE PAGES 1-4, 1-9, 1-10, 1-12, & 1-14 FOR ASSEMBLIES INCLUDED IN KIT)	

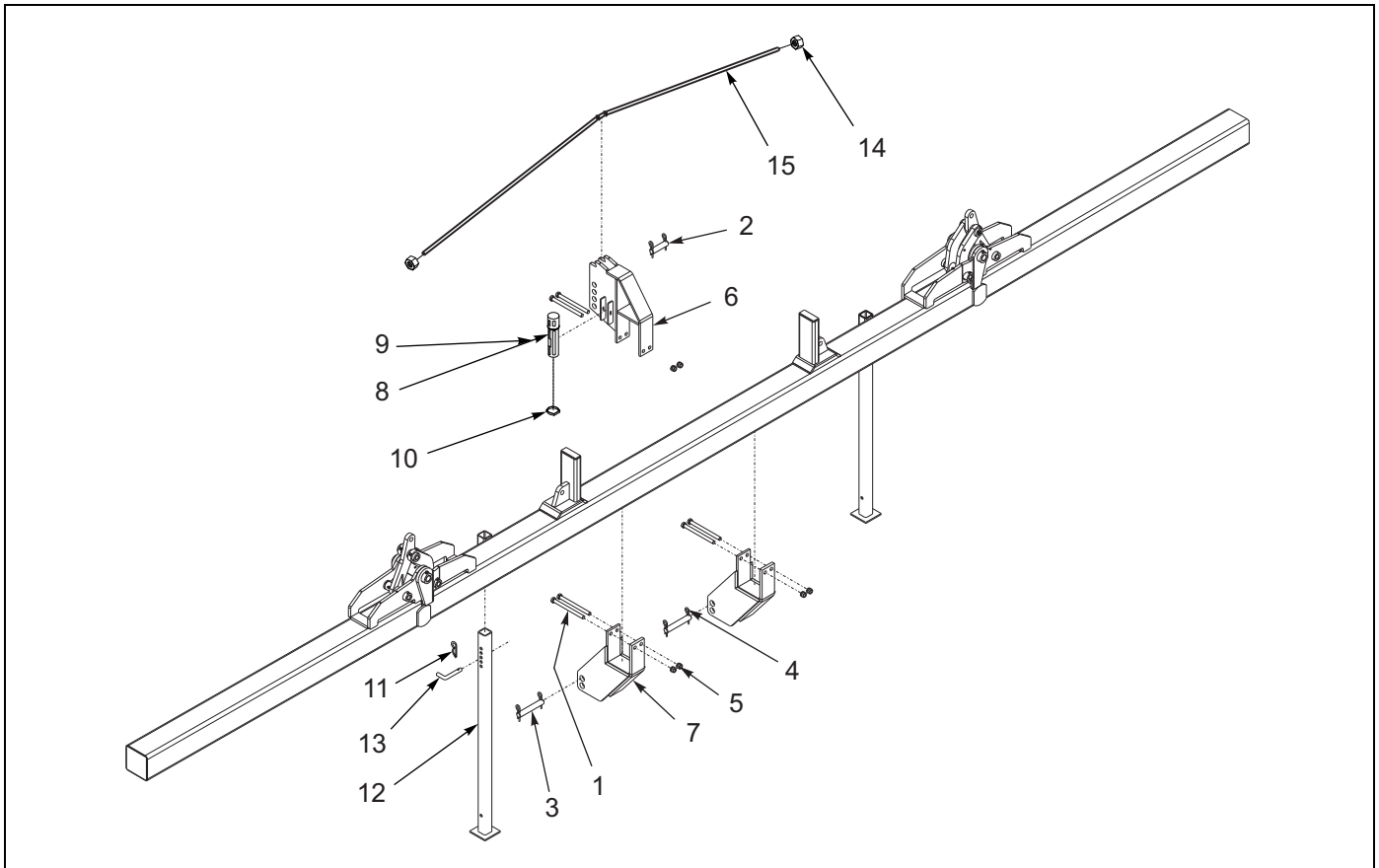


Figure 1-3: Brackets, Frame Bar, & Hitch Assembly

## Brackets, Frame Bar, & Hitch Assembly

ITEM	PART NO.	DESCRIPTION	QTY.
1	104436	SCREW, HEX HEAD CAP 3/4-10X9-1/2 GR5	6
2	6-557-010163	PIN, MAST CAT II	1
2	2-557-010389	PIN, MAST CAT III	1
3	2-557-010232	PIN, LOWER HITCH CAT II	2
3	2-557-010315	PIN, LOWER HITCH CAT III	2
4	1-557-010014	PIN, HAIR 1/4"	6
5	1-512-010005-15	NUT, HEX LOCK 3/4-10 GRB	7
6	2-120-010186	BRACKET, MAST CAT II HIGH CLEARANCE	1
6	2-120-010418	BRACKET, MAST CAT III HIGH CLEARANCE	1
7	2-120-010187	BRACKET, LOWER HITCH CAT II HIGH CLEARANCE	2
7	2-120-010417	BRACKET, LOWER HITCH CAT III HIGH CLEARANCE	2
8	1-116-010019	BOX, MANUAL STORAGE	1
9	F-140	MANUAL, 2000B OPERATOR'S (NOT SHOWN)	1
10	105-0093	HOSE CLAMP	1
11	1-557-010013	PIN, HAIR 3/16 (FOLD MODELS ONLY)	2
12	2-423-010034	JACK STAND WELDMENT H.C. (FOLD MODELS ONLY)	2
13	8-557-010095	PIN RIGID GAUGE WHEEL (FOLD MODELS ONLY)	2
14	1-512-010005-19	NUT, HEX LOCK 1-8 GRB (2012-36HCF-94)	4
15	2-642-010114	ROD, TRUSS (2012-36HCF-94)	1
15	2-642-010187	ROD, TRUSS (2012-38HCF-94)	1
15	2-642-010113	ROD, TRUSS (2012-40HCF-94 & 2016-30HCF-94)	1

**NOTE:** ITEMS 8-25 ARE INCLUDED IN ROW UNIT KIT OPTIONS (P/N'S 166980, 166981, 166982, & 166983) ON PAGE 1-2.

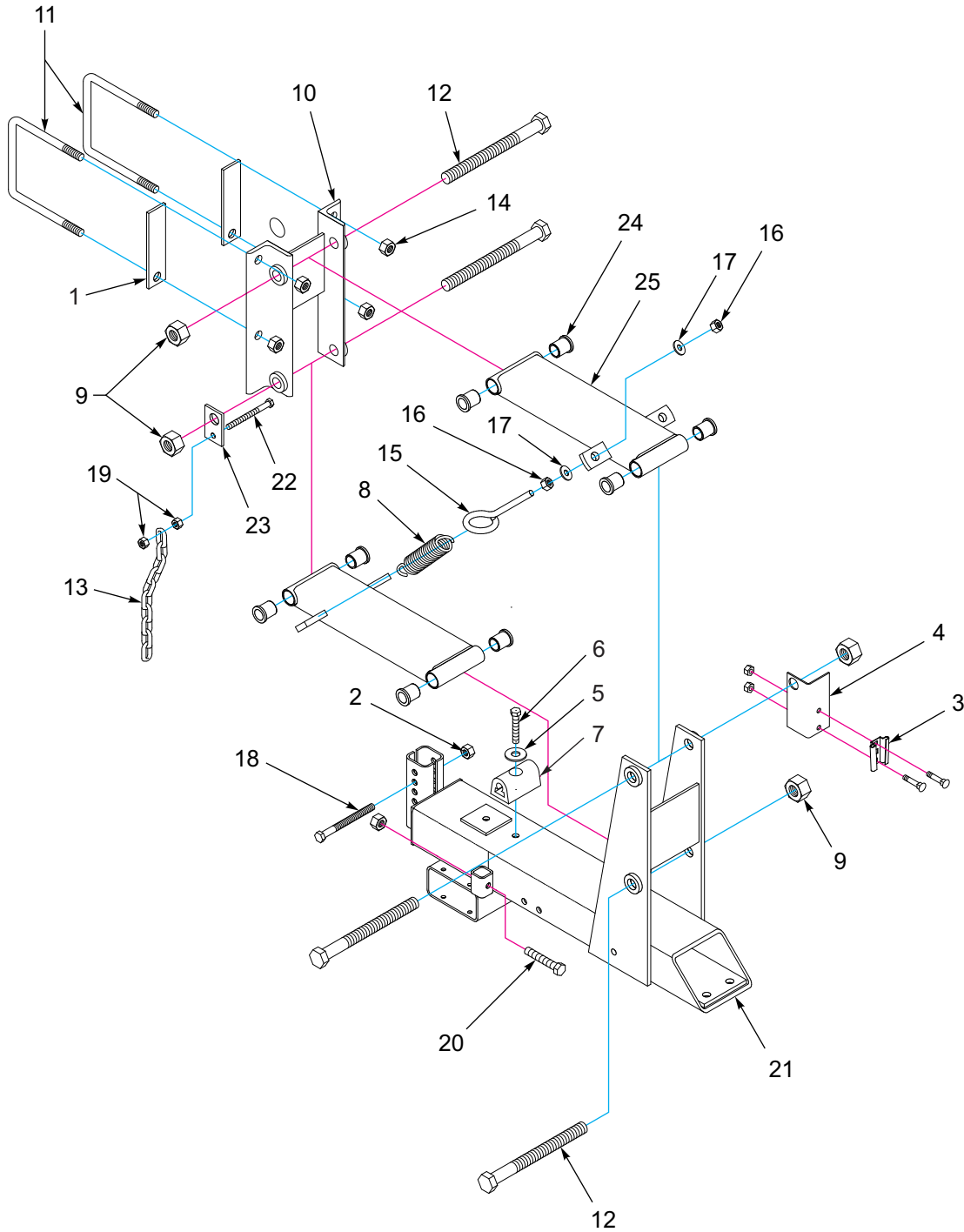


Figure 1-4: Tool Frame Mount Assembly



## Tool Frame Mount Assembly

ITEM	PART NO.	DESCRIPTION	QTY.
1	2-711-010098	SPACER, ROW UNIT 2000 <b>(FOLD MODELS ONLY)</b>	
2	1-510-010003-09	NUT 1/2-13 FLANGE HEAD, SERRATED	
3	112201	BRACKET, SMV	
4	2-120-010202	ANGLE, SMV MOUNTING	
5	110-7385	WASHER, FLAT 1/2 <b>(FOLD MODELS ONLY)</b>	
6	1-654-010055-01	SCREW, HEX HEAD CAP 1/2-13 X 1 GR5 <b>(FOLD MODELS ONLY)</b>	
7	2-146-010074	BUMPER, RUBBER <b>(ROW UNITS ON WINGS OF FOLD MODELS ONLY)</b>	
8	2-720-010085	SPRING, HEAVY	
9	1-512-010007-14	NUT, HEX 1-8 GR2	
10	2-482-010133	ANGLE, TOOL FRAME MOUNTING	
11	2-102-010035	U-BOLT, TOOL MOUNT	
12	1-654-010067	BOLT, PARALLEL LINKAGE	
13	2-174-010029	CHAIN, LIMIT	
14	1-512-010005-15	NUT HEX LOCK 3/4-10 GRB	
15	2-101-010003	BOLT, EYE 1/2-13 X 6	
16	1-512-010007-09	NUT, HEX 1/2-13	
17	1-861-010032-15	WASHER, FLAT 1/2	
18	1-654-010055-11	SCREW, HEX HEAD CAP 1/2-13 X 3-1/2 GR5	
19	101988	NUT, HEX LOCK 7/16-14 GRB	
20	7/16-14X2 HHCS	SCREW, HEX HEAD CAP 7/16-14X2	
21	2-311-016029	FRAME, TOOL MOUNT	
22	1-654-010053-05	SCREW, HEX HEAD CAP 7/16-14 X 1-1/2 GR5	
23	2-174-010028	END, CHAIN	
24	2-073-010012	BEARING, FLANGE	
25	2-450-010059	LINKAGE, PARALLEL, GREASELESS	

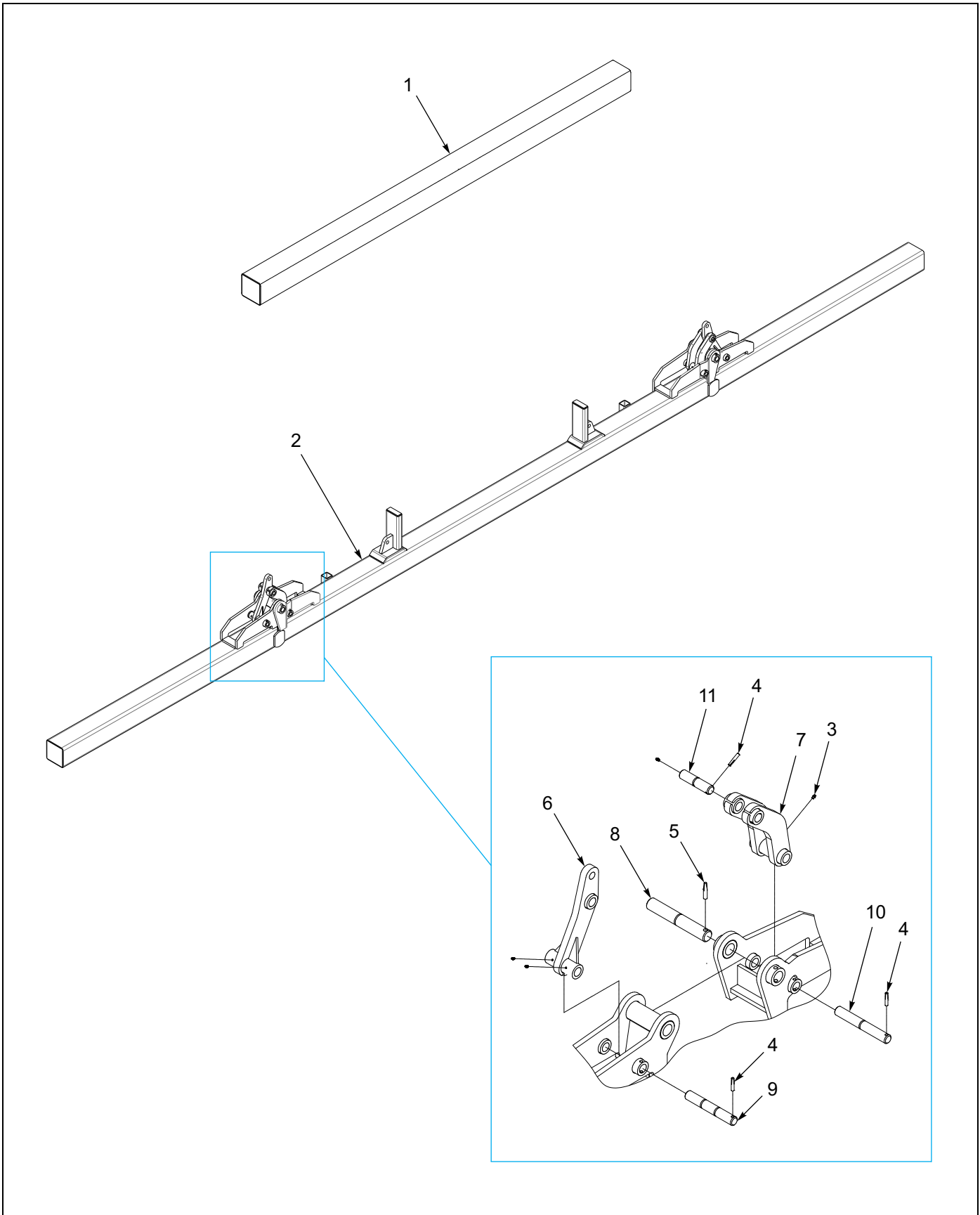


Figure 1-5: Tool Bar

## Tool Bar

ITEM	PART NO.	DESCRIPTION	QTY.
1	2-809-010016	RIGID TOOL BAR (2004-30HC-94)	
1	2-809-010007	RIGID TOOL BAR (2004-36HC-94, 2004-38HC-94)	
1	2-809-010008	RIGID TOOL BAR (2006-30HC-94)	
1	2-809-010009	RIGID TOOL BAR (2006-36HC-94, 2006-38HC-94)	
1	2-809-010010	RIGID TOOL BAR (2006-40HC-94, 2008-30HC-94)	
1	2-809-010011	RIGID TOOL BAR (2008-36HC-94, 2008-38HC-94)	
1	2-809-010046	RIGID TOOL BAR (2008-38HC-94, 2008-40HC-94)	
1	2-809-010032	RIGID TOOL BAR (2010-30HC-94)	
2	2-809-010033	FOLD TOOL BAR (2006-36HCF-94, 2006-38HCF-94)	
2	2-809-010012	FOLD TOOL BAR (2008-30HCF-94)	
2	2-809-010013	FOLD TOOL BAR (2008-36HCF-94, 2008-38HCF-94)	
2	2-809-010045	FOLD TOOL BAR (2008-38HCF-94, 2008-40HCF-94, 2010-30HCFLG-94)	
2	2-809-010044	FOLD TOOL BAR (2010-30HCF-94)	
2	2-809-010014	FOLD TOOL BAR (2012-30HCF-94)	
2	2-809-010034	FOLD TOOL BAR (2012-36HCF-94)	
2	2-809-010015	FOLD TOOL BAR (2016-30HCF-94)	
2	2-809-010053	FOLD TOOL BAR (2010-36HCF-94)	
2	2-809-010054	FOLD TOOL BAR (2010-38HCF-94)	
3	1-298-010001-1	FITTING, GREASE 1/4-28 STR SHORT	
4	1-557-010533118	PIN, GROOVED ALLOY 3/8 X 2	
5	140191	PIN, GROOVED ALLOY 1/2 X 3	
6	2-450-010013	LINKAGE WELDMENT, CYL	
7	2-450-010049	LINKAGE WELDMENT, FOLD - 96	
8	2-557-010534	PIN, HINGE 1-5/8 W/ GROOVE	
9	2-557-010535	PIN, 1-1/4 CYL FOLD	
10	2-557-010536	PIN, 1-1/4 CYL LINK	
11	2-557-010537	PIN, 1-1/4 FOLD LINK	

**NOTE:** ALL ITEMS ARE INCLUDED IN ROW UNIT KIT OPTIONS (P/N'S 166980 & 166982) ON PAGE 1-2.

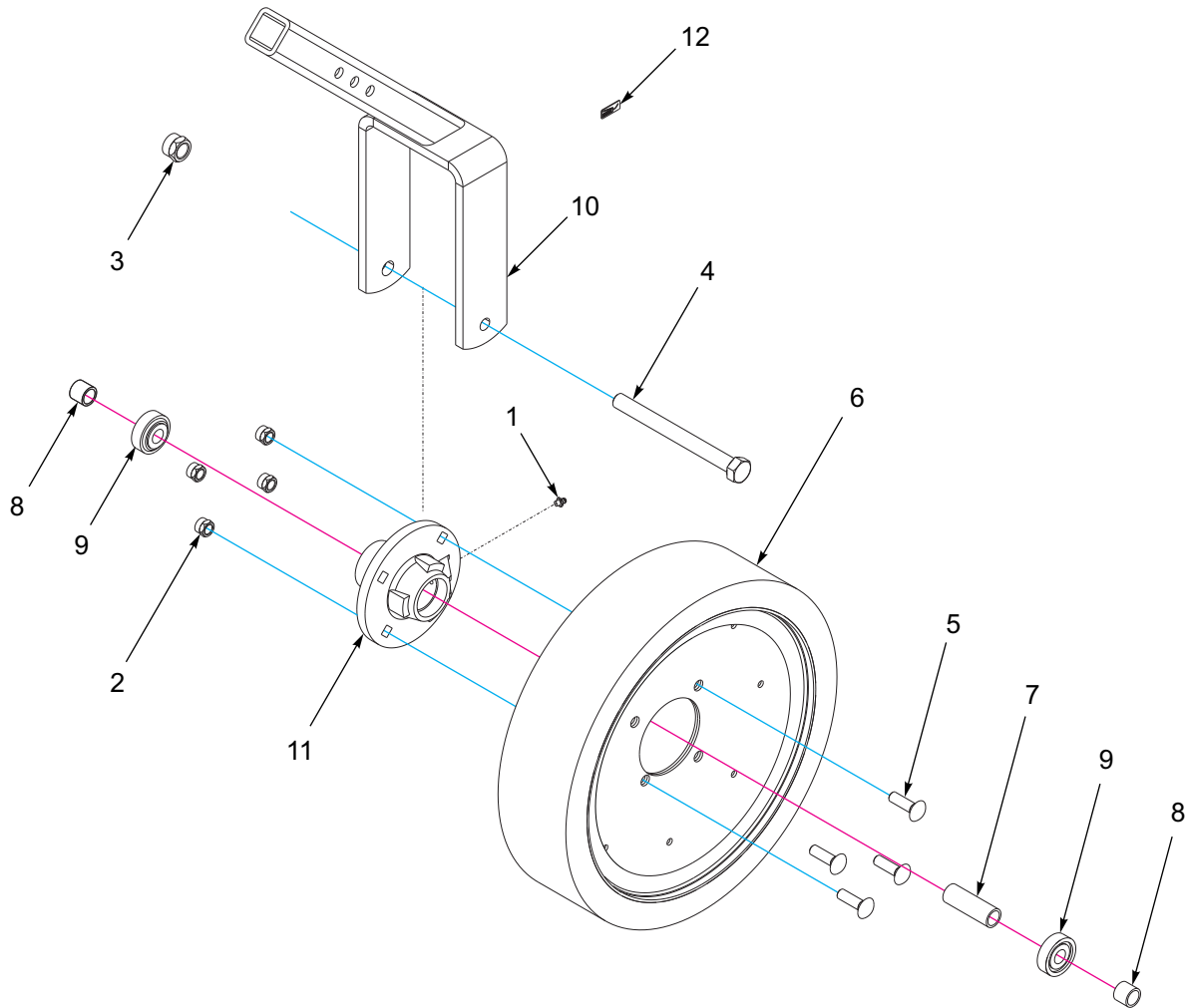
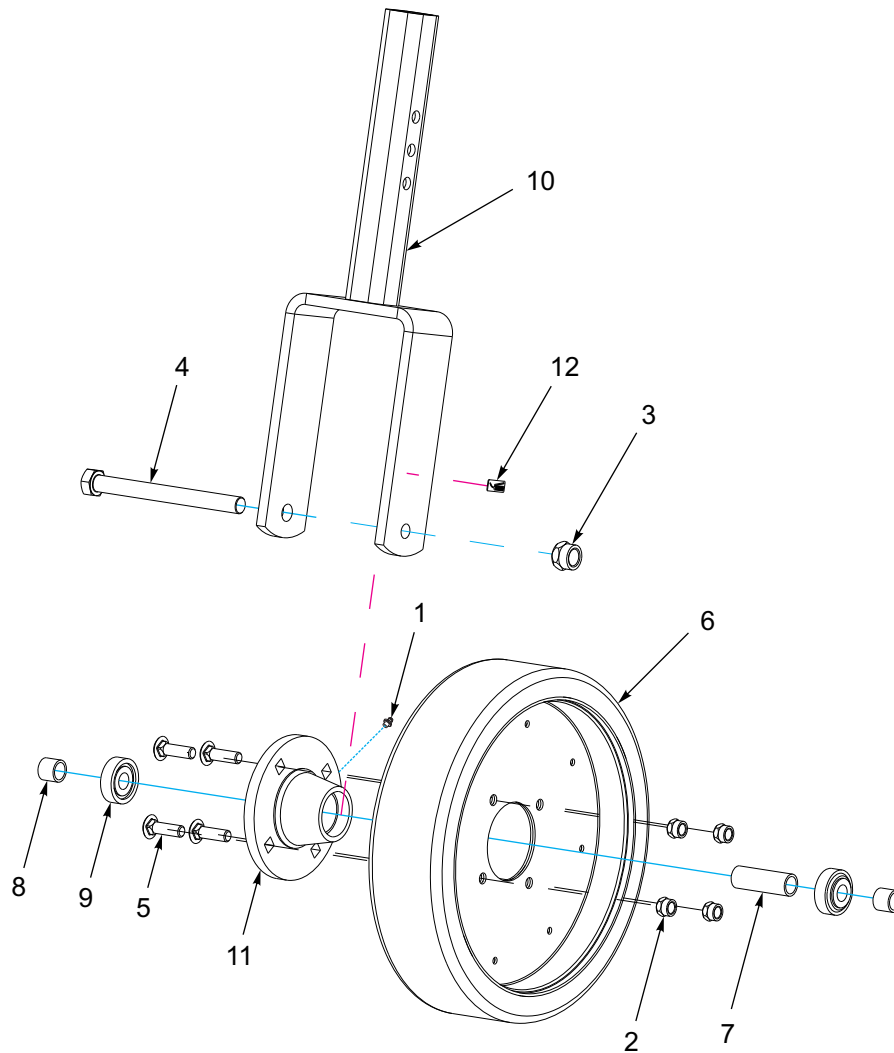


Figure 1-6: Gauge Wheel Assembly - Steel Outer

## Gauge Wheel Assembly - Steel Outer

ITEM	PART NO.	DESCRIPTION	QTY.
	112773	GAUGE WHEEL, STEEL OUTER	
1	1-298-010001-1	ZERK, GREASE 1/4	1
2	1-512-010005-09	NUT, HEX LOCK 1/2-13 GRB	4
3	1-512-010005-15	NUT, HEX LOCK 3/4-10 GRB	1
4	1-654-010061-21	SCREW, HEX HEAD CAP 3/4-10 X 8 GR5	1
5	1-654-010070-04	SCREW, RD HEAD SQ NECK 1/2-13 X 1-3/4 GR5	4
6	110789	WHEEL AND TIRE ASSEMBLY, STEEL	1
7	112815	TUBE, SPACER BEARING	1
8	112816	TUBE, SPACER HUB	2
9	2-065-010030	BALL BEARING, COULTER	2
10	2-326-010231	END GAUGE WHEEL WELDMENT	1
11	2-406-010058	HUB, 4 BOLT, COULTER	1
12	2-573-010330-01	DECAL, LUBRICATION 5 HOURS	1

**NOTE:** ALL ITEMS ARE INCLUDED IN ROW UNIT KIT OPTIONS (P/N'S 166981 & 166983) ON PAGE 1-2.



**Figure 1-7: Gauge Wheel Assembly - Steel Middle**

## Gauge Wheel Assembly - Steel Middle

ITEM	PART NO.	DESCRIPTION	QTY.
	112774	GAUGE WHEEL, STEEL MIDDLE	
1	1-298-010001-1	ZERK, GREASE 1/4	1
2	1-512-010005-09	NUT, HEX LOCK 1/2-13 GRB	4
3	1-512-010005-15	NUT, HEX LOCK 3/4-10 GRB	1
4	1-654-010061-21	SCREW, HEX HEAD CAP 3/4-10 X 8 GR5	1
5	1-654-010070-04	SCREW, RD HEAD SQ NECK 1/2-13 X 1-3/4 GR5	4
6	110789	WHEEL AND TIRE ASSEMBLY, STEEL	1
7	112815	TUBE, SPACER BEARING	1
8	112816	TUBE, SPACER HUB	2
9	2-065-010030	BALL BEARING, COULTER	2
10	2-326-010232	END GAUGE WHEEL WELDMENT	1
11	2-406-010058	HUB, 4 BOLT, COULTER	1
12	2-573-010330-01	DECAL, LUBRICATION 5 HOURS	1

**NOTE:** ALL ITEMS ARE INCLUDED IN  
ROW UNIT KIT OPTIONS (P/N'S 166980, 166981, 166982, & 166983) ON PAGE 1-2.

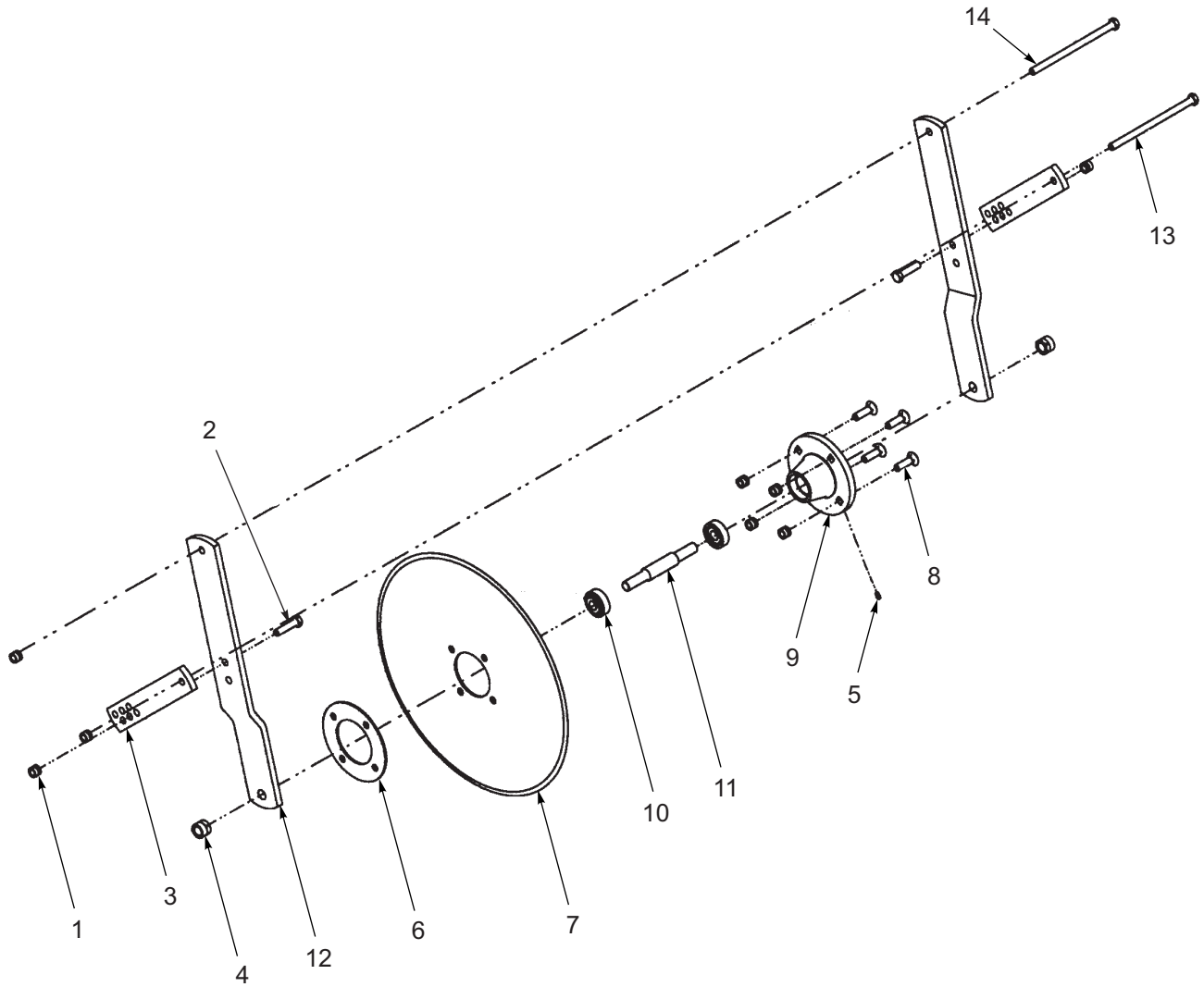


Figure 1-8: Coultter Blade Assembly

## Coulter Blade Assembly

ITEM	PART NO.	DESCRIPTION	QTY.
1	1-512-010005-09	NUT, HEX LOCK 1/2-13 GRB	
2	1-654-010055-05	SCREW, HEX HEAD CAP 1/2-13 X 2 GR5	
3	2-217-010212	BRACE, COULTER	
4	1-512-010005-15	NUT, HEX LOCK 3/4-10 GRB	
5	1-298-010001-1	ZERK, GREASE 1/4	
6	2-565-011116	PLATE, COULTER DOUBLER	
7	2-217-010203	BLADE, COULTER 20"	
8	1-654-010070-04	SCREW, RD HEAD SQ NECK 1/2-13 X 1-3/4 GR5	
9	2-406-010058	HUB, COULTER	
10	2-065-010030	BEARING BALL, COULTER	
11	2-717-010072	SPINDLE, COULTER	
12	2-217-010211	COULTER, FORK PLATE	
13	1-654-010055-22	SCREW, HEX HEAD CAP 1/2-13 X 8-1/2 GR5	
14	1/2-13X8HHCS	SCREW, HEX HEAD CAP 1/2-13 X 8	
15	2-406-010060	HUB ASSEMBLY, COULTER (INCLUDES ITEMS 9-11)	

**NOTE:** ALL ITEMS (EXCEPT 3A) ARE INCLUDED IN ROW UNIT KIT OPTIONS (P/N'S 166980, 166981, 169982, & 166983) ON PAGE 1-2.

**NOTE:** EACH ASSEMBLY CONTAINS ONLY ONE SWEEP. DETERMINE WHICH SWEEP YOU REQUIRE BY MEASURING BEFORE YOU ORDER.

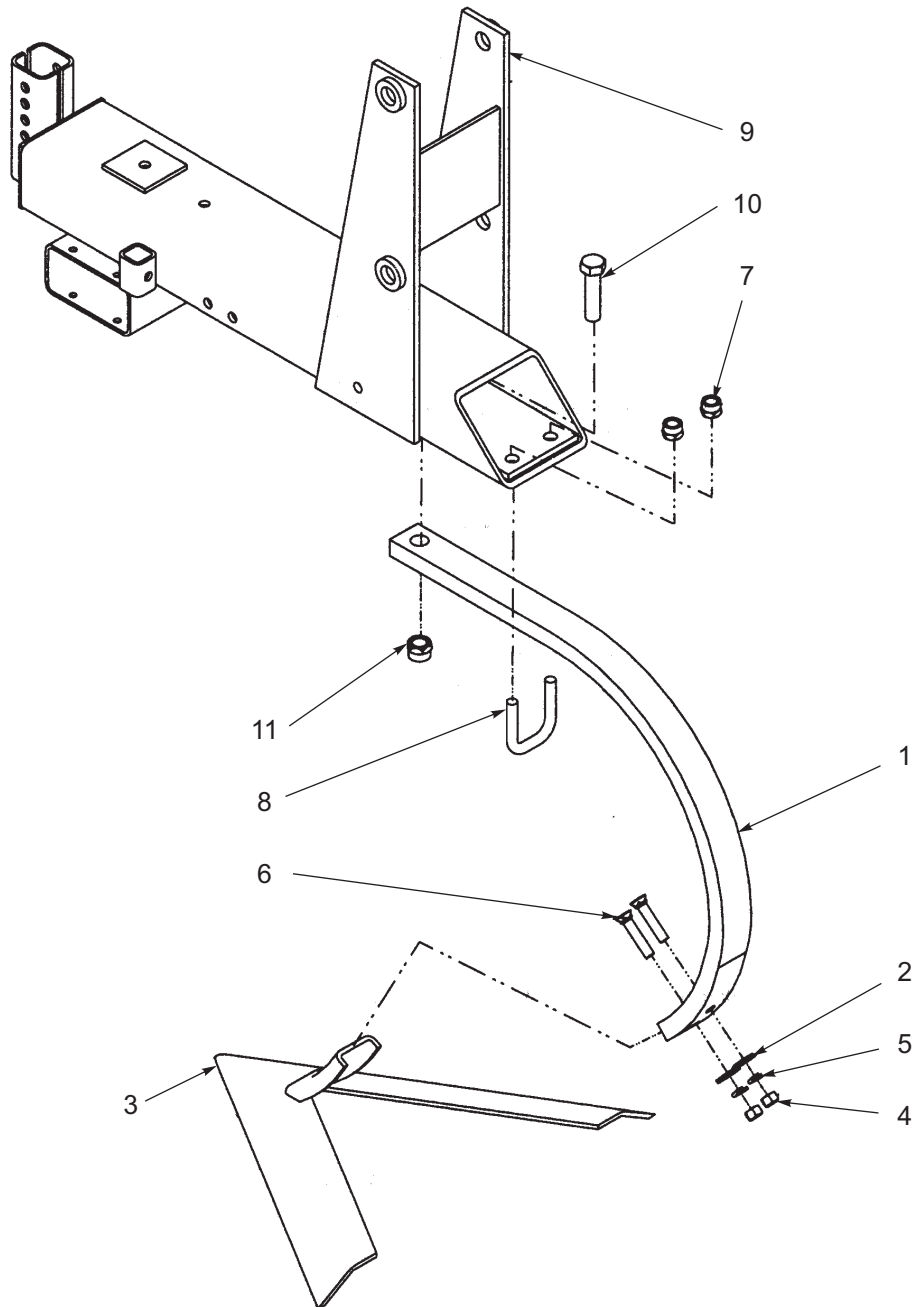


Figure 1-9: Shank Assembly



## Shank Assembly

ITEM	PART NO.	DESCRIPTION	QTY.
1	2-683-010040	SHANK, LONG	
2	1-861-010032-15	WASHER, FLAT 1/2	
3	2-689-010052	SWEEP, 24" PENETRATOR (ONLY SWEEP INCLUDED IN ROW UNIT KITS)	
3A	2-689-010018	SWEEP, 16' PENETRATOR	
3A	2-689-010019	SWEEP, OUTER 16" PENETRATOR LH	
3A	2-689-010020	SWEEP, OUTER 16" PENETRATOR RH	
3A	2-689-010023	SWEEP, 20"	
3A	2-689-010024	SWEEP, OUTER 20" LH	
3A	2-689-010025	SWEEP, OUTER 20" RHF-140	
3A	2-689-010026	SWEEP, 24"	
3A	2-689-010027	SWEEP, HALF 24" LH	
3A	2-689-010028	SWEEP, HALF 24" RH	
3A	2-689-010045	SWEEP, 18" PENETRATOR	
3A	2-689-010046	SWEEP, 18" PENETRATOR LH	
3A	2-689-010047	SWEEP, 18" PENETRATOR RH	
3A	2-689-010053	SWEEP, OUTER 24" PENETRATOR LH	
3A	2-689-010054	SWEEP, OUTER 24" PENETRATOR RH	
3A	2-689-010069	SWEEP, 26" PENETRATOR	
3A	2-689-010070	SWEEP, 26" PENETRATOR LH	
3A	2-689-010071	SWEEP, 26" PENETRATOR RH	
4	1-512-010007-09	NUT, HEX 1/2-13	
5	1-861-010034-13	WASHER, SPLIT LOCK 1/2	
6	1/2-13X2-1/2PLW	BOLT, PLOW 1/2-13X2-1 GR5	
7	1-512-010005-13	NUT, HEX LOCK 5/8-11 GRB	
8	2-102-010034	U-BOLT, SHANK	
9	2-311-016029	FRAME, TOOL MOUNT	
10	1-654-010061-09	SCREW, HEX HEAD CAP 3/4-10 X 3 GR5	
11	1-512-010005-15	NUT, HEX LOCK 3/4-10 GRB	

**NOTE:** ITEMS 1-16 ARE INCLUDED IN ROW UNIT KIT OPTIONS (P/N'S 166982 & 166983) ON PAGE 1-2.

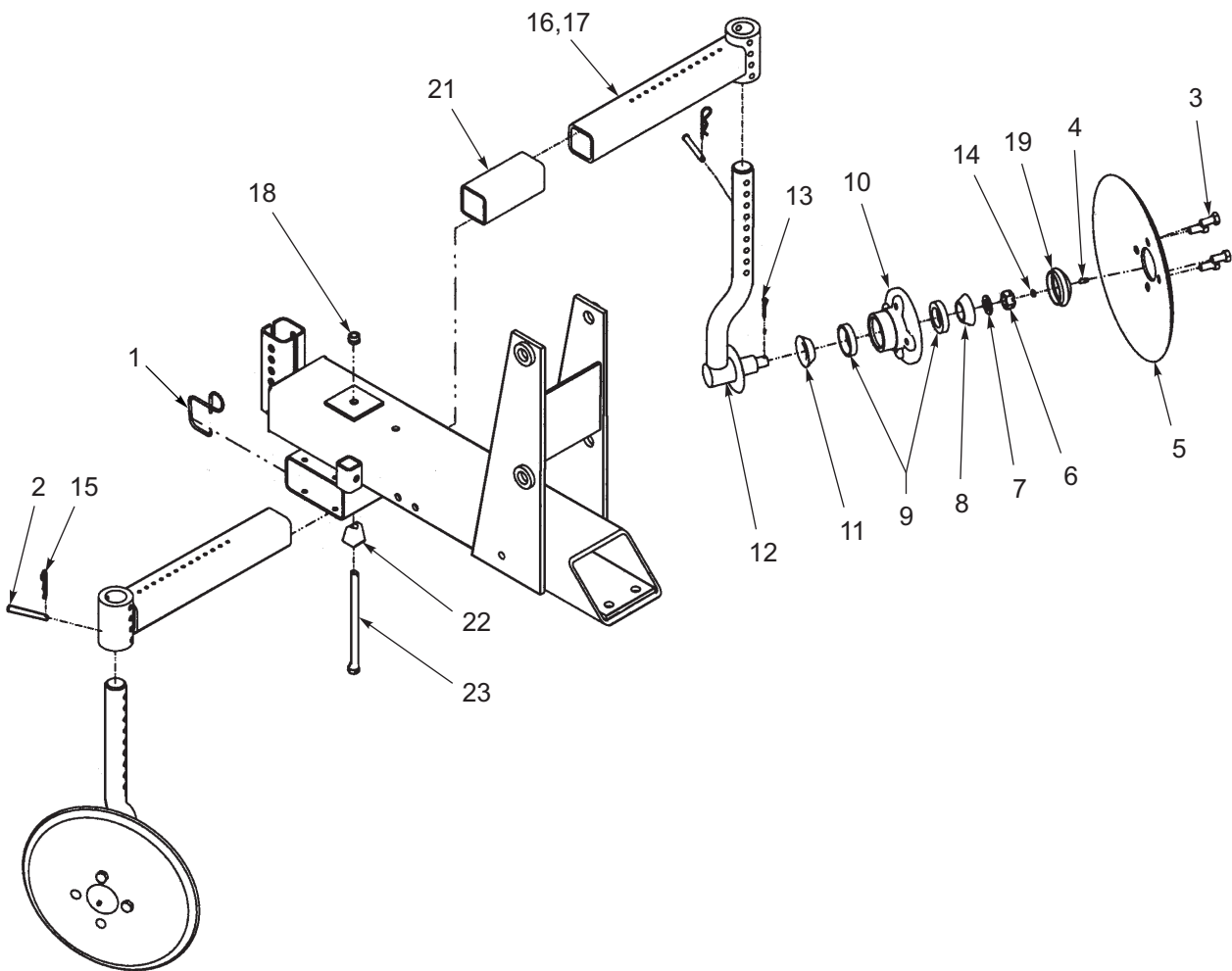


Figure 1-10: Disc Hiller Assembly

## Disc Hiller Assembly

ITEM	PART NO.	DESCRIPTION	QTY.
1	2-557-010475	PIN, WEEDING DISC LOCK	
2	2-557-010262	PIN, CLEVIS ASSEMBLY	
3	162248	SCREW, HEX HEAD CAP 1/2-20 X 1 GR5	
4	5013	ZERK, GREASE	
5	2-253-010051	BLADE, DISC	
6	3/4-16HSN	NUT, SLOTTED HEX	
7	1-861-010003	WASHER, SPINDLE	
8	1-076-010007	CONE, INNER	
9	1-076-010010	CUP, BEARING	
10	2-406-010036	HUB, 4 BOLT	
11	1-076-010021	CONE, INNER BEARING W/ SEAL	
12	2-717-010068	SPINDLE WELDMENT, O/SET WEED DISC	
13	1-557-010362-40	PIN, COTTER 5/32X1-1/4	
14	1/4-28HJN	NUT HEX JAM 1/4-28	
15	1-557-010403	PIN, HAIR 1/8	
16	2-120-010394	BRACKET, DISC HILLER 36" <b>(THIS BRACKET INLCUED IN ROW UNITS)</b>	
17	2-120-010349	BRACKET, DISC HILLER 30"	
18	1-512-010005-09	NUT, HEX LOCK 1/2-13 GRB	
19	2-161-010016	CAP, DUST	
20	2-406-010038	HUB, DISC HILLER <b>(INCLUDES ITEMS 9 &amp; 10)</b>	
21	2-829-010008	TUBE, SPACER <b>(FOR END TOOL FRAMES ONLY)</b>	
22	1-654-010055-22	SCREW, HEX HEAD CAP 1/2-13 X 8-1/2 GR5	
23	167-0031	CASTING, WEDGE	

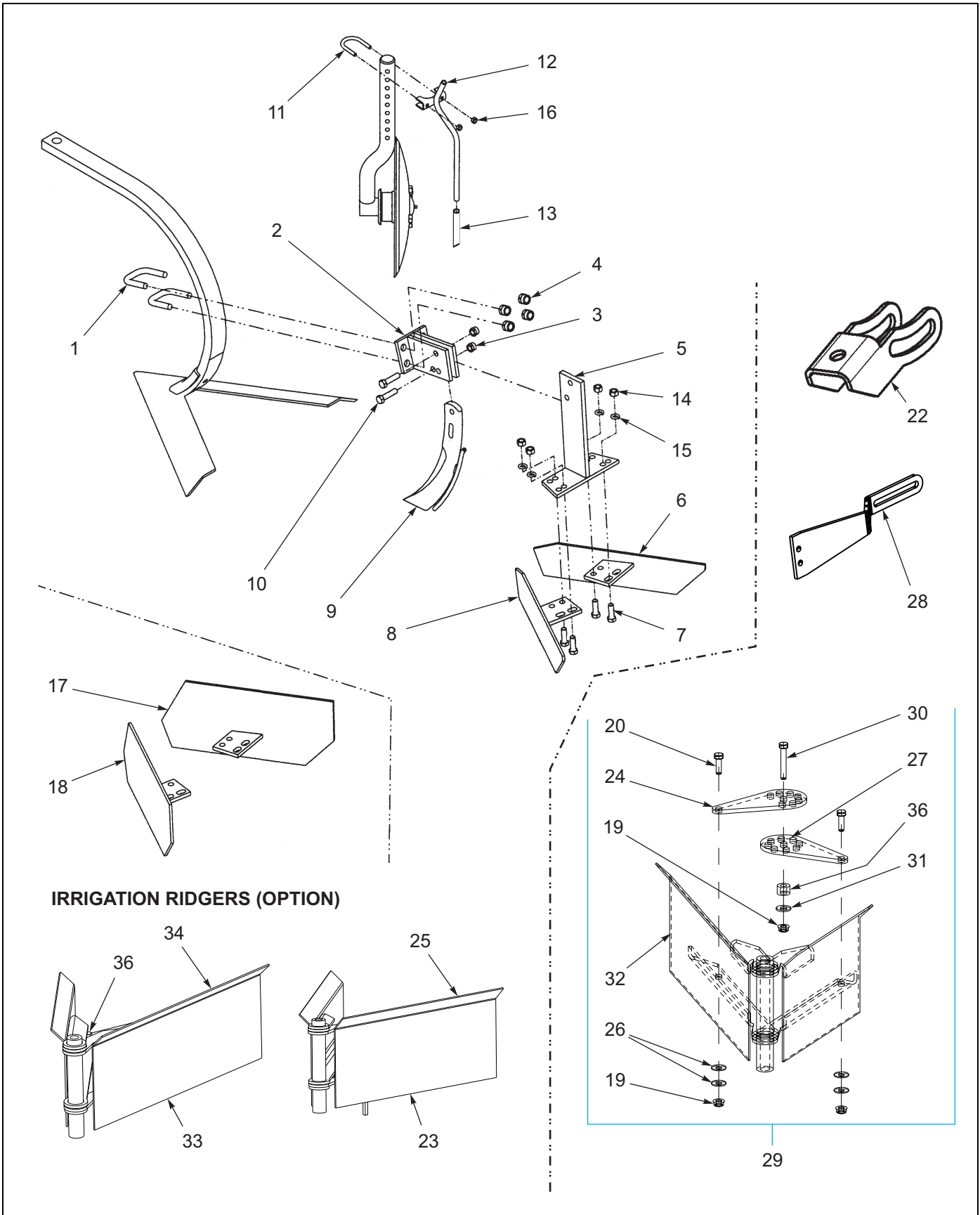


Figure 1-11: Ridger, Anhydrous Knife, & Fertilizer Tube

## Ridger, Anhydrous Knife, & Fertilizer Tube

ITEM	PART NO.	DESCRIPTION	QTY.
1	2-102-010034	U-BOLT, SHANK	
2	2-182-010033	CLAMP, SHANK	
3	1-512-010005-09	NUT, HEX LOCK 1/2-13 GRB	
4	1-512-010005-13	NUT, HEX LOCK 5/8-11 GRB	
5	2-683-010039	SHANK, RIDGER	
6	2-689-010022	RIDGER, RIGHT HAND HALF	
7	1-654-010055-03	SCREW, HEX HEAD CAP 1/2-13 X 1-1/2 GR5	
8	2-689-010021	RIDGER, LEFT HAND HALF	
9	2-433-010001	KNIFE, ANHYDROUS	
10	1-654-010055-05	SCREW, HEX HEAD CAP 1/2-13 X 2 GR5	
11	2-181-010014	CLAMP, FERTILIZER TUBE <b>(INCLUDES ITEM 16)</b>	
12	2-036-010002	ATTACHMENT, FERTILIZER <b>(INCLUDES ITEMS 11 &amp; 16)</b>	
13	2-036-010004	TUBE, PLASTIC END	
14	1-512-010007-09	NUT, HEX 1/2-13	
15	1-861-010034-13	WASHER, SPLIT LOCK 1/2	
16	5/16-18 HFLN	NUT, HEX LOCK 5/16-18	
17	2-689-010041	RIDGER, RIGHT HAND IRRIGATION <b>(OPTION)</b>	
18	2-689-010042	RIDGER, LEFT HAND IRRIGATION <b>(OPTION)</b>	
19	1-510-010004-03	NUT, HEX FLANGE 5/16-18 GR8	
20	1-654-010049-05	SCREW, HEX HEAD CAP 5/16-18 X 1 GR5	
21	1-654-010055-22	SCREW, HEX HEAD CAP 1/2-13 X 8-1/2 GR5 <b>(NOT SHOWN)</b>	
22	106708	ATTACHMENT, RIDGER	
23	106720	RIDGER ASSEMBLY, SWEEP <b>(INCLUDES ITEMS 19, 20, &amp; 24-27)</b>	
24	106712	ARM, RIDGER ADJUSTMENT	
25	106719	RIDGER WELDMENT, SWEEP	
26	106784	WASHER, NYLON 5/16	
27	106809	ARM, RIDGER ADJUSTMENT 8 HOLE	
28	106812	BRACKET, EDGE ROW RIDGER	
29	106824	RIDGER ASSY, LH END <b>(INCLUDES ITEMS 19, 20, 24, 26, 27, 30-32, &amp; 36)</b>	
30	1-654-010049-09	SCREW, HEX HEAD CAP 5/16-18 X 2 GR5	
31	1-861-010032-09	WASHER, FLAT 5/16W	
32	106822	RIDGER WELDMENT, LH END SWEEP	
33	106825	RIDGER ASSY, RH END <b>(INCLUDES ITEMS 19, 20, 24, 26, 27, 30, 31, 34, &amp; 36)</b>	
34	106823	RIDGER WELDMENT, RH END SWEEP	
35	516-22PTL	RETAINING PIN, MUD FLAP <b>(NOT SHOWN)</b>	
36	RRT181X.5	TUBE, ROUND 3/4 X 3/8 X 1/2	

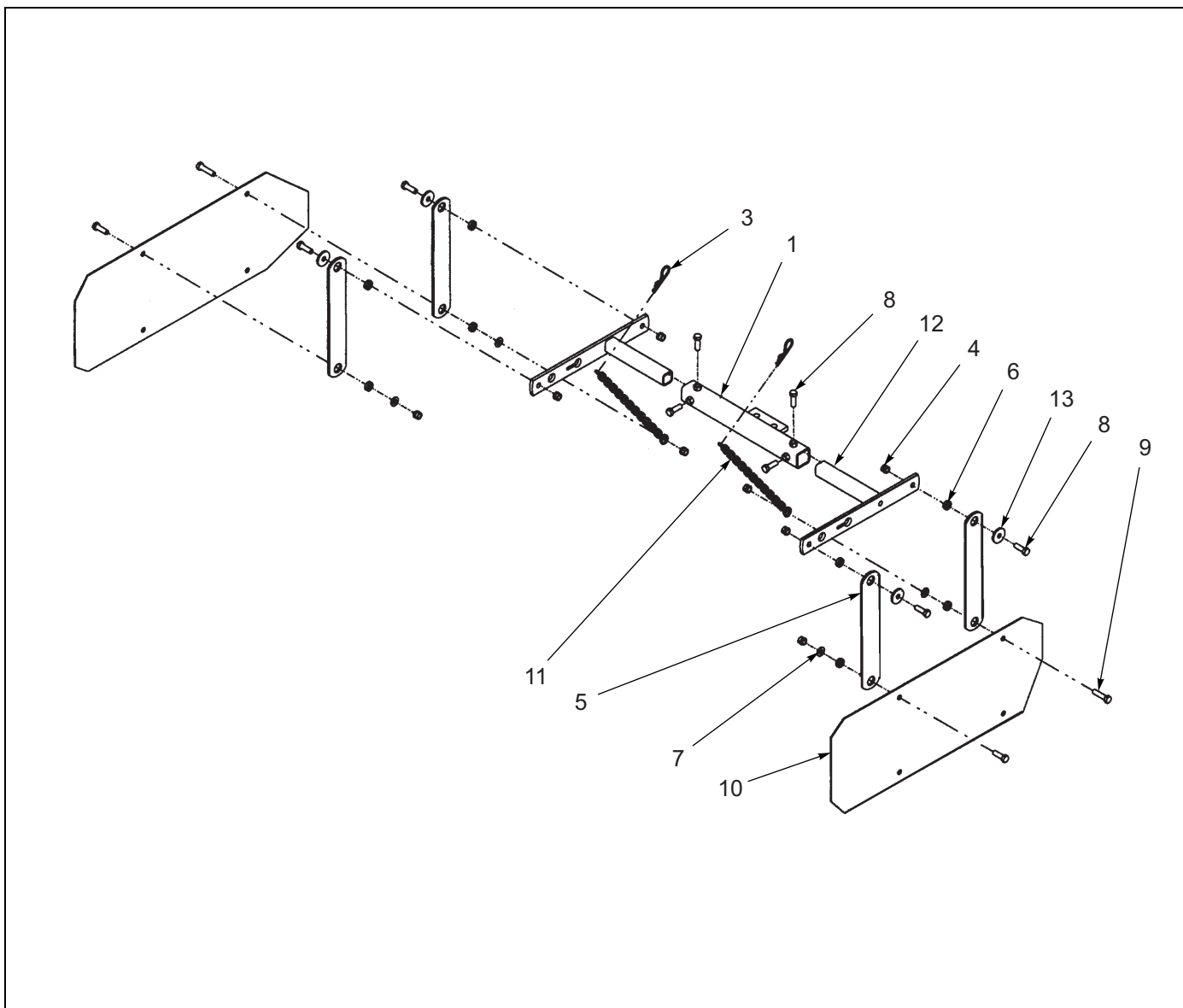


Figure 1-12: Shield Items

## Shield Items

ITEM	PART NO.	DESCRIPTION	QTY.
1	2-120-010177	BRACKET, SHIELD MOUNTING	1
3	1-557-010013	PIN, HAIR	3
4	1-512-010005-09	NUT, HEX LOCK 1/2-13 GRB	4
5	2-450-010020	LINKAGE, SHIELD	5
6	2-150-010028	BUSHING, SPACER	6
7	1-861-010032-15	WASHER, FLAT 1/2	7
8	1-654-010055-03	SCREW, HEX HEAD CAP 1/2-13X1-1/2 GR5	8
9	1-654-010055-05	SCREW, HEX HEAD CAP 1/2-13X2 GR5	9
10	2-681-010045	SHIELD, ROW CROP	10
11	2-174-010025	CHAIN, SHIELD ADJUSTMENT	11
12	2-120-010179	BRACKET, SHIELD	12
13	2-861-010057	WASHER, 17/32 ID X 1-3/4 OD	13

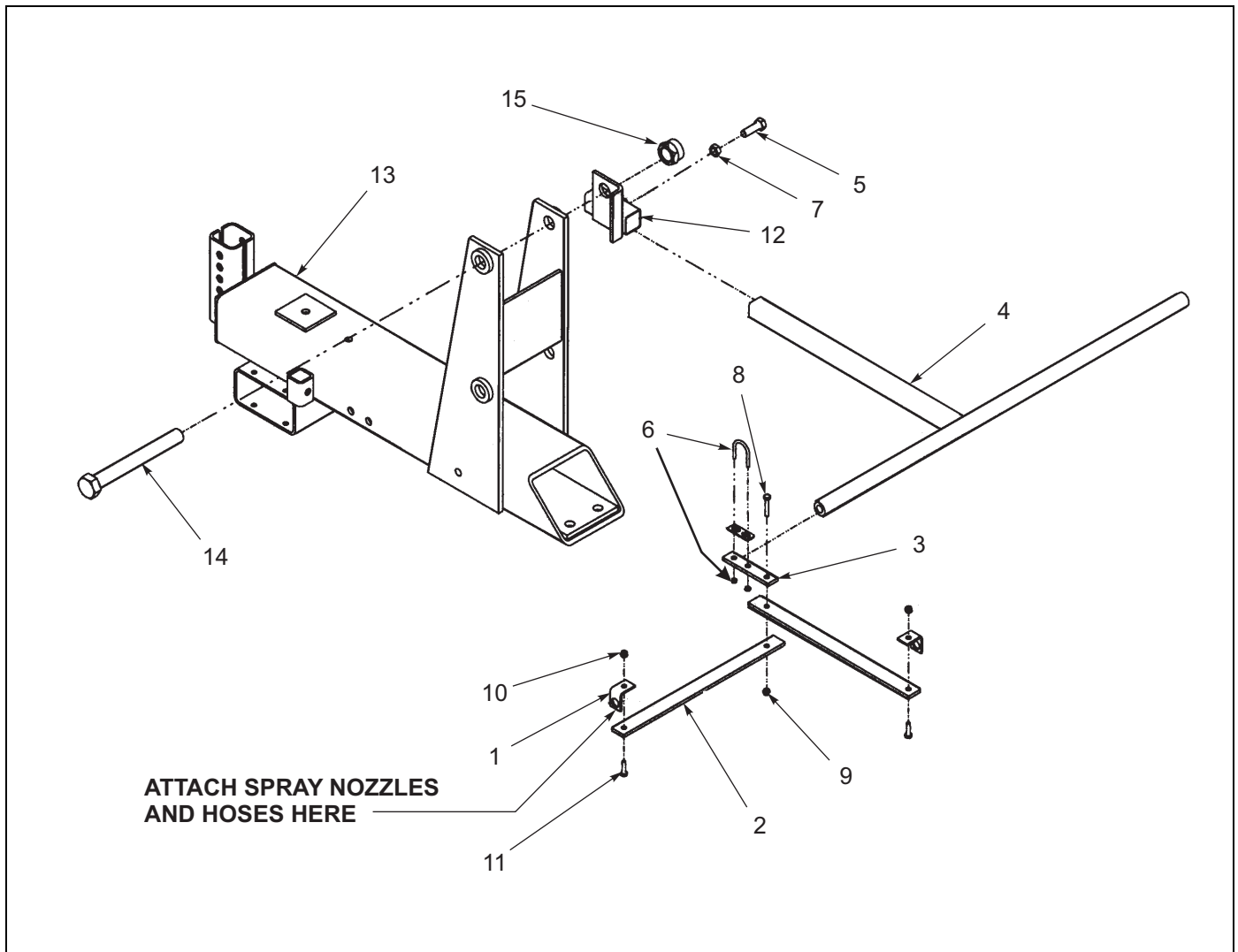
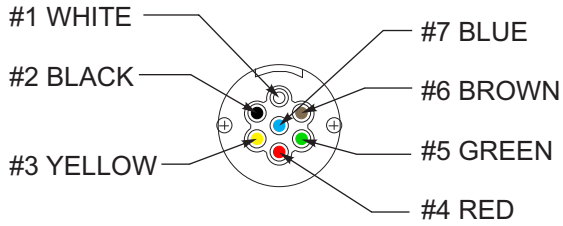


Figure 1-13: Spray Nozzle Mount Items

## Spray Nozzle Mount Items

ITEM	PART NO.	DESCRIPTION	QTY.
1	2-482-010122	MOUNT, SPRAY NOZZLE	
2	2-027-010016	BAR, SPRAY NOZZLE	
3	2-054-010047	BAR, ARM MOUNTING	
4	2-482-010117	MOUNT, SPRAY NOZZLE ARM	
5	1-654-010055-01	SCREW, HEX HEAD CAP 1/2-13X1 GR5	
6	103-0869	U-BOLT, 1-1/4 PIPE W/ SPACER	
7	1-511-010001-05	NUT, HEX JAM 1/2-13	
8	1/4-20X1-1/2CS	SCREW, HEX HEAD CAP 1/4-20X1-1/2	
9	1-512-010005-01	NUT, HEX LOCK 1/4-20 GRB	
10	1/4-28 HFLN	NUT, HEX LOCK 1/4-28	
11	1/4-28X1 CS	SCREW, HEX HEAD CAPkj 1/4-28X1	
12	2-120-010203	BRACKET SPRAY MOUNT	
13	----	FRAME, TOOL MOUNT	REF
14	----	BOLT, PARALLEL LINKAGE	REF
15	----	NUT HEX 1-8 GR2	REF

**NOTE:** IF REPAIRING OR REPLACING THE 7 PIN CONNECTOR, MATCH THE LETTERS AT THE BACK OF THE HARNESS TO THE 7 PIN CONNECTOR AS SHOWN. THE COLOR OF THE WIRE JACKET DOES NOT NECESSARILY MATCH THE COLOR MARKING OF THE 7 PIN CONNECTOR.



FACING 7-PIN CONNECTOR

WIRING CHART		
7-PIN CONNECTION	4-PIN CONNECTION	
GRND. 1	A	GROUND
YEL. 3	B	LEFT AMBER
GRN. 5	C	RIGHT AMBER
BRN. 6	D	TAIL LIGHT (RED)

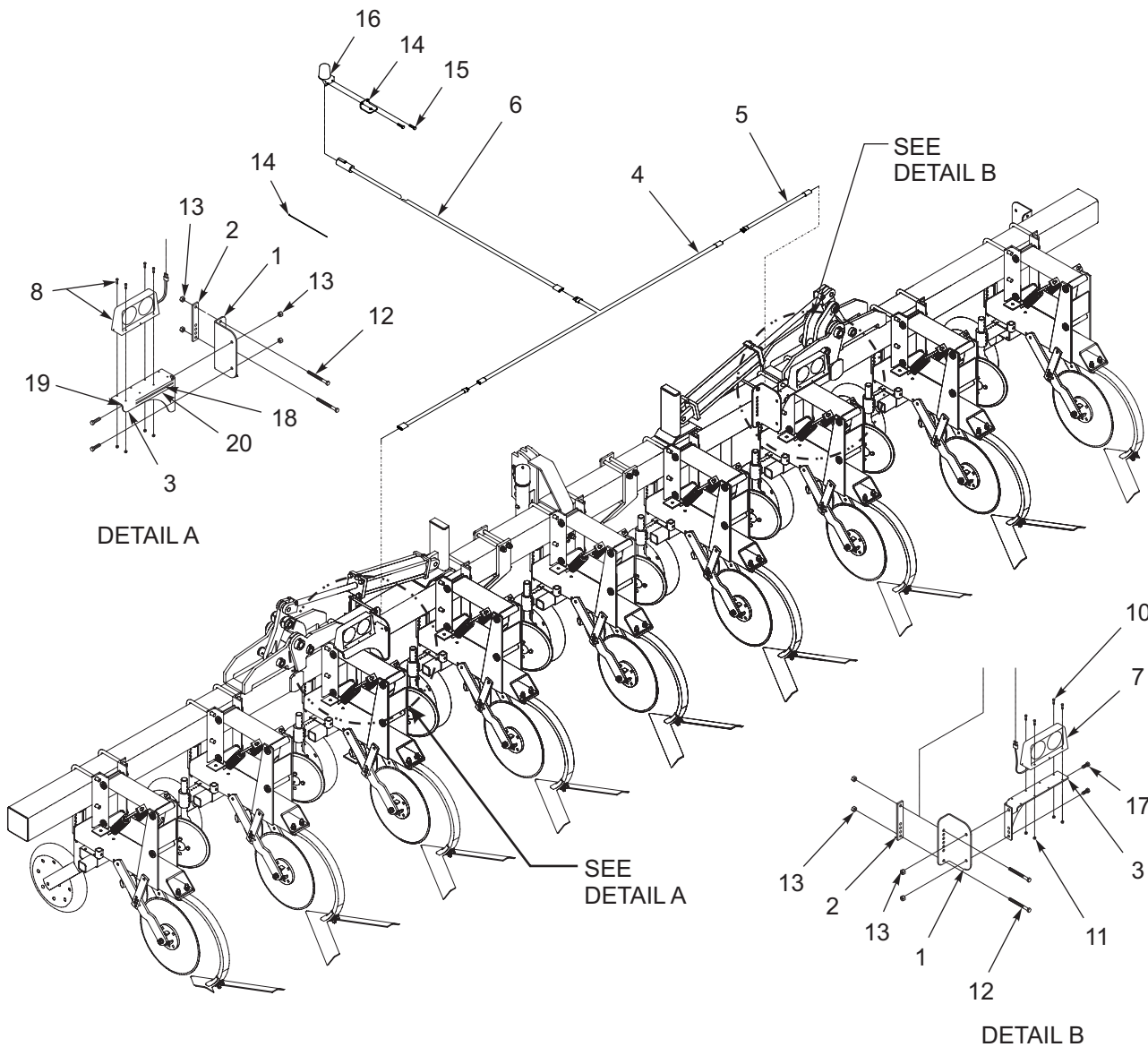


Figure 1-14: Electrical Assembly



## Electrical Assembly

ITEM	PART NO.	DESCRIPTION	QTY.
1	2-015-010252	ANGLE, MOUNTING BRACKET LIGHTS	2
2	2-054-010461	BAR, WARNING LIGHTS	2
3	2-120-010503	BRACKET, WARNING LIGHTS	2
4	2-368-010271	HARNESS, REAR WARNING LIGHTS	1
5	2-368-010274	HARNESS, 30" EXTENSION	3
6	2-368-010277	HARNESS, MAIN SHORT LIGHTS	1
7	2-446-010044	LIGHT ASSEMBLY, WARNING RH	1
8	2-446-010045	LIGHT ASSEMBLY, WARNING LH	1
9	105874	TIE, STRAP PLASTIC 21.5-24 X .301	10
10	1-654-010047-07	SCREW, HEX HEAD CAP 1/4-20 X 1-1/4 GR5	8
11	1-512-010004-05	NUT HEX LOCK 1/4-20 GRA	8
12	1-654-010055-22	SCREW, HEX HEAD CAP 1/2-13 X 8-1/2 GR5	4
13	1-512-010005-09	NUT HEX LOCK 1/2-13 GRB	8
14	101404	BRACKET, STOR-AWAY HOLDER	1
15	1-654-010047-04	SCREW, HEX HEAD CAP 1/4-20 X 3/4	2
16	2-368-010287	HARNESS, STOR-AWAY	1
17	1-654-010055-03	SCREW, HEX HEAD CAP 1/2-13 X 1-1/2 GR5	4
18	528933	REFLECTOR, RED	2
19	528934	REFLECTOR, YELLOW	2
20	528938	STRIPE, ORANGE	2
21	F-306	WARNING LIGHT INSTRUCTION ( <b>NOT SHOWN</b> )	1

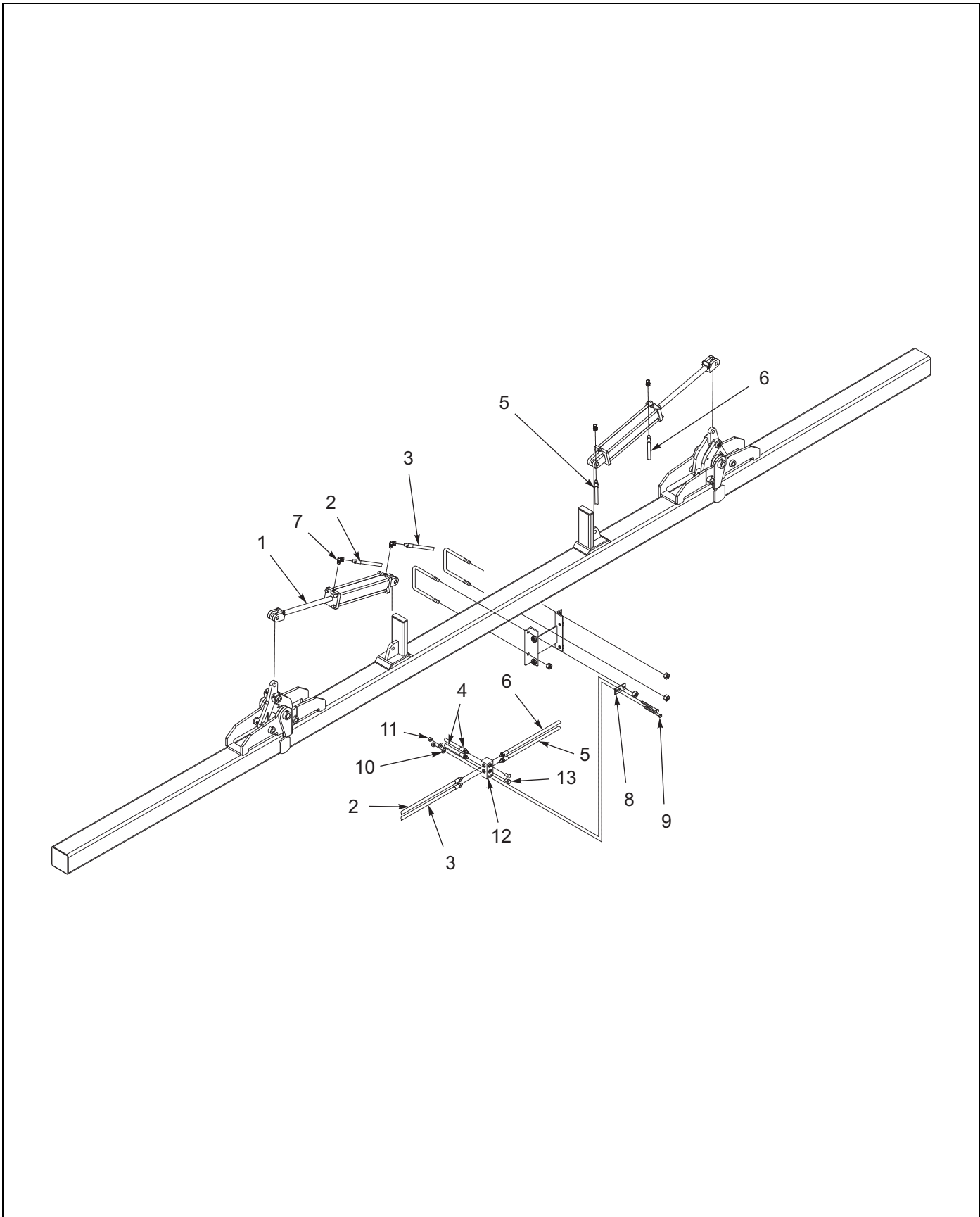


Figure 1-15: Hydraulic Assembly

## Hydraulic Assembly

ITEM	PART NO.	DESCRIPTION	QTY.
1	1-242-010180-2	CYLINDER, HYDRAULIC 3-1/2 X 20 (SEE PAGE 1-24)	
1	1-242-010180-3	CYLINDER, HYDRAULIC 4 X 20 (SEE PAGE 1-25)	
2	1-397-010299-15	HOSE ASSEMBLY 48" (2008-30HCF-94)	
2	1-397-010299-13	HOSE ASSEMBLY 74" (2008-40HCF-94)	
2	1-397-010299-18	HOSE ASSEMBLY 68" (2006-36HCF-94, 2008-36HCF-94)	
2	1-397-010299-17	HOSE ASSEMBLY 78" (2010-30HCF-94, 2010-30HCFLG-94, 2012-30HCF-94)	
2	1-397-010299-20	HOSE ASSEMBLY 108" (2010-36HCF-94,2010-38HCF-94, 2012-36HCF-94, 2012-40HCF-94,2016-30HCF-94)	
2	1-397-010299-21	HOSE ASSEMBLY 120" (2012-38HCF-94)	
3	1-397-010299-14	HOSE ASSEMBLY 24" (2008-30HCF-94)	
3	1-397-010299-15	HOSE ASSEMBLY 48" (2006-36HCF-94, 2008-36HCF-94, 2008-40HCF-94)	
3	1-397-010299-06	HOSE ASSEMBLY 56" (2010-30HCF-94, 2010-30HCFLG-94,2012-30HCF-94)	
3	1-397-010299-12	HOSE ASSEMBLY 84" (2010-36HCF-94,2010-38HCF-94,2012-36HCF-94, 2012-40HCF-94, 2016-30HCF-94)	
	1-397-010299-19	HOSE ASSEMBLY 90" (2012-38HCF-94)	
4	1-397-010299-15	HOSE ASSEMBLY 48" (2006-36HCF-94, 2008-30HCF-94, 2008-36HCF-94, 2008-40HCF-94, 2010-30HCF-94, 2010-30HCFLG-94, 2010-36HCF-94, 2010-38HCF-94, 2012-30HCF-94, 2012-36HCF-94, 2012-38HCF-94,2012-40HCF-94, 2016-30HCF-94)	
5	1-397-010299-01	HOSE ASSEMBLY 36" (2008-30HCF-94)	
5	1-397-010299-02	HOSE ASSEMBLY 60" (2006-36HCF-94, 2008-36HCF-94, 2008-40HCF-94)	
5	1-397-010299-18	HOSE ASSEMBLY 68" (2010-30HCF-94, 2010-30HCFLG-94, 2012-30HCF-94)	
5	1-397-010299-22	HOSE ASSEMBLY 98" (2010-36HCF-94, 2010-38HCF-94, 2012-36HCF-94, 2012-40HCF-94,2016-30HCF-94)	
5	1-397-010299102	HOSE ASSEMBLY 102" (2012-38HCF-94)	
6	1-397-010299-02	HOSE ASSEMBLY 60" (2008-30HCF-94)	
6	1-397-010299-24	HOSE ASSEMBLY 80" (2006-36HCF-94, 2008-36HCF-94)	
6	1-397-010299-19	HOSE ASSEMBLY 90" (2008-40HCF-94, 2010-30HCF-94, 2010-30HCFLG-94, 2012-30HCF-94)	
6	1-397-010299-21	HOSE ASSEMBLY 120" (2010-36HCF-94, 2010-38HCF-94, 2012-36HCF-94, 2012-40HCF-94, 2016-30HCF-94)	
6	1-397-010299126	HOSE ASSEMBLY 126" (2012-38HCF-94)	
7	1-007-010008	FITTING, 90° RESTRICTOR	
8	2-120-010176	BRACKET, HYDRAULIC MANIFOLD MOUNTING	
9	1-654-010055-11	SCREW, HEX HEAD CAP 1/2-13X3-1/2 GR5	
10	1-861-010032-15	WASHER, FLAT 1/2	
11	1-512-010005-09	NUT, HEX LOCK 1/2-13 GRB	
12	2-474-010022	MANIFOLD, HYDRAULIC	
13	102-1187	PLUG	
14	8010-4	COUPLER, MALE (NOT SHOWN)	

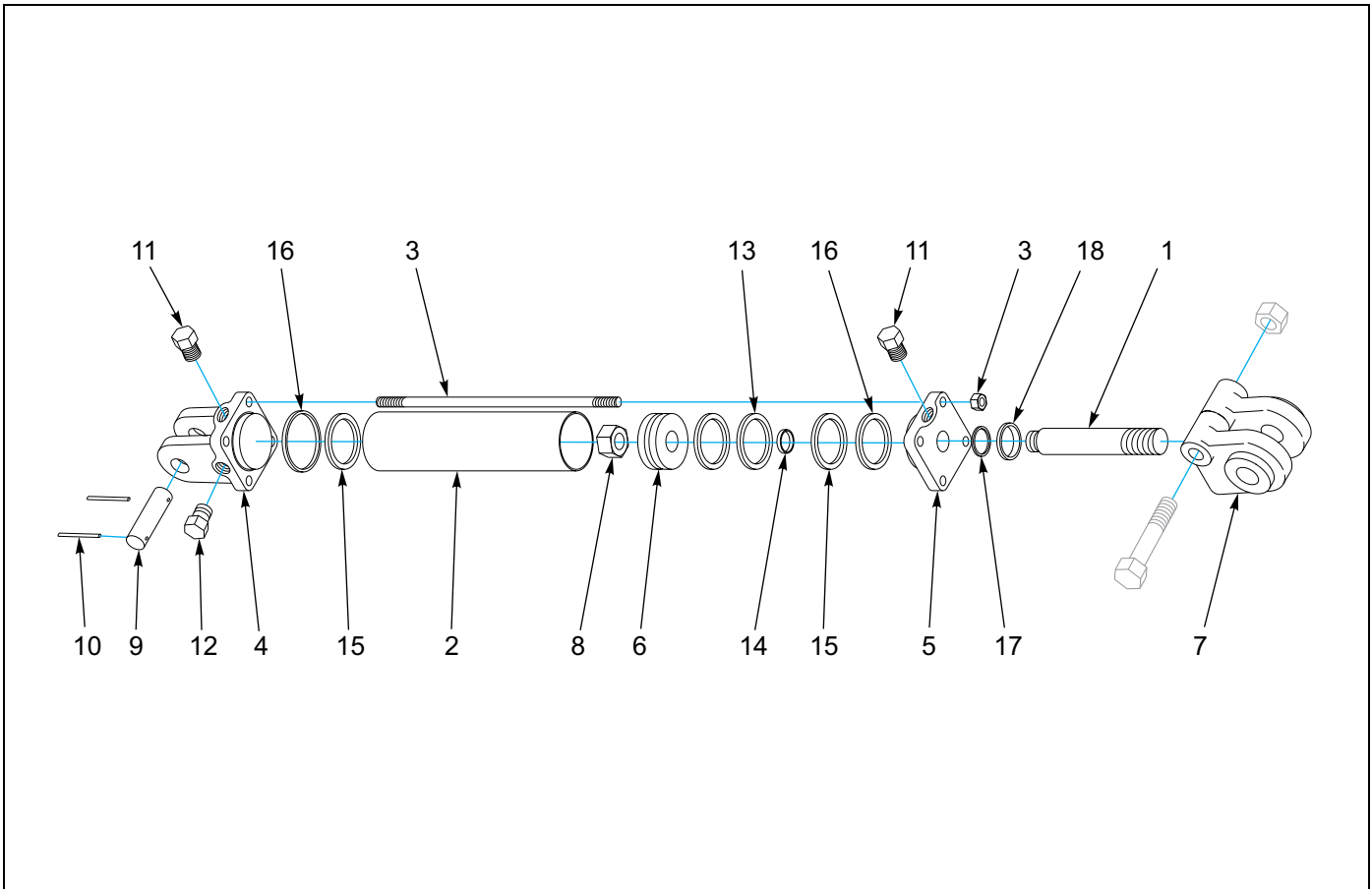


Figure 1-16: Hydraulic Cylinder - 3-1/2 X 20

## Hydraulic Cylinder - 3-1/2 X 20

ITEM	PART NO.	DESCRIPTION	QTY.
	1-242-010180-2	COMPLETE ASSY, WINGFOLD CYLINDER	2
1	010700437	PISTON ROD	1
2	-----	TUBE	1
3	-----	TIEROD ASSEMBLY	4
4	-----	BUTT	1
5	111870	GLAND ASSEMBLY	1
6	-----	PISTON	1
7	100000330	CLEVIS ASSEMBLY	1
8	-----	LOCKNUT	1
9	190400004	CLEVIS PIN	2
10	220001504	COTTER PIN	4
11	-----	PLASTIC PLUG	2
12	-----	PORT PLUG	1
13	-----	CROWN SEAL	1
14	-----	O-RING	1
15	-----	O-RING	2
16	-----	BU-WASHER	2
17	-----	U-CUP	1
18	-----	WIPER	1
19	1-242-010178-2	PACKING KIT (ITEMS 13-18) (NOT SHOWN)	

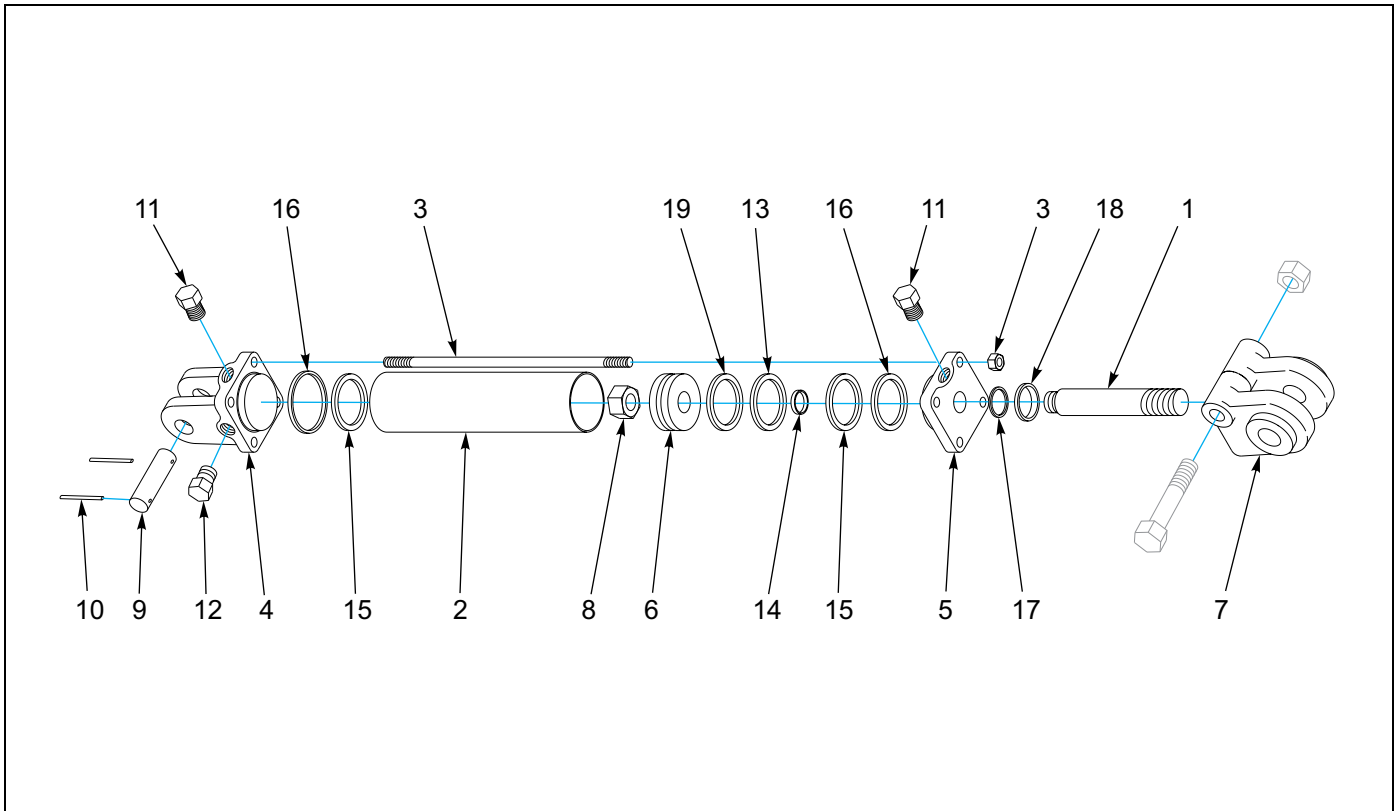


Figure 1-17: Hydraulic Cylinder - 4 X 20

## Hydraulic Cylinder - 4 X 20

ITEM	PART NO.	DESCRIPTION	QTY.
	1-242-010180-3	COMPLETE ASSY, WINGFOLD CYLINDER	2
1	011000323	PISTON ROD	1
2	-----	TUBE	1
3	-----	TIEROD ASSEMBLY	4
4	-----	BUTT	1
5	111787	GLAND ASSEMBLY	1
6	-----	PISTON	1
7	100000326	CLEVIS ASSEMBLY	1
8	-----	LOCKNUT	1
9	111790	CLEVIS PIN	2
10	111789	COTTER PIN	4
11	-----	PLASTIC PLUG	2
12	-----	PORT PLUG	1
13	-----	CROWN SEAL	1
14	-----	O-RING	1
15	-----	O-RING	2
16	-----	BU-WASHER	2
17	-----	U-CUP	1
18	-----	WIPER	1
19	-----	BEARING RING	1
20	1-242-010178-3	PACKING KIT (ITEMS 13-19) (NOT SHOWN)	

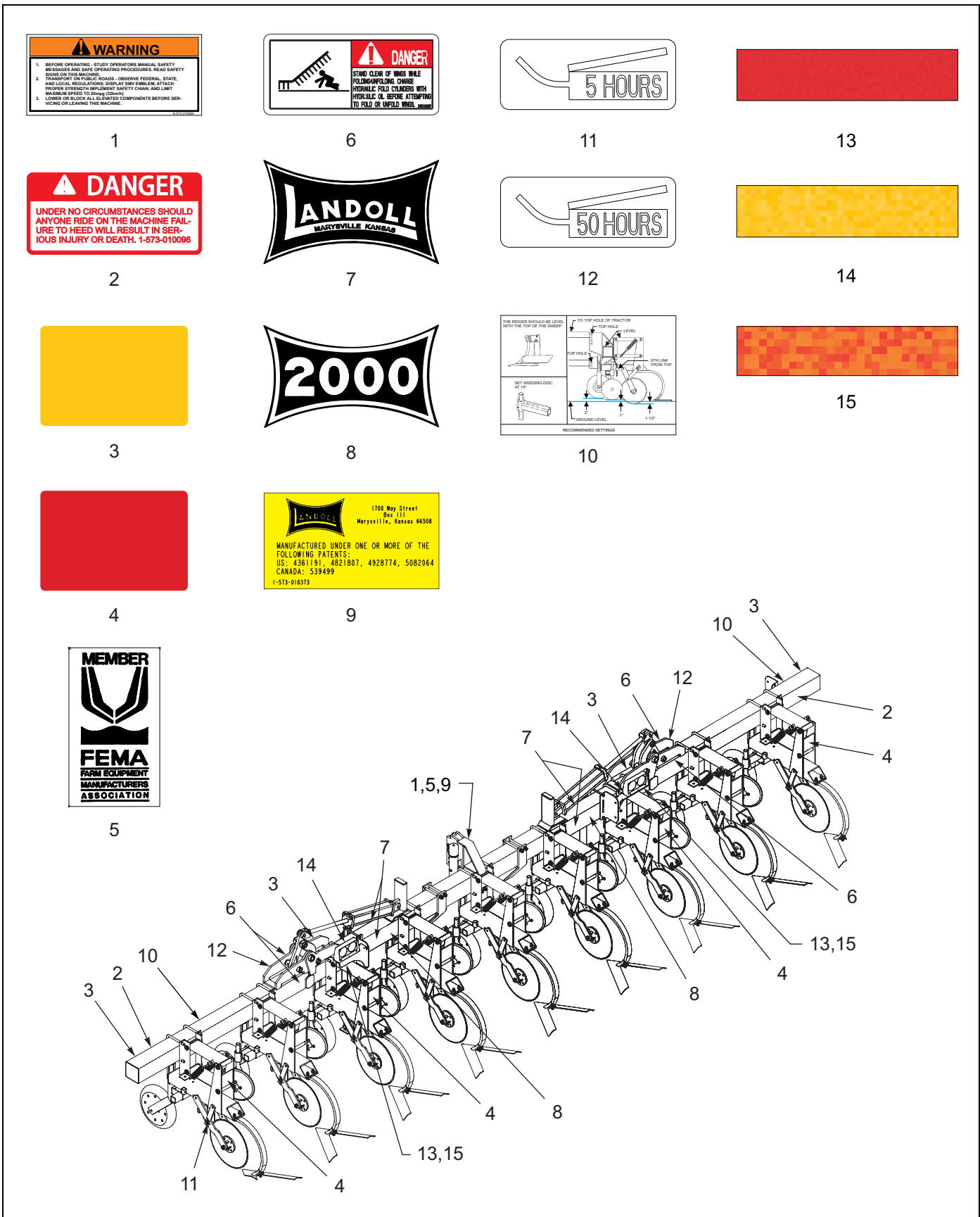


Figure 1-18: Decal Placement

## Decal Installation

ITEM	PART NO.	DESCRIPTION	QTY.
1	8-573-010084	DECAL, WARNING BEFORE OPERATING	
2	1-573-010096	DECAL, DANGER	
3	1-573-010032	DECAL, AMBER REFLECTOR	
4	1-573-010033	DECAL, RED REFLECTOR	
5	2-573-010198	DECAL, MEMBER FEMA	
6	2-573-010037	DECAL, DANGER WING <b>(FOLD MODELS ONLY)</b>	
7	1-573-010007	DECAL, LANDOLL, BLACK	
8	2-573-010311	DECAL, MODEL 2000, BLACK	
9	1-573-010373	DECAL, PATENT TILLAGE	
10	2-573-010323	DECAL, RECOMMENDED SETTINGS	
11	2-573-010330-01	DECAL, LUBRICATION 5 HRS	
12	2-573-010330-03	DECAL, LUBRICATION 50 HRS <b>(FOLD MODELS ONLY)</b>	
13	528933	REFLECTOR, RED	
14	528934	REFLECTOR, YELLOW	
15	528938	STRIPE, ORANGE	

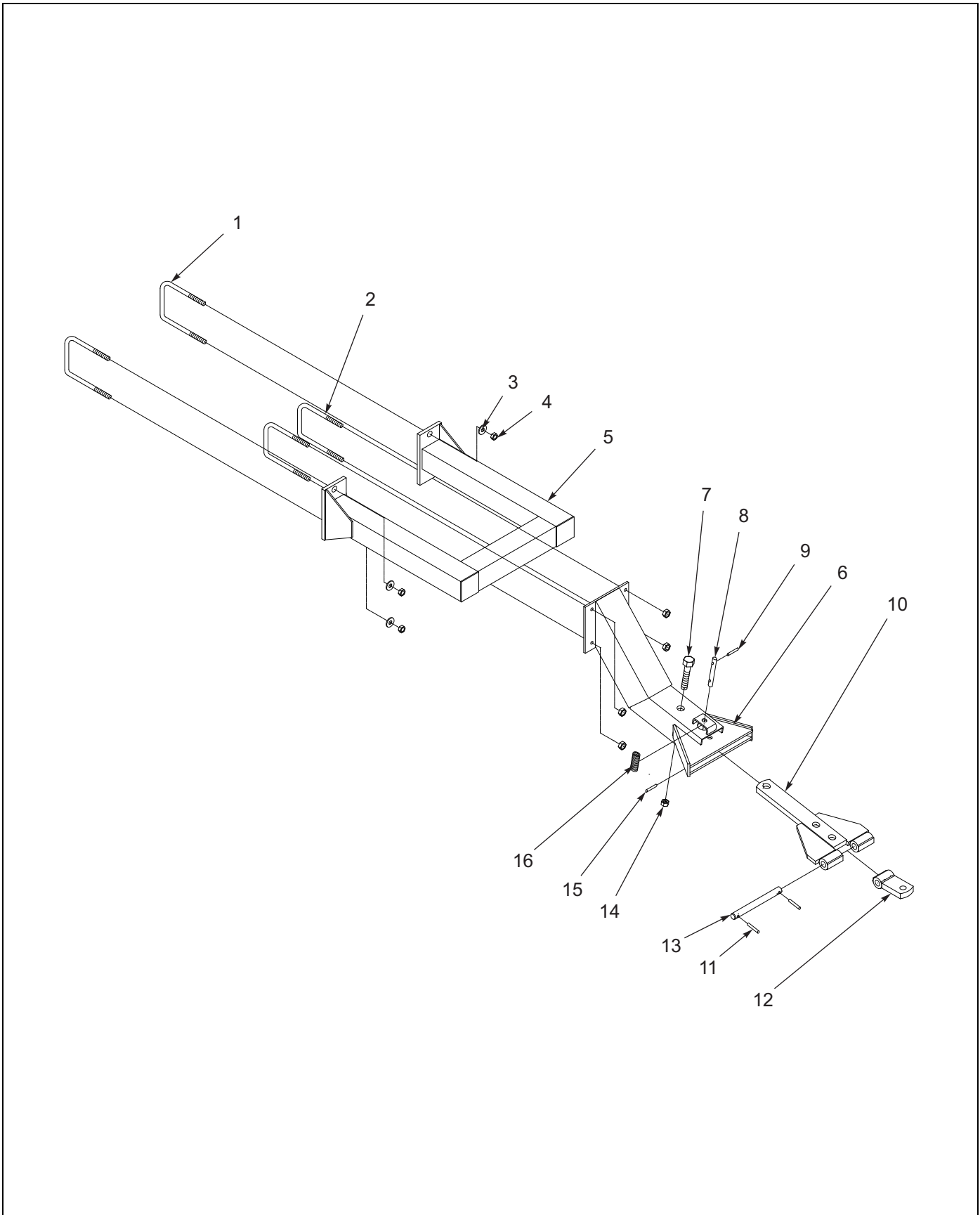


Figure 1-19: Nurse Tank Hitch Assembly Items



## Nurse Tank Hitch Assembly Items

ITEM	PART NO.	DESCRIPTION	QTY.
1	2-102-010035	U-BOLT 5/8-11	2
2	6-102-010009	U-BOLT 3/4-10	2
3	1-861-010032-19	WASHER, FLAT 5/8	4
4	1-512-010005-13	NUT, HEX LOCK 5/8-11 GRB	4
5	2-375-010442	WELDMENT, HITCH FRAME	1
6	2-375-010455	WELDMENT, HITCH	1
7	1-654-010061-05	SCREW, HEX HEAD CAP 3/4-10 X 2 GR5	1
8	3-375-010371	PIN, HITCH	1
9	0600-250-03000	PIN, ROLL 1/4 X 3	1
10	2-375-010441	WELDMENT, HITCH BAR	1
11	103-0805	PIN, ROLL 1/4 X 1-3/4	2
12	2-375-010437	WELDMENT, HITCH	1
13	2-557-010229	PIN, PIVOT	1
14	1-512-010005-15	NUT, HEX LOCK 3/4-10 GRB	5
15	0600-250-01000	PIN, ROLL 1/4 X 1	1
16	CO-975-74-2000	SPRING, COMPRESSION	1

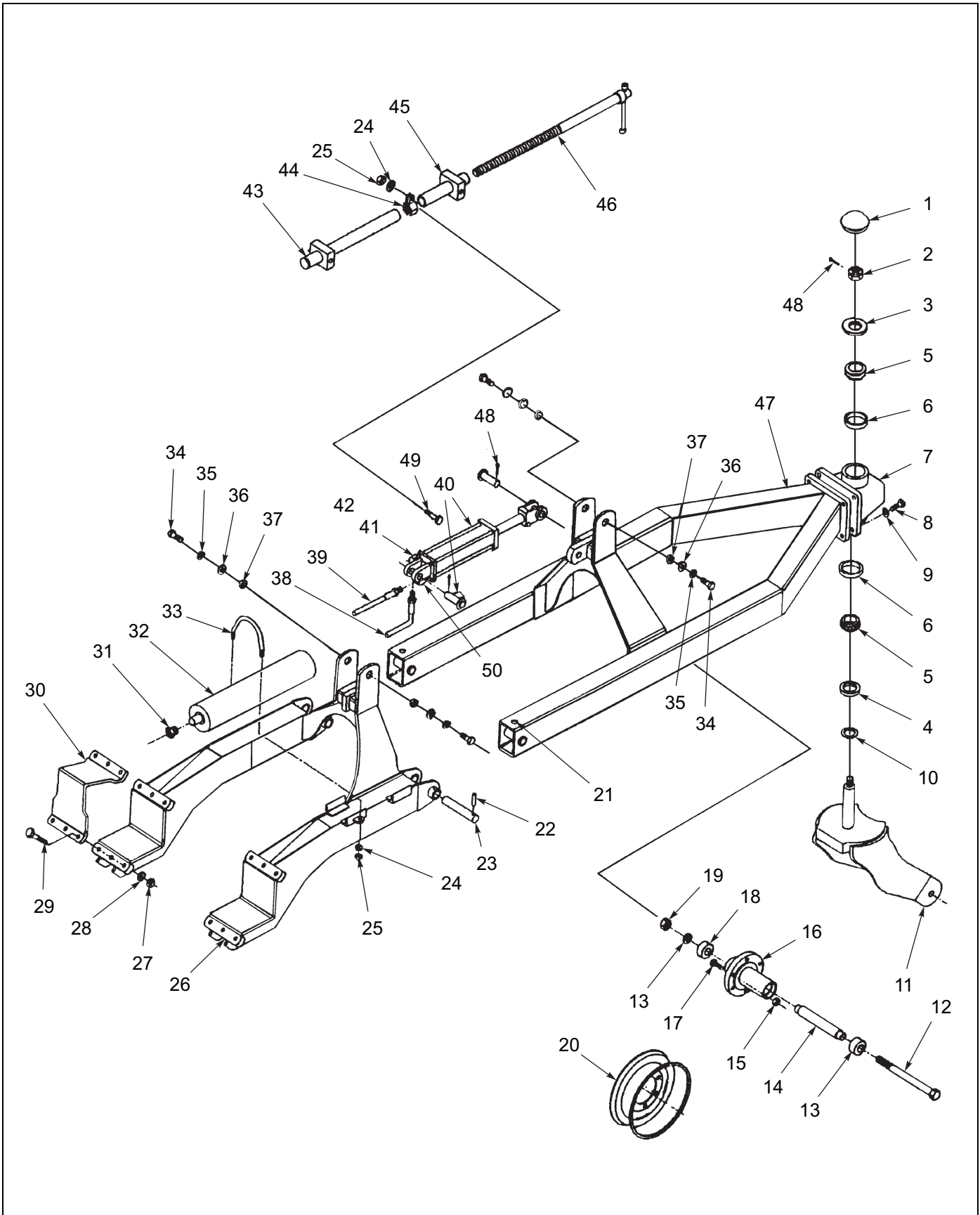


Figure 1-20: Lift Assist Wheel Items

## Lift Assist Wheel Items

ITEM	PART NO.	DESCRIPTION	QTY.
1	340-152	DUST CAP	1
2	102-041	NUT, SLOTTING JAM	1
3	303-243	WASHER	1
4	150-026	SEAL	1
5	120-065	BEARING	2
6	120-066	CUP	2
7	303-265	TAIL SECTION <b>(INCLUDES ITEM 6)</b>	1
8	100-15	BOLT, HEX	5
9	108-022	WASHER, LOCK	5
10	303-162	SPACER, BEARING	1
11	303-266	YOKE <b>(INCLUDES ITEMS 2 &amp; 10)</b>	1
12	303-071	BOLT, HEX	1
13	120-036	BEARING	2
14	303-070	SPACER	1
15	102-039	NUT, WHEEL	6
16	303-064	HUB	1
17	100-330	BOLT, WHEEL	6
18	108-025	WASHER, LOCK	1
19	102-011	NUT, HEX	1
20	190-055	WHEEL	1
21	110-001	FITTING, GREASE	2
22	104-041	PIN	2
23	303-086	PIN	2
24	108-018	WASHER, LOCK	3
25	102-005	NUT, HEX	3
26	303-287	FRAME, FRONT	1
27	102-008	NUT, HEX	12
28	108-021	WASHER, LOCK	12
29	100-138	BOLT, HEX	12
30	303-295	STRAP, TOP MOUNTING	2
31	134-009	APPENDIX 1 – BUSHING, REDUCER	1
32	340-052	ACCUMULATOR <b>(INCLUDES ITEM 31)</b>	1
33	315-122	U-BOLT	1
34	100-155	BOLT, HEX	4
35	108-022	WASHER, LOCK	4
36	108-011	WASHER, FLAT	4
37	304-111	BUSHING	4
38	303-125	HOSE, HYDRAULIC 1/2 X 21	1
39	196-040	HOSE, HYDRAULIC 3/8 X 124	1
39	196-041	HOSE, HYDRAULIC 3/8 X 136	1
40	194-001	CYLINDER, HYDRAULIC W/ PINS	1
41	140-026	NIPPLE	1
42	140-046	ELBOW	1
43	303-022	HOUSING, SCREW	1
44	303-036	NUT, LOCKING W/ TABS	1
45	303-028	SLIDE, ADJUSTING SCREW	1

## Lift Assist Wheel Items

ITEM	PART NO.	DESCRIPTION	QTY.
46	303-031	SCREW, ADJUSTING	1
47	303-280	FRAME, REAR	1
48	104-022	PIN, COTTER	1
49	100-109	BOLT, HEX	1
50	140-019	ELBOW	1

## TABLE OF CONTENTS

## Index

---

<b>Numerics</b>			
010700437	1-24	105-0093	1-3
011000323	1-25	105874	1-21
0600-250-01000	1-29	106708	1-17
0600-250-03000	1-29	106712	1-17
1/2-13X2-1/2PLW	1-13	106719	1-17
1/2-13X8HHCS	1-11	106720	1-17
1/4-20X1-1/2CS	1-19	106784	1-17
1/4-28 HFLN	1-19	106809	1-17
1/4-28HJN	1-15	106812	1-17
1/4-28X1 CS	1-19	106822	1-17
100000326	1-25	106823	1-17
100000330	1-24	106824	1-17
100-109	1-32	106825	1-17
100-138	1-31	1-076-010007	1-15
100-15	1-31	1-076-010010	1-15
100-155	1-31	1-076-010021	1-15
100-330	1-31	108-011	1-31
1-007-010008	1-23	108-018	1-31
101404	1-21	108-021	1-31
101988	1-5	108-022	1-31
102-005	1-31	108-025	1-31
102-008	1-31	110-001	1-31
102-011	1-31	110-7385	1-5
102-039	1-31	110789	1-8, 1-9
102-041	1-31	1-116-010019	1-3
102-1187	1-23	111787	1-25
103-0805	1-29	111789	1-25
103-0869	1-19	111790	1-25
104-022	1-32	111870	1-24
104-041	1-31	112201	1-5
104436	1-3	112773	1-8
		112774	1-9
		112815	1-8, 1-9

---

## TABLE OF CONTENTS

---

112816	1-8, 1-9	1-512-010005-13	1-13, 1-17, 1-29
120-036	1-31	1-512-010005-15	1-3, 1-5, 1-8, 1-9, 1-11, 1-13, 1-29
120-065	1-31	1-512-010005-19	1-3
120-066	1-31	1-512-010007-09	1-5, 1-13, 1-17
1-242-010178-2	1-24	1-512-010007-14	1-5
1-242-010178-3	1-25	1-557-010013	1-3, 1-18
1-242-010180-2	1-23, 1-24	1-557-010014	1-3
1-242-010180-3	1-23, 1-25	1-557-010362-40	1-15
1-298-010001-1	1-7, 1-8, 1-9, 1-11	1-557-010403	1-15
134-009	1-31	1-557-010533118	1-7
1-397-010299-01	1-23	1-573-010007	1-27
1-397-010299-02	1-23	1-573-010032	1-27
1-397-010299-06	1-23	1-573-010033	1-27
1-397-010299102	1-23	1-573-010096	1-27
1-397-010299-12	1-23	1-573-010373	1-27
1-397-010299126	1-23	162248	1-15
1-397-010299-13	1-23	1-654-010047-04	1-21
1-397-010299-14	1-23	1-654-010047-07	1-21
1-397-010299-15	1-23	1-654-010049-05	1-17
1-397-010299-17	1-23	1-654-010049-09	1-17
1-397-010299-18	1-23	1-654-010053-05	1-5
1-397-010299-19	1-23	1-654-010055-01	1-5, 1-19
1-397-010299-20	1-23	1-654-010055-03	1-17, 1-18, 1-21
1-397-010299-21	1-23	1-654-010055-05	1-11, 1-17, 1-18
1-397-010299-22	1-23	1-654-010055-11	1-5, 1-23
1-397-010299-24	1-23	1-654-010055-22	1-11, 1-15, 1-17, 1-21
140-019	1-32	1-654-010061-05	1-29
140-026	1-31	1-654-010061-09	1-13
140-046	1-31	1-654-010061-21	1-8, 1-9
140191	1-7	1-654-010067	1-5
150-026	1-31	1-654-010070-04	1-8, 1-9, 1-11
1-510-010003-09	1-5	166980	1-2
1-510-010004-03	1-17	166981	1-2
1-511-010001-05	1-19	166982	1-2
1-512-010004-05	1-21	166983	1-2
1-512-010005-01	1-19	167-0031	1-15
1-512-010005-09	1-8, 1-9, 1-11, 1-15, 1-17, 1-18, 1-21, 1-23	1-861-010003	1-15

## TABLE OF CONTENTS

---

1-861-010032-09	1-17	2-181-010014	1-17
1-861-010032-15	1-5, 1-13, 1-18, 1-23	2-182-010033	1-17
1-861-010032-19	1-29	220001504	1-24
1-861-010034-13	1-13, 1-17	2-217-010203	1-11
190-055	1-31	2-217-010211	1-11
190400004	1-24	2-217-010212	1-11
194-001	1-31	2-253-010051	1-15
196-040	1-31	2-311-016029	1-5, 1-13
196-041	1-31	2-326-010231	1-8
2-015-010252	1-21	2-326-010232	1-9
2-027-010016	1-19	2-368-010271	1-21
2-036-010002	1-17	2-368-010274	1-21
2-036-010004	1-17	2-368-010277	1-21
2-054-010047	1-19	2-368-010287	1-21
2-054-010461	1-21	2-375-010437	1-29
2-065-010030	1-8, 1-9, 1-11	2-375-010441	1-29
2-073-010012	1-5	2-375-010442	1-29
2-101-010003	1-5	2-375-010455	1-29
2-102-010034	1-13, 1-17	2-406-010036	1-15
2-102-010035	1-5, 1-29	2-406-010038	1-15
2-120-010176	1-23	2-406-010058	1-8, 1-9, 1-11
2-120-010177	1-18	2-406-010060	1-11
2-120-010179	1-18	2-423-010034	1-3
2-120-010186	1-3	2-433-010001	1-17
2-120-010187	1-3	2-446-010044	1-21
2-120-010202	1-5	2-446-010045	1-21
2-120-010203	1-19	2-450-010013	1-7
2-120-010349	1-15	2-450-010020	1-18
2-120-010394	1-15	2-450-010049	1-7
2-120-010417	1-3	2-450-010059	1-5
2-120-010418	1-3	2-474-010022	1-23
2-120-010503	1-21	2-482-010117	1-19
2-146-010074	1-5	2-482-010122	1-19
2-150-010028	1-18	2-482-010133	1-5
2-161-010016	1-15	2-557-010229	1-29
2-174-010025	1-18	2-557-010232	1-3
2-174-010028	1-5	2-557-010262	1-15
2-174-010029	1-5	2-557-010315	1-3

---

## TABLE OF CONTENTS

---

2-557-010389	1-3	2-689-010054	1-13
2-557-010475	1-15	2-689-010069	1-13
2-557-010534	1-7	2-689-010070	1-13
2-557-010535	1-7	2-689-010071	1-13
2-557-010536	1-7	2-711-010098	1-5
2-557-010537	1-7	2-717-010068	1-15
2-565-011116	1-11	2-717-010072	1-11
2-573-010037	1-27	2-720-010085	1-5
2-573-010198	1-27	2-809-010007	1-7
2-573-010311	1-27	2-809-010008	1-7
2-573-010323	1-27	2-809-010009	1-7
2-573-010330-01	1-8, 1-9, 1-27	2-809-010010	1-7
2-573-010330-03	1-27	2-809-010011	1-7
2-642-010113	1-3	2-809-010012	1-7
2-642-010114	1-3	2-809-010013	1-7
2-642-010187	1-3	2-809-010014	1-7
2-681-010045	1-18	2-809-010015	1-7
2-683-010039	1-17	2-809-010016	1-7
2-683-010040	1-13	2-809-010032	1-7
2-689-010018	1-13	2-809-010033	1-7
2-689-010019	1-13	2-809-010034	1-7
2-689-010020	1-13	2-809-010044	1-7
2-689-010021	1-17	2-809-010045	1-7
2-689-010022	1-17	2-809-010046	1-7
2-689-010023	1-13	2-809-010053	1-7
2-689-010024	1-13	2-809-010054	1-7
2-689-010025	1-13	2-829-010008	1-15
2-689-010026	1-13	2-861-010057	1-18
2-689-010027	1-13	3/4-16HSN	1-15
2-689-010028	1-13	303-022	1-31
2-689-010041	1-17	303-028	1-31
2-689-010042	1-17	303-031	1-32
2-689-010045	1-13	303-036	1-31
2-689-010046	1-13	303-064	1-31
2-689-010047	1-13	303-070	1-31
2-689-010052	1-13	303-071	1-31
2-689-010053	1-13	303-086	1-31



## TABLE OF CONTENTS

---

303-125 .....	1-31
303-162 .....	1-31
303-243 .....	1-31
303-265 .....	1-31
303-266 .....	1-31
303-280 .....	1-32
303-287 .....	1-31
303-295 .....	1-31
304-111 .....	1-31
315-122 .....	1-31
3-375-010371 .....	1-29
340-052 .....	1-31
340-152 .....	1-31
5/16-18 HFLN .....	1-17
5013 .....	1-15
516-22PTL .....	1-17
528933 .....	1-21, 1-27
528934 .....	1-21, 1-27
528938 .....	1-21, 1-27
6-102-010009 .....	1-29
6-557-010163 .....	1-3
7/16-14X2 HHCS .....	1-5
8010-4 .....	1-23
8-557-010095 .....	1-3
8-573-010084 .....	1-27

### **C**

---

CO-975-74-2000 .....	1-29
----------------------	------

### **F**

---

F-140 .....	1-3
F-306 .....	1-21

### **R**

---

RRT181X.5 .....	1-17
-----------------	------

Page Intentionally Blank





**Intertek**

Equipment from Landoll Corporation is built to exacting standards ensured by ISO 9001 registration at all Landoll manufacturing facilities.

## Model 2000 Series Row Crop Cultivator Parts Manual

Re-Order Part Number F-247-0512

### **LANDOLL CORPORATION**

1900 North Street

Marysville, Kansas 66508

(785) 562-5381

**800-428-5655 ~ WWW.LANDOLL.COM**



Copyright 2010. Landoll Corporation

"All rights reserved, including the right to reproduce this material or portions thereof in any form"